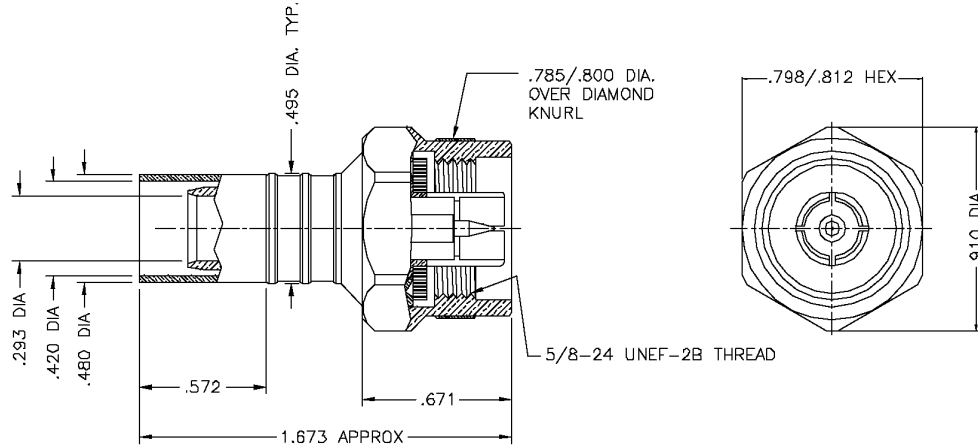


THE REVISION STATUS OF ALL SHEETS OF THIS DRAWING IS THE SAME AS SHEET 1

LTR	DESCRIPTION	DATE	BY
-	Released	8/15/97	JCL
A	Updated to Unified Design	10/2/06	JCL



I. MATERIALS & FINISHES

center contact: Gold Plated Beryllium Copper
 outer contact: Alballoy Plated Brass
 body: Alballoy Plated Brass
 coupling nut: Alballoy Plated Brass
 crimp sleeve: Alballoy Plated Copper
 dielectric: Teflon® PTFE
 gasket: Silicone Rubber
 shrink sleeve: Adhesive Lined Polyolefin
 crimp size: .429" hex

II. ELECTRICAL PROPERTIES

impedance: 50 ohms
 working voltage: 1000 vrms (max)
 vswr: 1.25:1 (max) up to 3GHz
 insertion loss: 0.1 x √Fghz

Unless otherwise specified, dimensions are in inches. Tolerances are applicable when specified.

These drawings and specifications contain proprietary information which is the property of Times Microwave Systems.

Approvals		
Drawn	JCL	8/15/97
Check		
Prj. Mgr.		
Prd. Mgr.		
QA Mgr.		

TIMES MICROWAVE SYSTEMS
 Wallingford, CT 06492
 (203) 949-8400; (203) 949-8423.Fax
 www.timesmicrowave.com

EZ-400-NMH-PL-D		
Type N Male (plug) – Non-solder pin for LMR-400 Cable Type(s)		
Size A	CAGE CODE 68999	Drawing No.: 3190-602
Scale: NA	Rev. (A)	Sheet: 1 of 1