

WR-19 Waveguide Continuously Variable Attenuator, 0 to 30 dB, From 40 GHz to 60 GHz, UG-383/U-Mod Round Cover Flange, Dial

TECHNICAL DATA SHEET

PE-W19AT001-30

Pasternack's Continuously Variable Waveguide Attenuators are offered for the frequency range of 33 to 110 GHz in five waveguide bands. The attenuation value of the Continuously Variable attenuators are from 0 to 30 dB with full waveguide operational bandwidth. The Continuously Variable attenuators are equipped with a micrometer, which enables rapid re-setting. With calibrated charts, attenuators can be used as direct reading attenuator for bench top test set use. The level setting attenuators are typically used in the test setups and prototype assemblies where certain attenuation is required.

- U-Band
- Rugged waveguide configuration
- Full band operation
- Up to 30 dB attenuation
- Low cost

Configuration

Design	Continuously Variable Attenuator
Waveguide	WR-19
Flange	UG-383/U-Mod
Body Material and Plating	Copper, Gold

Electrical Specifications Values at 25°C, sea level

Description	Minimum	Typical	Maximum	Units
Frequency Range	40		60	GHz
Impedance		50		Ohms
Typical Attenuation Value	0		30	dB
Insertion Loss			0.6	dB
Input Power			0.5	Watts

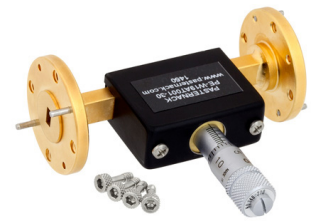
Mechanical Specifications

Description	Flange 1	Waveguide	Flange 2
Interface	UG-383/U-Mod	WR-19	UG-383/U-Mod
Material	Copper	Copper	Copper
Plating	Gold	Gold	Gold
Color	GLD	GLD	GLD

Size

Length	2.5 in [63.5 mm]
Width	1.125 in [28.58 mm]
Height	2.5625 in [65.09 mm]
Weight	0.223 lbs [101.15 g]

Click the following link (or enter part number in "SEARCH" on website) to obtain additional part information including price, inventory and certifications: [WR-19 Waveguide Continuously Variable Attenuator, 0 to 30 dB, From 40 GHz to 60 GHz, UG-383/U-Mod Round Cover Flange, Dial PE-W19AT001-30](#)



WR-19 Waveguide Continuously Variable
Attenuator, 0 to 30 dB, From 40 GHz to 60 GHz,
UG-383/U-Mod Round Cover Flange, Dial

TECHNICAL DATA SHEET

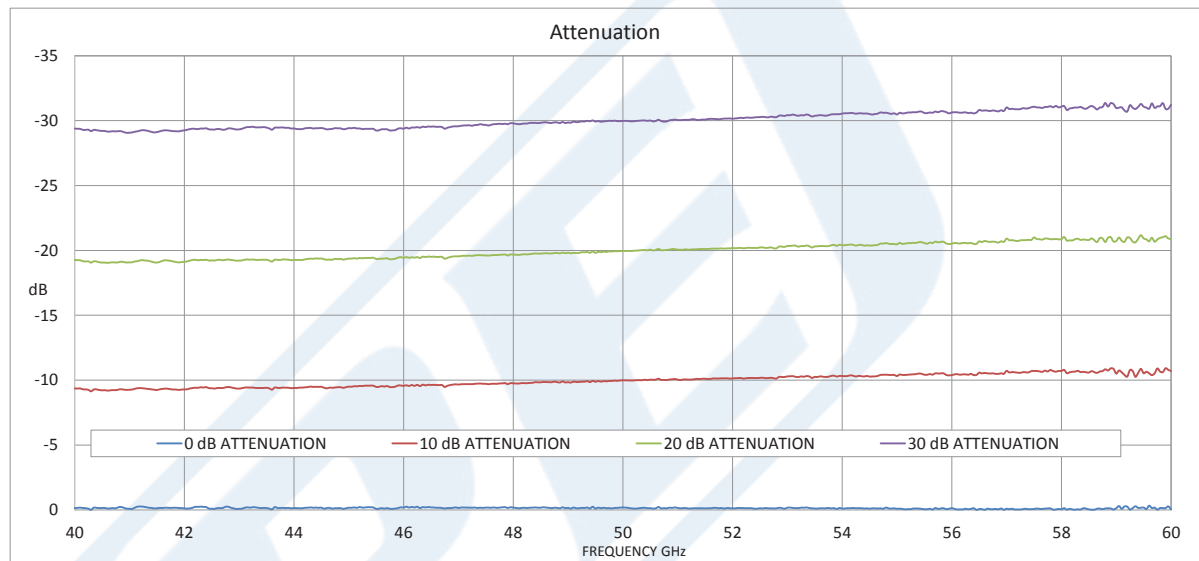
PE-W19AT001-30

Compliance Certifications (see [product page](#) for current document)

Plotted and Other Data

Notes:

- Values at 25 °C, sea level



WR-19 Waveguide Continuously Variable Attenuator, 0 to 30 dB, From 40 GHz to 60 GHz, UG-383/U-Mod Round Cover Flange, Dial from Pasternack Enterprises has same day shipment for domestic and International orders. Our RF, microwave and millimeter wave products maintain a 99.4% availability and are part of the broadest selection in the industry.

Click the following link (or enter part number in "SEARCH" on website) to obtain additional part information including price, inventory and certifications: [WR-19 Waveguide Continuously Variable Attenuator, 0 to 30 dB, From 40 GHz to 60 GHz, UG-383/U-Mod Round Cover Flange, Dial PE-W19AT001-30](#)

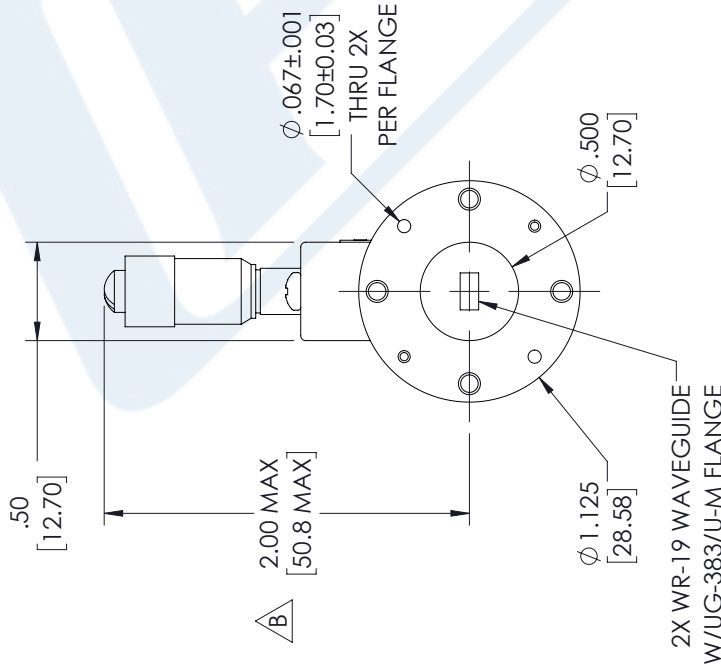
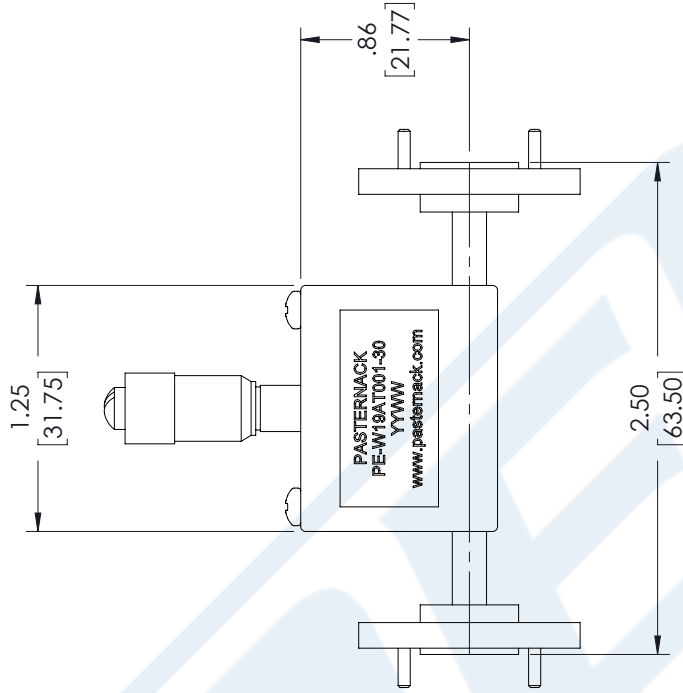
URL: <https://www.pasternack.com/30-db-waveguide-continuously-variable-attenuator-wr-19-60-ghz-pe-w19at001-30-p.aspx>

The information contained in this document is accurate to the best of our knowledge and representative of the part described herein. It may be necessary to make modifications to the part and/or the documentation of the part, in order to implement improvements. Pasternack reserves the right to make such changes as required. Unless otherwise stated, all specifications are nominal. Pasternack does not make any representation or warranty regarding the suitability of the part described herein for any particular purpose, and Pasternack does not assume any liability arising out of the use of any part or documentation.

PE-W19AT001-30 CAD Drawing

WR-19 Waveguide Continuously Variable Attenuator, 0 to 30 dB, From 40 GHz to 60 GHz, UG-383/U-Mod Round Cover Flange, Dial

REVISIONS			
REV.	DESCRIPTION	DATE	APPROVED
B	PCR PE-W19AT001-30 20220601	6/7/2022	DRIVAS



UNLESS OTHERWISE SPECIFIED LEADING DIMENSIONS ARE INCHES DIMENSIONS IN [] ARE MILLIMETERS

TOLERANCES:

.X = ±.2	[5.08]	FRACTIONS
.XX = ±.02	[.51]	± 1/32
.XXX = ±.005	[.13]	ANGLES ± 1°

CABLE LENGTH (L) TOLERANCES:

L ≤ 12	[305]	= +1 [25] / -0
12 [305] < L ≤ 60	[1524]	= +2 [51] / -0
60 [1524] < L ≤ 120	[3048]	= +4 [102] / -0
120 [3048] < L ≤ 300	[7620]	= +6 [152] / -0
300 [7620] < L		= +5%L / -0

ALL DIMENSIONS SHOWN ARE FOR REFERENCE ONLY.

THIRD-ANGLE PROJECTION

THE INFORMATION AND DESIGN IN THIS DOCUMENT IS THE PROPERTY OF PASTERNAK CORPORATION ALL RIGHTS RESERVED.

SHEET 1 OF 1

SCALE N/A

REV B

ITEM NO. PE-W19AT001-30

SIZE A

CAGE CODE 53919

DRAWN BY HBAKKE

REV B

PE PASTERNAK
an INFINITI® brand

Pasternack Enterprises, Inc.
P.O. Box 16759, Irvine, CA 92623.
Phone: 1.949.261.1920 | 1.866.727.8376
Fax: 1.949.261.7451
Website: www.pasternack.com
E-mail: sales@pasternack.com

THESE COMMODITIES, TECHNOLOGY OR SOFTWARE WERE EXPORTED FROM THE UNITED STATES IN ACCORDANCE WITH THE EXPORT ADMINISTRATION REGULATIONS. DIVERSION CONTRARY TO U.S. LAW PROHIBITED.