



## 4-40 Zinc Plated Nut in 100 Each Packages

### TECHNICAL DATA SHEET

**PE1009**

#### 4-40 Zinc Plated Nut in 100 Each Packages

##### Configuration

Description	Nut
Hex Size, in.	1/4
Pieces Per Package	100

**Compliance Certifications** (visit [www.Pasternack.com](http://www.Pasternack.com) for current document)

##### Plotted and Other Data

Notes: Values at 25 °C, sea level

4-40 Zinc Plated Nut in 100 Each Packages from Pasternack Enterprises has same day shipment for domestic and International orders. Our RF, microwave and fiber optic products maintain a 99% availability and are part of the broadest selection in the industry.

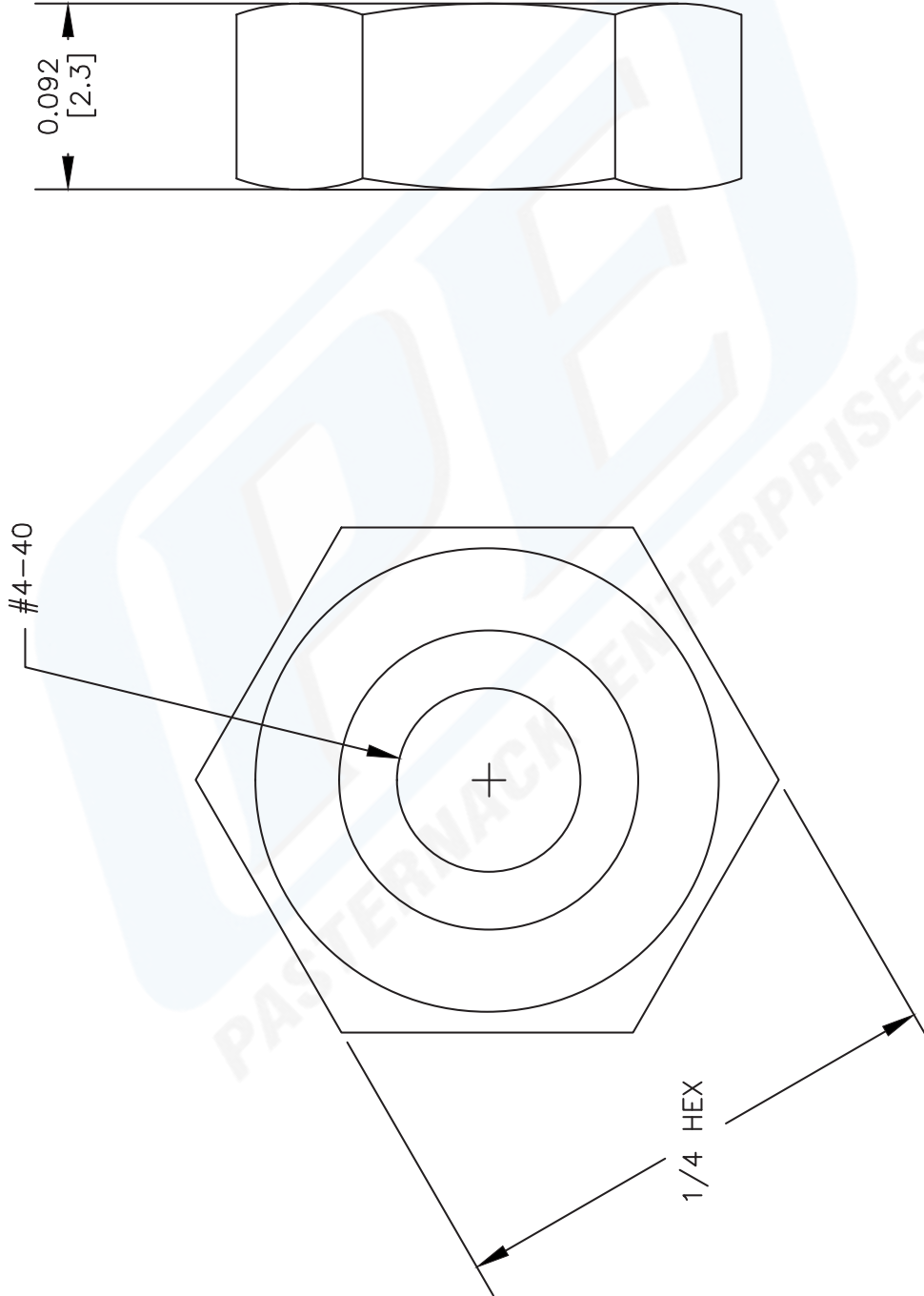
Click the following link (or enter part number in "SEARCH" on website) to obtain additional part information including price, inventory and certifications: [4-40 Zinc Plated Nut in 100 Each Packages PE1009](http://www.pasternack.com/4-40-zinc-plated-nut-in-100-pe1009-p.aspx)

URL: <http://www.pasternack.com/4-40-zinc-plated-nut-in-100-pe1009-p.aspx>

The information contained in this document is accurate to the best of our knowledge and representative of the part described herein. It may be necessary to make modifications to the part and/or the documentation of the part, in order to implement improvements. Pasternack reserves the right to make such changes as required. Unless otherwise stated, all specifications are nominal.

# PE1009 CAD Drawing

## 4-40 Zinc Plated Nut in 100 Each Packages



**NOTES:**  
 1. UNLESS OTHERWISE SPECIFIED ALL DIMENSIONS ARE NOMINAL.  
 2. ALL SPECIFICATIONS ARE SUBJECT TO CHANGE WITHOUT NOTICE AT ANY TIME.  
 3. DIMENSIONS ARE IN INCHES [mm].

DWG TITLE  
**PE1009**

FSCM NO. **53919**

CAD FILE 050603

SCALE N/A

SIZE A

XXXX

**PE PASTERNAK®**  
 Pasternack Enterprises, Inc.  
 P.O. Box 16759 | Irvine | CA | 92623  
**Phone:** (949) 261-1920 | **Fax:** (949) 261-7451  
**Website:** www.pasternack.com | **E-Mail:** sales@pasternack.com