



3.5mm Male to 3.5mm Female Test Cable 36 Inch Length Using VNA Test Cable Coax, LF Solder, RoHS

RF Cable Assemblies Technical Data Sheet

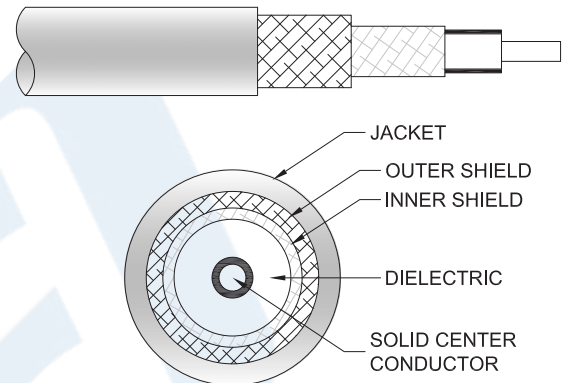
PE317-36

Configuration

- Connector 1: 3.5mm Male
- Connector 2: 3.5mm Female
- Cable Type: VNA Cable

Features

- Max Frequency 26.5 GHz
- 77% Phase Velocity
- Double Shielded
- FEP Jacket



Applications

- General Purpose
- Test & Measurement
- Laboratory Use

Description

Pasternack's PE317-36 3.5mm male to 3.5mm female test 36 inch cable using VNA test cable coax is part of our full line of RF components available for same-day shipping. Pasternack's flexible RF cable assemblies are ideal for applications where tight bends and flexure are required. This Pasternack 3.5mm to 3.5mm cable assembly has a male to female gender configuration with 50 ohm flexible VNA cable coax. The PE317-36 3.5mm male to 3.5mm female cable assembly operates to 26.5 GHz. The double shielding of this Pasternack cable assembly provides excellent shielding effectiveness.

Custom versions of most RF cable assemblies can be built and shipped same day. Custom cable assembly lengths can be obtained by specifying the desired length on the web site at time of order or by contacting a sales representative. Other available RF cable assembly value added services include connector orientation or clocking, heat shrink booting and custom labeling. RF testing can also be performed to document the electrical performance of your cable assembly.

Click the following link (or enter part number in "SEARCH" on website) to obtain additional part information including price, inventory and certifications: [3.5mm Male to 3.5mm Female Test Cable 36 Inch Length Using VNA Test Cable Coax, LF Solder, RoHS PE317-36](#)



3.5mm Male to 3.5mm Female Test Cable 36 Inch Length Using VNA Test Cable Coax, LF Solder, RoHS

RF Cable Assemblies Technical Data Sheet

PE317-36

Electrical Specifications

| Description | Minimum | Typical | Maximum | Units |
|--------------------------------------|---------|---------|---------|-------|
| Frequency Range | DC | | 26.5 | GHz |
| Return Loss | | | -18 | dB |
| Velocity of Propagation | | 77 | | % |
| Dielectric Withstanding Voltage (AC) | | | 1,000 | Vrms |

Specifications by Frequency

| Description | F1 | F2 | F3 | F4 | F5 | Units |
|-----------------------|------|------|-----|------|----|-------|
| Frequency | 1 | 10 | 18 | 26.5 | | GHz |
| Insertion Loss (Max.) | 0.24 | 0.87 | 1.2 | 1.5 | | |
| Return Loss (Max.) | -30 | -25 | -20 | -18 | | dB |
| Power Handling (Max.) | | 286 | | | | W |

Electrical Specification Notes:

Shielding effectiveness > 100 dB at 1 GHz.

Insertion loss does not include the loss of the connectors.

Insertion loss is estimated as $0.05 \times \sqrt{f(\text{GHz})}$ dB per connector.

Mechanical Specifications

Cable Assembly

Weight 0.6 lbs [272.16 g]

Cable

Cable Type VNA Cable
 Impedance 50 Ohms
 Inner Conductor Type Solid
 Inner Conductor Material and Plating Copper, Silver
 Dielectric Type PTFE
 Number of Shields 2
 Shield Layer 1 Silver Plated Copper Tape
 Shield Layer 2 Silver Plated Copper Braid
 Jacket Material FEP

Repeated Minimum Bend Radius 1.38 in [35.05 mm]

Typical Flex Cycles 10,000

Click the following link (or enter part number in "SEARCH" on website) to obtain additional part information including price, inventory and certifications: [3.5mm Male to 3.5mm Female Test Cable 36 Inch Length Using VNA Test Cable Coax, LF Solder, RoHS PE317-36](#)



3.5mm Male to 3.5mm Female Test Cable 36 Inch Length
Using VNA Test Cable Coax, LF Solder, RoHS

RF Cable Assemblies Technical Data Sheet

PE317-36

Connectors

| Description | Connector 1 | Connector 2 |
|--------------------------------------|----------------------------|----------------------------|
| Type | 3.5mm Male | 3.5mm Female |
| Specification | MIL-STD-348 | MIL-STD-348 |
| Impedance | 50 Ohms | 50 Ohms |
| Contact Material and Plating | Gold | Gold |
| Dielectric Type | PPO | PPO |
| Outer Conductor Material and Plating | | Passivated Stainless Steel |
| Body Material and Plating | Passivated Stainless Steel | |
| Coupling Nut Material and Plating | Passivated Stainless Steel | |
| Hex Size | 5/16 inch | |
| Torque | 8 in-lbs [0.9 Nm] | |

Environmental Specifications

Temperature

Operating Range -55 to +165 deg C

Compliance Certifications (see [product page](#) for current document)

Plotted and Other Data

Notes:

- Values at 25°C, sea level.

Click the following link (or enter part number in "SEARCH" on website) to obtain additional part information including price, inventory and certifications: [3.5mm Male to 3.5mm Female Test Cable 36 Inch Length Using VNA Test Cable Coax, LF Solder, RoHS PE317-36](#)



3.5mm Male to 3.5mm Female Test Cable 36 Inch Length Using VNA Test Cable Coax, LF Solder, RoHS

RF Cable Assemblies Technical Data Sheet

PE317-36

How to Order

Part Number Configuration:

PE317

- xx

uu

Unit of Measure:

cm = Centimeters

<blank> = Inches

Length

Base Number

Example: PE317-12 = 12 inches long cable
PE317-100cm = 100 cm long cable

3.5mm Male to 3.5mm Female Test Cable 36 Inch Length Using VNA Test Cable Coax, LF Solder, RoHS from Pasternack Enterprises has same day shipment for domestic and International orders. Our RF, microwave and millimeter wave products maintain a 99.4% availability and are part of the broadest selection in the industry.

Click the following link (or enter part number in "SEARCH" on website) to obtain additional part information including price, inventory and certifications: [3.5mm Male to 3.5mm Female Test Cable 36 Inch Length Using VNA Test Cable Coax, LF Solder, RoHS PE317-36](https://www.pasternack.com/3.5mm-male-3.5mm-female-vna-cable-cable-assembly-pe317-36-p.aspx)

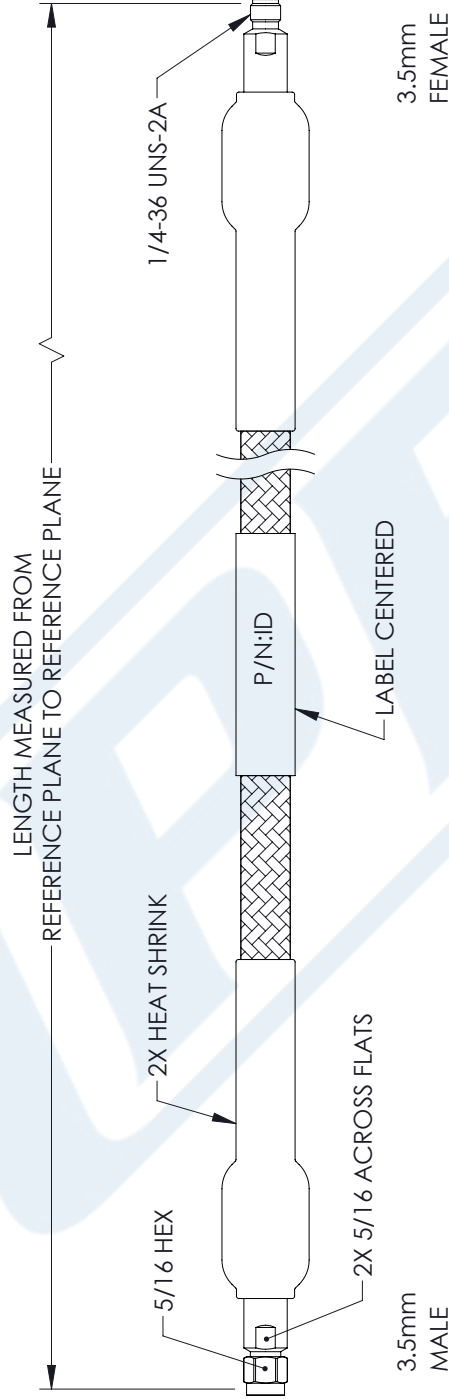
URL: <https://www.pasternack.com/3.5mm-male-3.5mm-female-vna-cable-cable-assembly-pe317-36-p.aspx>

The information contained in this document is accurate to the best of our knowledge and representative of the part described herein. It may be necessary to make modifications to the part and/or the documentation of the part, in order to implement improvements. Pasternack reserves the right to make such changes as required. Unless otherwise stated, all specifications are nominal. Pasternack does not make any representation or warranty regarding the suitability of the part described herein for any particular purpose, and Pasternack does not assume any liability arising out of the use of any part or documentation.

PE317-36 CAD Drawing

3.5mm Male to 3.5mm Female Test Cable 36 Inch Length Using VNA Test Cable Coax, LF Solder, RoHS

| REVISIONS | | |
|-----------|-------------------|---------------------|
| REV. | DESCRIPTION | DATE |
| B | PCR PE31720220630 | 07/11/2022 |
| | | APPROVED SRAUTUS |



| | |
|--|---------------------|
| UNLESS OTHERWISE SPECIFIED LEADING DIMENSIONS ARE INCHES DIMENSIONS IN [] ARE MILLIMETERS | |
| TOLERANCES: | FRACTIONS |
| .X = ±.2 | [5/16] ±.1/32 |
| .XX = ±.02 | [.51] ±.1/32 |
| .XXX = ±.005 | [.13] ANGLES ± 1° |
| CABLE LENGTH (L) TOLERANCES: | |
| L ≤ 12 [305] | = +1 [25] / -0 |
| 12 [305] < L ≤ 60 [1524] | = +2 [51] / -0 |
| 60 [1524] < L ≤ 120 [3048] | = +4 [102] / -0 |
| 120 [3048] < L ≤ 300 [7620] | = +6 [152] / -0 |
| 300 [7620] < L = +5%L / -0 | |
| ALL DIMENSIONS SHOWN ARE FOR REFERENCE ONLY. | |

PE PASTERNAK
an INFINITI[®] brand

Pasternack Enterprises, Inc.
P. O. Box 16759, Irvine, CA 92623.
Phone: 1.949.261.1920 | 1.866.727.8376
Fax: 1.949.261.7451
Website: www.pasternack.com
E-mail: sales@pasternack.com

THIRD-ANGLE PROJECTION

THE INFORMATION AND DESIGN IN THIS DOCUMENT IS THE PROPERTY OF PASTERNAK CORPORATION. ALL RIGHTS RESERVED.

SHEET 1 OF 1

SCALE N/A

| | | | | | |
|------|-----------|----------|----------|-----|--|
| SIZE | CAGE CODE | DRAWN BY | ITEM NO. | REV | |
| A | 53919 | DZINN | PE317 | B | |

THESE COMMODITIES, TECHNOLOGY OR SOFTWARE WERE EXPORTED FROM THE UNITED STATES IN ACCORDANCE WITH THE EXPORT ADMINISTRATION REGULATIONS. DIVERSION CONTRARY TO U.S. LAW PROHIBITED.