



75 Ohm F Male to 75 Ohm F Female Bulkhead
Cable Using 75 Ohm RG179 Coax

TECHNICAL DATA SHEET

PE36344

Configuration

Connector 1	F Male
Connector 2	F Female Bulkhead
Cable Type	RG179
Impedance	75 Ohms

Mechanical Specifications

Size

Diameter	0.509 in [12.93 mm]
Weight	0.127 lbs [57.61 g]
Cable Color	Tan

Cable

Cable Type	RG179
Inner Conductor Type	Stranded
Cable Inner Conductor	Copper Clad Steel, Silver
No of Shields	1
Dielectric Type	PTFE
Jacket Material	FEP
Jacket Diameter	0.1 in [2.54 mm]

Connector 1

Type	F Male
Configuration	Straight
Inner Conductor Material and Plating	Brass, Gold
Coupling Nut Material and Plating	Brass, Nickel
Coupling Nut Plating Specification	100µ in. minimum
Hex Size	7/16 in
Torque	15 in-lbs [1.7 Nm]
Body Material and Plating	Brass, Nickel
Body Plating Specification	100µ in. minimum
Dielectric Type	Teflon

Connector 2

Type	F Female Bulkhead
Configuration	Straight
Mount Method	Bulkhead
Inner Conductor Material and Plating	Phosphor Bronze, Gold
Inner Conductor Plating Specification	30µ in. minimum
Body Material and Plating	Brass, Nickel
Body Plating Specification	100µ in. minimum
Dielectric Type	Teflon

Compliance Certifications (visit www.Pasternack.com for current document)

For RoHS Compliant version, use PE36344LF. Contact Pasternack if product cannot be found.

Click the following link (or enter part number in "SEARCH" on website) to obtain additional part information including price, inventory and certifications: [75 Ohm F Male to 75 Ohm F Female Bulkhead Cable Using 75 Ohm RG179 Coax PE36344](#)



75 Ohm F Male to 75 Ohm F Female Bulkhead
Cable Using 75 Ohm RG179 Coax

TECHNICAL DATA SHEET

PE36344

REACH Compliant

12/19/2011

Plotted and Other Data

Notes:

- Values at +25 °C, sea level

How to Order

Part Number Configuration:

PE36344

- **xx**

uu

Unit of Measure:
cm = Centimeters
<blank> = Inches
Length
Base Number

Example: PE36344-12 = 12 inches long cable
PE36344-100cm = 100 cm long cable

75 Ohm F Male to 75 Ohm F Female Bulkhead Cable Using 75 Ohm RG179 Coax from Pasternack Enterprises has same day shipment for domestic and International orders. Our RF, microwave and millimeter wave products maintain a 99% availability and are part of the broadest selection in the industry.

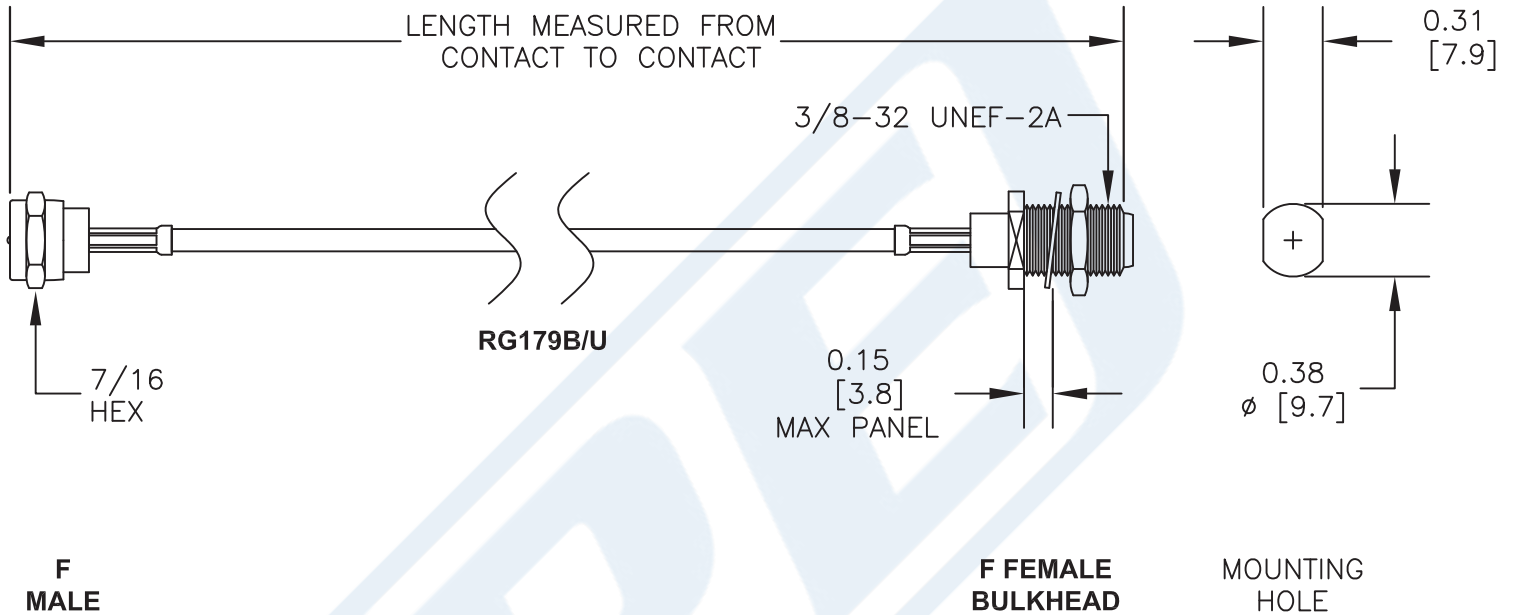
Click the following link (or enter part number in "SEARCH" on website) to obtain additional part information including price, inventory and certifications: [75 Ohm F Male to 75 Ohm F Female Bulkhead Cable Using 75 Ohm RG179 Coax PE36344](http://www.pasternack.com/f-male-f-female-rg179bu-cable-assembly-pe36344-p.aspx)

URL: <http://www.pasternack.com/f-male-f-female-rg179bu-cable-assembly-pe36344-p.aspx>

The information contained in this document is accurate to the best of our knowledge and representative of the part described herein. It may be necessary to make modifications to the part and/or the documentation of the part, in order to implement improvements. Pasternack reserves the right to make such changes as required. Unless otherwise stated, all specifications are nominal. Pasternack does not make any representation or warranty regarding the suitability of the part described herein for any particular purpose, and Pasternack does not assume any liability arising out of the use of any part or documentation.

PE36344 CAD Drawing

75 Ohm F Male to 75 Ohm F Female Bulkhead Cable Using 75 Ohm RG179 Coax



Pasternack Enterprises, Inc.
P.O. Box 16759 | Irvine | CA | 92623

Phone: (949) 261-1920 | Fax: (949) 261-7451

Website: www.pasternack.com | E-Mail: sales@pasternack.com

NOTES:

1. UNLESS OTHERWISE SPECIFIED ALL DIMENSIONS ARE NOMINAL.
2. ALL SPECIFICATIONS ARE SUBJECT TO CHANGE WITHOUT NOTICE AT ANY TIME.
3. DIMENSIONS ARE IN INCHES [mm].
4. LENGTH TOLERANCE IS $\pm 1.5\%$ OR $3/8"$, WHICHEVER IS GREATER.

DWG TITLE

PE36344

FSCM NO. 53919

CAD FILE 082411

SCALE N/A

SIZE A

2231