



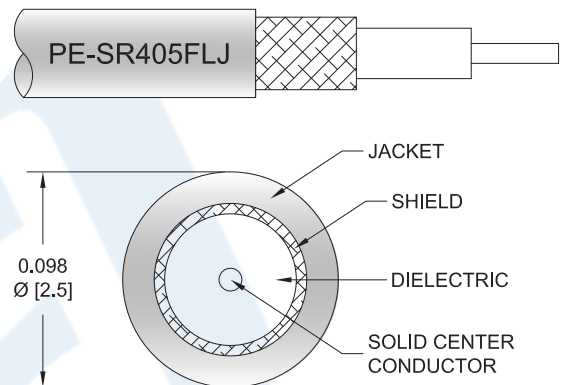
SMA Female Bulkhead to MMCX Plug Right Angle
Cable Using PE-SR405FLJ Coax

RF Cable Assemblies Technical Data Sheet

PE39436

Configuration

- Connector 1: SMA Female Bulkhead
- Connector 2: MMCX Plug Right Angle
- Cable Type: PE-SR405FLJ



Electrical Specifications

Description	Minimum	Typical	Maximum	Units
Frequency Range	DC		6	GHz
Velocity of Propagation		69.5		%
RF Shielding	100			dB
Group Delay		1.43 [4.69]		ns/ft [ns/m]
Capacitance		29 [95.14]		pF/ft [pF/m]

Specifications by Frequency

Description	F1	F2	F3	F4	F5	Units
Frequency	0.25	0.5	1	2.5	6	GHz
Insertion Loss (Max.)	1.07	1.14	1.2	1.29	1.5	dB/ft
	3.51	3.74	3.94	4.23	4.92	dB/m
						dB/m

Electrical Specification Notes:
 Insertion loss does not include the loss of the connectors.
 Insertion loss is estimated as 0.05 x sqrt(fGHz) dB per connector.

Mechanical Specifications

Cable Assembly

Diameter 0.433 in [11 mm]

Click the following link (or enter part number in "SEARCH" on website) to obtain additional part information including price, inventory and certifications: [SMA Female Bulkhead to MMCX Plug Right Angle Cable Using PE-SR405FLJ Coax PE39436](#)



SMA Female Bulkhead to MMCX Plug Right Angle
Cable Using PE-SR405FLJ Coax

RF Cable Assemblies Technical Data Sheet

PE39436

Weight	0.014 lbs [6.35 g]
Cable	
Cable Type	PE-SR405FLJ
Impedance	50 Ohms
Inner Conductor Type	Solid
Inner Conductor Material and Plating	Copper Clad Steel, Silver
Dielectric Type	PTFE
Number of Shields	1
Outer Conductor Material and Plating	Tinned Copper Braid
Jacket Material	FEP, Black
Jacket Diameter	0.098 in [2.49 mm]
One Time Minimum Bend Radius	0.236 in [5.99 mm]
Repeated Minimum Bend Radius	0.787 in [19.99 mm]

Connectors

Description	Connector 1	Connector 2
Type	SMA Female Bulkhead	MMCX Plug Right Angle
Impedance	50 Ohms	50 Ohms
Contact Material and Plating	Beryllium Copper, Gold over Nickel	Phosphor Bronze, Gold over Nickel
Dielectric Type	PTFE	PTFE
Body Material and Plating	Brass, Gold over Nickel	Brass, Gold over Nickel

Mechanical Specification Notes:

*All cable assemblies have a length tolerance of 1.5% or $\pm 3/8"$, whichever is greater.

Compliance Certifications (see [product page](#) for current document)

Plotted and Other Data

Notes:

Click the following link (or enter part number in "SEARCH" on website) to obtain additional part information including price, inventory and certifications: [SMA Female Bulkhead to MMCX Plug Right Angle Cable Using PE-SR405FLJ Coax PE39436](#)



SMA Female Bulkhead to MMCX Plug Right Angle
Cable Using PE-SR405FLJ Coax

RF Cable Assemblies Technical Data Sheet

PE39436

How to Order

Part Number Configuration:

PE39436

- **xx**

uu

Unit of Measure:
cm = Centimeters
<blank> = Inches
Length
Base Number

Example: PE39436-12 = 12 inches long cable
PE39436-100cm = 100 cm long cable

SMA Female Bulkhead to MMCX Plug Right Angle Cable Using PE-SR405FLJ Coax from Pasternack Enterprises has same day shipment for domestic and International orders. Our RF, microwave and millimeter wave products maintain a 99.4% availability and are part of the broadest selection in the industry.

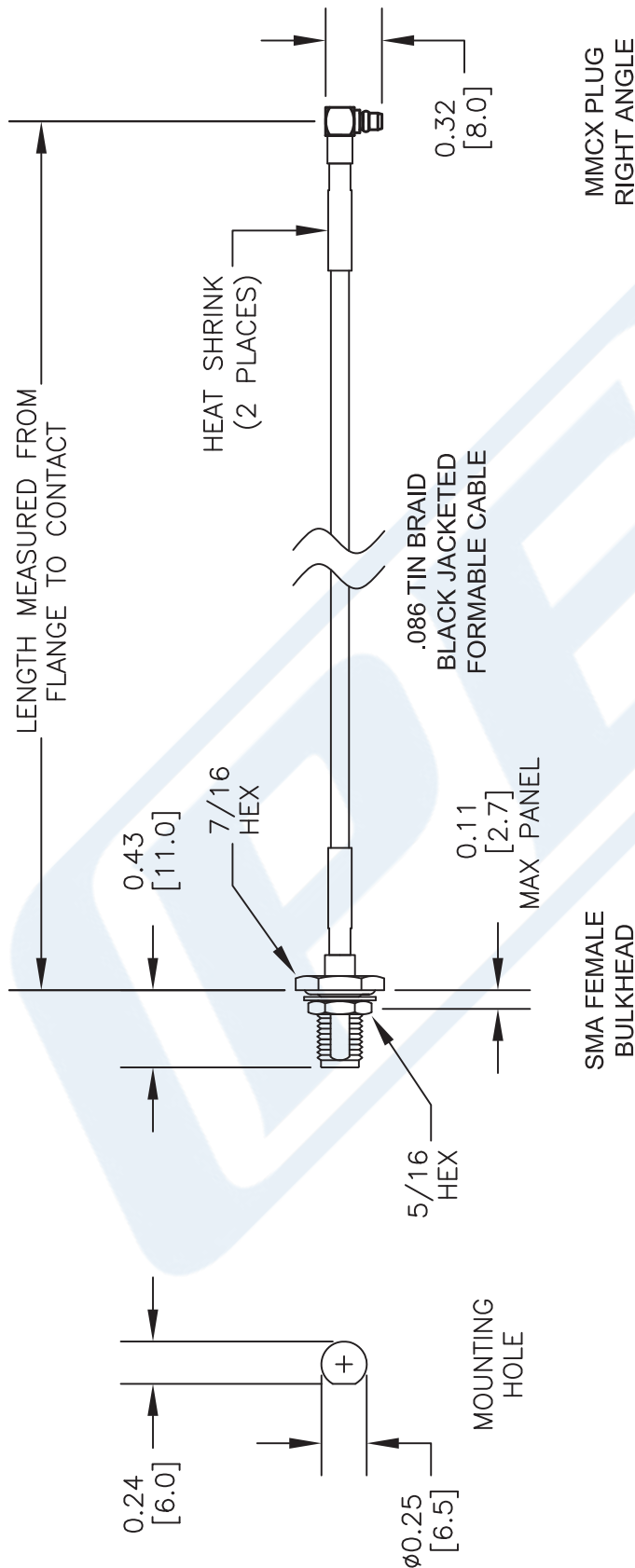
Click the following link (or enter part number in "SEARCH" on website) to obtain additional part information including price, inventory and certifications: [SMA Female Bulkhead to MMCX Plug Right Angle Cable Using PE-SR405FLJ Coax PE39436](https://www.pasternack.com/sma-female-mmcx-plug-pe-sr405flj-cable-assembly-pe39436-p.aspx)

URL: <https://www.pasternack.com/sma-female-mmcx-plug-pe-sr405flj-cable-assembly-pe39436-p.aspx>

The information contained in this document is accurate to the best of our knowledge and representative of the part described herein. It may be necessary to make modifications to the part and/or the documentation of the part, in order to implement improvements. Pasternack reserves the right to make such changes as required. Unless otherwise stated, all specifications are nominal. Pasternack does not make any representation or warranty regarding the suitability of the part described herein for any particular purpose, and Pasternack does not assume any liability arising out of the use of any part or documentation.

PE39436 CAD Drawing

SMA Female Bulkhead to MMCX Plug Right Angle Cable Using PE-SR405FLJ Coax



STANDARD TOLERANCES

.X ±0.2
.XX ±0.1
.XXX ±0.05

*STANDARD TOLERANCES APPLY ONLY TO DIMENSIONS IN INCHES



PASTERNAK
THE ENGINEER'S RF SOURCE
Pasternack Enterprises, Inc.
P.O. Box 16759 | Irvine | CA | 92623
Phone: (949) 261-1920 | Fax: (949) 261-7451
Website: www.pasternack.com | E-Mail: sales@pasternack.com

DWG TITLE

PE39436

CAGE CODE 53919

CAD FILE 041317

SCALE N/A

SIZE A

2233

NOTES:
1. UNLESS OTHERWISE SPECIFIED ALL DIMENSIONS ARE NOMINAL.
2. ALL SPECIFICATIONS ARE SUBJECT TO CHANGE WITHOUT NOTICE AT ANY TIME.
3. DIMENSIONS ARE IN INCHES [mm].
4. LENGTH TOLERANCE IS ± 1.5% OR 3/8", WHICHEVER IS GREATER.