



SMA Male Right Angle to TNC Female Bulkhead Semi-Flexible Precision Cable Using PE-SR405FL Coax , LF Solder

RF Cable Assemblies Technical Data Sheet

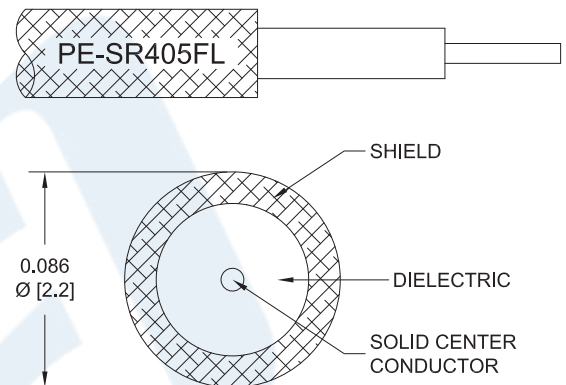
PE39476

Configuration

- Connector 1: SMA Male Right Angle
- Connector 2: TNC Female Bulkhead
- Cable Type: PE-SR405FL

Features

- Max Frequency 6 GHz
- 69.5% Phase Velocity
- Dimensionally and electrically the same as standard, solid outer conductor semi-rigid coax
- Cable may be formed by hand and does not require special tools to bend
- May be formed more than once without damaging the outer conductor
- High RF Shielding >100 dB
- 100% Hi-pot and continuity tested
- 100% VSWR tested to max frequency of assembly
- Standard and custom lengths ship the same day



Applications

- General Purpose
- Laboratory Use

Description

Pasternack's PE39476 SMA male right angle to TNC female bulkhead cable using PE-SR405FL coax is part of our full line of RF components available for same-day shipping. Pasternack's formable RF cable assemblies provide an alternative to costly pre-formed semi-rigid assemblies since they are hand formable. This Pasternack SMA to TNC cable assembly has a male to female gender configuration with 50 ohm formable PE-SR405FL coax. The PE39476 SMA male to TNC female cable assembly operates to 6 GHz. The right angle SMA interface on the PE-SR405FL cable allows for easier connections in tight spaces. Our RF cable assembly with TNC bulkhead interface allows designers to create external connections on their product enclosures, and can be used in a variety of other rack mount and panel mount applications.

Custom versions of most RF cable assemblies can be built and shipped same day. Custom cable assembly lengths can be obtained by specifying the desired length on the web site at time of order or by contacting a sales representative. Other available RF cable assembly value added services include connector orientation or clocking, heat shrink booting and custom labeling. RF testing can also be performed to document the electrical performance of your cable assembly.

Click the following link (or enter part number in "SEARCH" on website) to obtain additional part information including price, inventory and certifications: [SMA Male Right Angle to TNC Female Bulkhead Semi-Flexible Precision Cable Using PE-SR405FL Coax , LF Solder PE39476](#)



SMA Male Right Angle to TNC Female Bulkhead Semi-Flexible Precision Cable Using PE-SR405FL Coax , LF Solder

RF Cable Assemblies Technical Data Sheet

PE39476

Electrical Specifications

Description	Minimum	Typical	Maximum	Units
Frequency Range	DC		6	GHz
Velocity of Propagation		69.5		%
Capacitance		29 [95.14]		pF/ft [pF/m]

Specifications by Frequency

Description	F1	F2	F3	F4	F5	Units
Frequency	0.25	0.5	1	2.5	6	GHz
Insertion Loss (Typ.)	0.256	0.313	0.425	0.547	0.802	dB/ft
	0.84	1.03	1.39	1.79	2.63	dB/m

Mechanical Specifications

Cable Assembly

Diameter	0.69 in [17.53 mm]
Weight	0.056 lbs [25.4 g]

Cable

Cable Type	PE-SR405FL
Impedance	50 Ohms
Inner Conductor Type	Solid
Inner Conductor Material and Plating	Copper Clad Steel, Silver
Dielectric Type	PTFE
Number of Shields	1
Shield Layer 1	Tinned Copper Braid

Click the following link (or enter part number in "SEARCH" on website) to obtain additional part information including price, inventory and certifications: [SMA Male Right Angle to TNC Female Bulkhead Semi-Flexible Precision Cable Using PE-SR405FL Coax , LF Solder PE39476](#)



SMA Male Right Angle to TNC Female Bulkhead Semi-Flexible Precision Cable Using PE-SR405FL Coax , LF Solder

RF Cable Assemblies Technical Data Sheet

PE39476

Connectors

Description	Connector 1	Connector 2
Type	SMA Male Right Angle	TNC Female Bulkhead
Impedance	50 Ohms	50 Ohms
Contact Material and Plating	Brass, Gold	Beryllium Copper, Gold
Dielectric Type	PTFE	PTFE
Body Material and Plating	Brass, Gold	Brass, Nickel
Coupling Nut Material and Plating	Passivated Stainless Steel	
Hex Size	5/16 in.	
Torque	8 in-lbs [0.9 Nm]	

Compliance Certifications (see [product page](#) for current document)

Plotted and Other Data

Notes:

- Values at 25°C, sea level.

Click the following link (or enter part number in "SEARCH" on website) to obtain additional part information including price, inventory and certifications: [SMA Male Right Angle to TNC Female Bulkhead Semi-Flexible Precision Cable Using PE-SR405FL Coax , LF Solder PE39476](#)



SMA Male Right Angle to TNC Female Bulkhead Semi-Flexible Precision Cable Using PE-SR405FL Coax , LF Solder

RF Cable Assemblies Technical Data Sheet

PE39476

How to Order

Part Number Configuration:

PE39476 - xx uu

Unit of Measure:
cm = Centimeters
<blank> = Inches
Length
Base Number

Example: PE39476-12 = 12 inches long cable
PE39476-100cm = 100 cm long cable

SMA Male Right Angle to TNC Female Bulkhead Semi-Flexible Precision Cable Using PE-SR405FL Coax , LF Solder from Pasternack Enterprises has same day shipment for domestic and International orders. Our RF, microwave and millimeter wave products maintain a 99.4% availability and are part of the broadest selection in the industry.

Click the following link (or enter part number in "SEARCH" on website) to obtain additional part information including price, inventory and certifications: [SMA Male Right Angle to TNC Female Bulkhead Semi-Flexible Precision Cable Using PE-SR405FL Coax , LF Solder PE39476](https://www.pasternack.com/sma-male-tnc-female-pe-sr405fl-cable-assembly-pe39476-p.aspx)

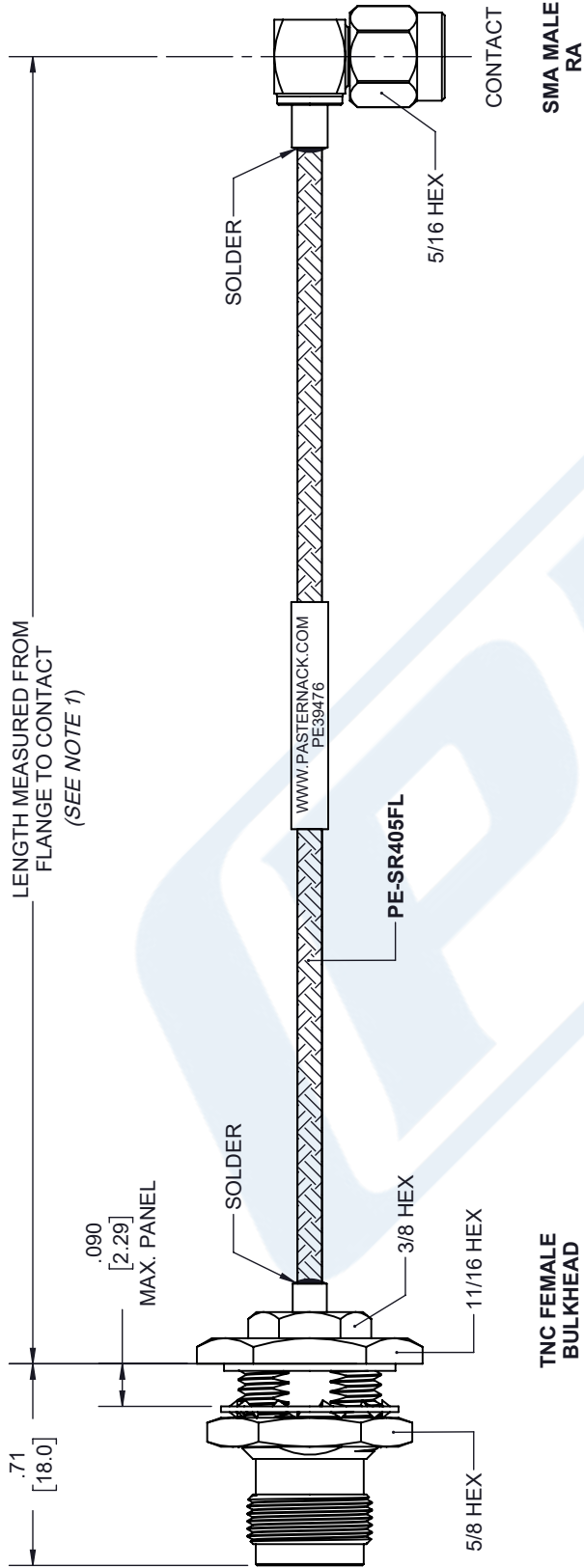
URL: <https://www.pasternack.com/sma-male-tnc-female-pe-sr405fl-cable-assembly-pe39476-p.aspx>

The information contained in this document is accurate to the best of our knowledge and representative of the part described herein. It may be necessary to make modifications to the part and/or the documentation of the part, in order to implement improvements. Pasternack reserves the right to make such changes as required. Unless otherwise stated, all specifications are nominal. Pasternack does not make any representation or warranty regarding the suitability of the part described herein for any particular purpose, and Pasternack does not assume any liability arising out of the use of any part or documentation.

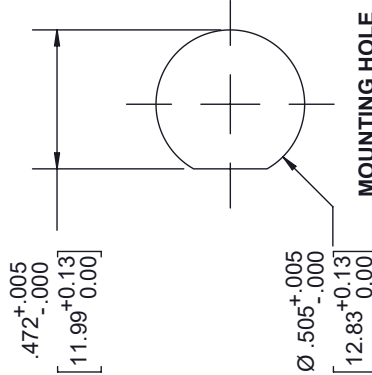
PE39476 CAD Drawing

SMA Male Right Angle to TNC Female Bulkhead Semi-Flexible
Precision Cable Using PE-SR405FL Coax , LF Solder

REVISIONS			
REV.	DESCRIPTION	DATE	APPROVED
A	PCR PE39476	12/16/2020	S. ELLIS



TNC FEMALE
BULKHEAD



NOTES:

1. CABLE LENGTH TOLERANCES:

2 - 5.9	± 0.125
6 - 11.9	± 0.187
12 - 23.9	± 0.250
24 - 35.9	± 0.313
36 - 47.9	± 0.375

UNLESS OTHERWISE SPECIFIED
LEADING DIMENSIONS ARE INCHES
DIMENSIONS IN [] ARE MILLIMETERS

TOLERANCES:
 .X = ±.2 [5.08] FRACTIONS ± 1/32
 .XX = ±.02 [.51] ANGLES ± 1°
 .XXX = ±.005 [.13]
 CABLE LENGTH (L), TOLERANCES:
 L ≤ 12 [305] = +1 [25] / -0
 12 [305] < L ≤ 60 [1524] = +2 [51] / -0
 60 [1524] < L ≤ 120 [3048] = +4 [102] / -0
 120 [3048] < L ≤ 300 [7620] = +6 [152] / -0
 300 [7620] < L = +5% / -0
 ALL DIMENSIONS SHOWN
 ARE FOR REFERENCE ONLY.

THIRD-ANGLE PROJECTION

THE INFORMATION AND
DESIGN IN THIS DOCUMENT
IS THE PROPERTY OF
PASTERNAK CORPORATION
ALL RIGHTS RESERVED.

SHEET 1 OF 1

SCALE N/A

REV A



Pasternack Enterprises, Inc.
P. O. Box 16759, Irvine, CA 92623.
Phone: 1.949.261.1920 | 1.866.727.8376
Fax: 1.949.261.7451
Website: www.pasternack.com
E-mail: sales@pasternack.com

SIZE A CAGE CODE 53919 DRAWN BY K.DANG ITEM NO. PE39476