



0 to 30 dB Dial Step Attenuator, SMA Female To SMA Female With 1 dB Step Rated To 2 Watts Up To 2.7 GHz

TECHNICAL DATA SHEET

PE7397

Configuration

Design	Step Attenuator
Connector 1	SMA Female
Connector 2	SMA Female

Electrical Specifications * Values at 25°C, sea level

Description	Minimum	Typical	Maximum	Units
Frequency Range	DC		2.7	GHz
Impedance		50		Ohms
Attenuation Value		0 to 30		dB
Step Size		1		dB
Step Type		Dial		
Accuracy Statement	+ / - .5 dB or 3 % whichever is greater			
Input Power			2	Watts
Peak Power			1	KWatts
VSWR			1.8:1	

Mechanical Specifications

Connectors

Description	Connector 1	Connector 2
Type	SMA Female	SMA Female

Compliance Certifications (visit www.Pasternack.com for current document)

RoHS Compliant

Plotted and Other Data

Notes:

- Values at 25 °C, sea level

Click the following link (or enter part number in "SEARCH" on website) to obtain additional part information including price, inventory and certifications: [0 to 30 dB Dial Step Attenuator, SMA Female To SMA Female With 1 dB Step Rated To 2 Watts Up To 2.7 GHz PE7397](#)



0 to 30 dB Dial Step Attenuator, SMA Female To SMA
Female With 1 dB Step Rated To 2 Watts Up To 2.7 GHz

TECHNICAL DATA SHEET

PE7397

0 to 30 dB Dial Step Attenuator, SMA Female To SMA Female With 1 dB Step Rated To 2 Watts Up To 2.7 GHz from Pasternack Enterprises has same day shipment for domestic and International orders. Our RF, microwave and millimeter wave products maintain a 99% availability and are part of the broadest selection in the industry.

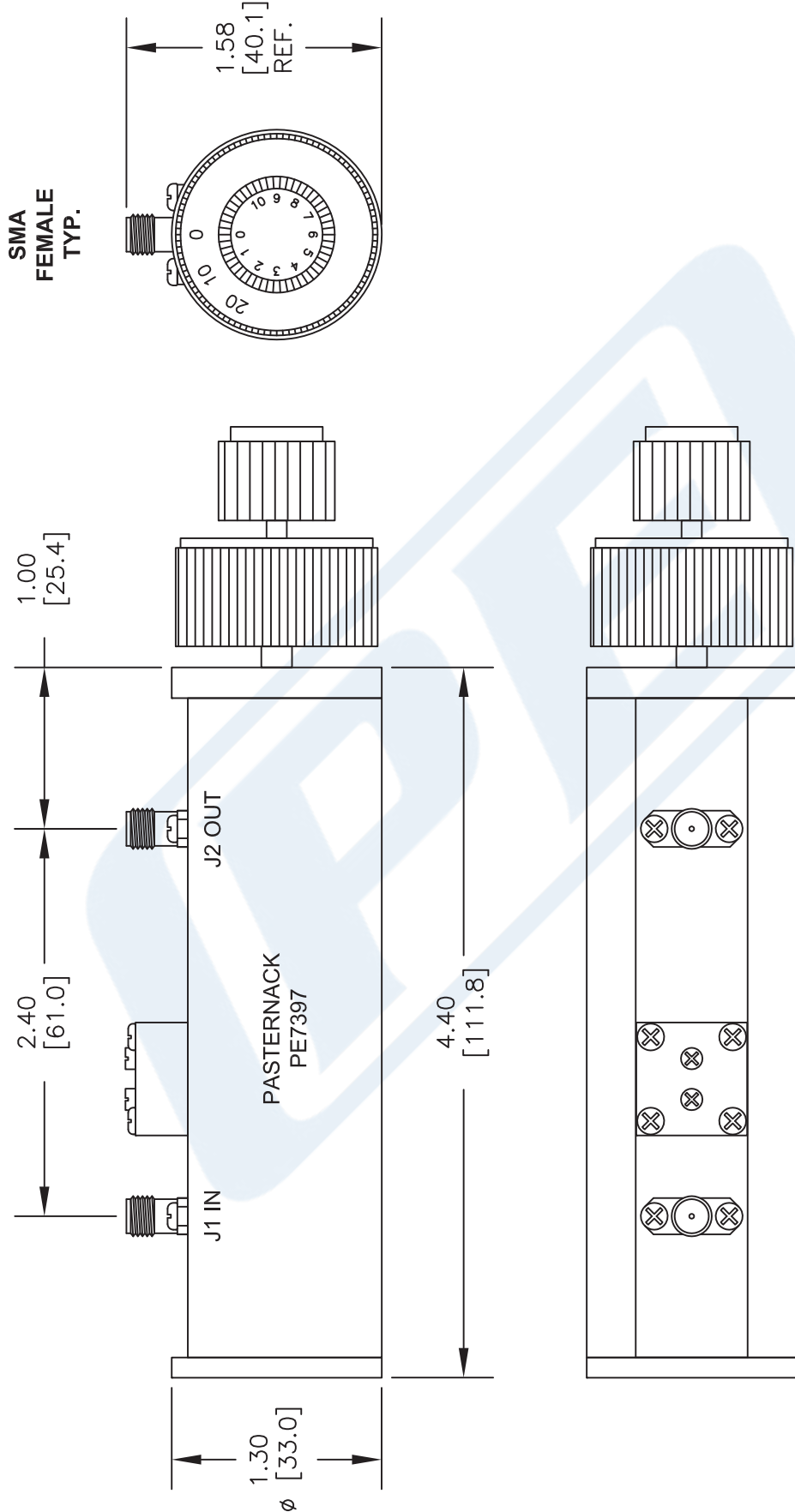
Click the following link (or enter part number in "SEARCH" on website) to obtain additional part information including price, inventory and certifications: [0 to 30 dB Dial Step Attenuator, SMA Female To SMA Female With 1 dB Step Rated To 2 Watts Up To 2.7 GHz PE7397](http://www.pasternack.com/30db-step-sma-female-sma-female-2-watts-attenuator-pe7397-p.aspx)

URL: <http://www.pasternack.com/30db-step-sma-female-sma-female-2-watts-attenuator-pe7397-p.aspx>

The information contained in this document is accurate to the best of our knowledge and representative of the part described herein. It may be necessary to make modifications to the part and/or the documentation of the part, in order to implement improvements. Pasternack reserves the right to make such changes as required. Unless otherwise stated, all specifications are nominal. Pasternack does not make any representation or warranty regarding the suitability of the part described herein for any particular purpose, and Pasternack does not assume any liability arising out of the use of any part or documentation.

PE7397 CAD Drawing

0 to 30 dB Dial Step Attenuator, SMA Female To SMA Female
With 1 dB Step Rated To 2 Watts Up To 2.7 GHz



DWG TITLE

PE7397

NOTES:
1. UNLESS OTHERWISE SPECIFIED ALL DIMENSIONS ARE NOMINAL.
2. ALL SPECIFICATIONS ARE SUBJECT TO CHANGE WITHOUT NOTICE AT ANY TIME.
3. DIMENSIONS ARE IN INCHES [mm].

FSCM NO. 53919

CAD FILE 040815

SIZE A

2233

(PE) PASTERNAK®
THE ENGINEER'S RF SOURCE

Pasternack Enterprises, Inc.
P.O. Box 16759 | Irvine | CA | 92623
Phone: (949) 261-1920 | Fax: (949) 261-7451
Website: www.pasternack.com | E-Mail: sales@pasternack.com