



High Power Limiter, SMA, 100W Peak Power, 200 us Recovery, 16 dBm Flat Leakage, 7 GHz to 12 GHz

## Limiters Technical Data Sheet

**PE8036**

### Electrical Specifications

Internal DC Block

Description	Minimum	Typical	Maximum	Units
Frequency Range	7		12	GHz
Insertion Loss		1.6	2	dB
Input VSWR		1.6:1	1.8:1	
Output VSWR		1.6:1	1.8:1	
Leakage (CW)			+16	dBm
Leakage (Peak)			+19	dBm
Recovery Time		200		us
Input Power (CW)			1	Watt
Input Power (Peak) @1us pulse, 0.1% Duty Cycle Derated to 20% @ +125°C			100	Watt
Limiting Threshold		+4		dBm

Electrical Specification Notes:

Values at 25°C, sea level. Specification @ +25°C and -10 dBm input power.

### Mechanical Specifications

#### Size

Length	1.27 in [32.26 mm]
Width	0.31 in [7.87 mm]
Height	0.31 in [7.87 mm]
Weight	0.03 lbs [13.61 g]
Body Material and Plating	Passivated Stainless Steel

#### Configuration

Style	PIN-Schottky High Power Limiter
Package Style	Connectorized Module
Impedance	50 Ohms
Connector 1	SMA Male
Connector 2	SMA Female

### Environmental Specifications

#### Temperature

Operating Range	-55 to +90 deg C
Storage Range	-65 to +125 deg C

Click the following link (or enter part number in "SEARCH" on website) to obtain additional part information including price, inventory and certifications: [High Power Limiter, SMA, 100W Peak Power, 200 us Recovery, 16 dBm Flat Leakage, 7 GHz to 12 GHz PE8036](#)



High Power Limiter, SMA, 100W Peak Power, 200 us Recovery, 16 dBm Flat Leakage, 7 GHz to 12 GHz

## Limiters Technical Data Sheet

**PE8036**

Shock  
Vibration

50 G's, 11 msec  
20G, 100 to 2000Hz

**Compliance Certifications** (see [product page](#) for current document)

### Plotted and Other Data

Notes:

- Values at 25°C, sea level.

Click the following link (or enter part number in "SEARCH" on website) to obtain additional part information including price, inventory and certifications: [High Power Limiter, SMA, 100W Peak Power, 200 us Recovery, 16 dBm Flat Leakage, 7 GHz to 12 GHz PE8036](#)

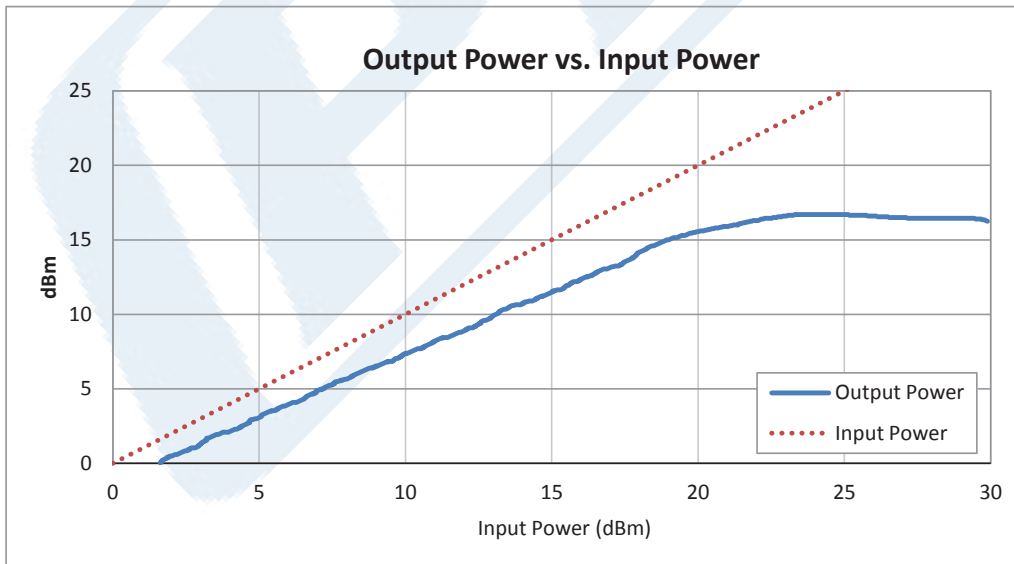
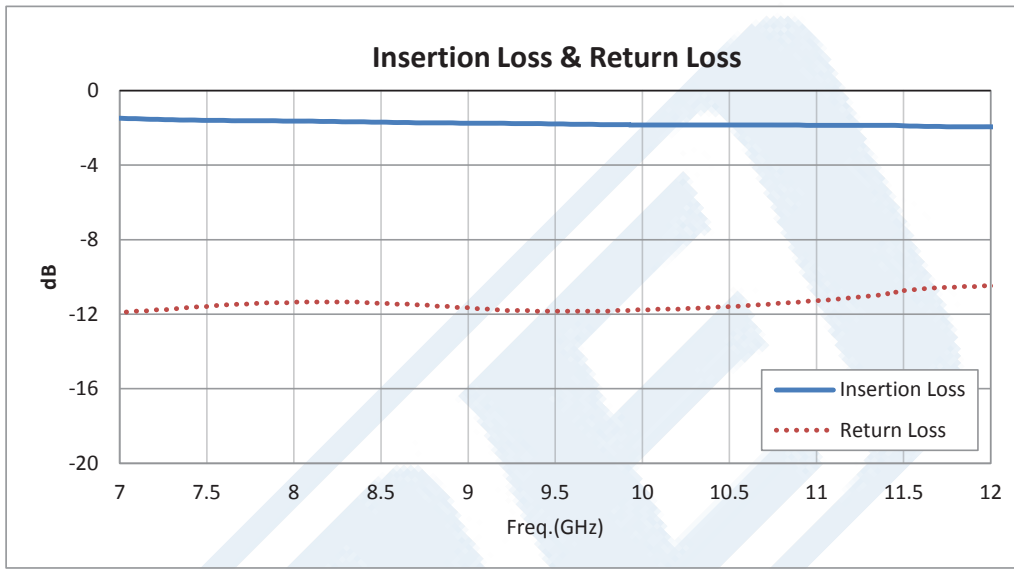


High Power Limiter, SMA, 100W Peak Power, 200 us Recovery, 16 dBm Flat Leakage, 7 GHz to 12 GHz

**Limiters Technical Data Sheet**

**PE8036**

**Typical Performance Data**



Click the following link (or enter part number in "SEARCH" on website) to obtain additional part information including price, inventory and certifications: [High Power Limiter, SMA, 100W Peak Power, 200 us Recovery, 16 dBm Flat Leakage, 7 GHz to 12 GHz PE8036](#)



High Power Limiter, SMA, 100W Peak Power, 200 us Recovery, 16 dBm Flat Leakage, 7 GHz to 12 GHz

## Limiters Technical Data Sheet

**PE8036**

High Power Limiter, SMA, 100W Peak Power, 200 us Recovery, 16 dBm Flat Leakage, 7 GHz to 12 GHz from Pasternack Enterprises has same day shipment for domestic and International orders. Our RF, microwave and millimeter wave products maintain a 99.4% availability and are part of the broadest selection in the industry.

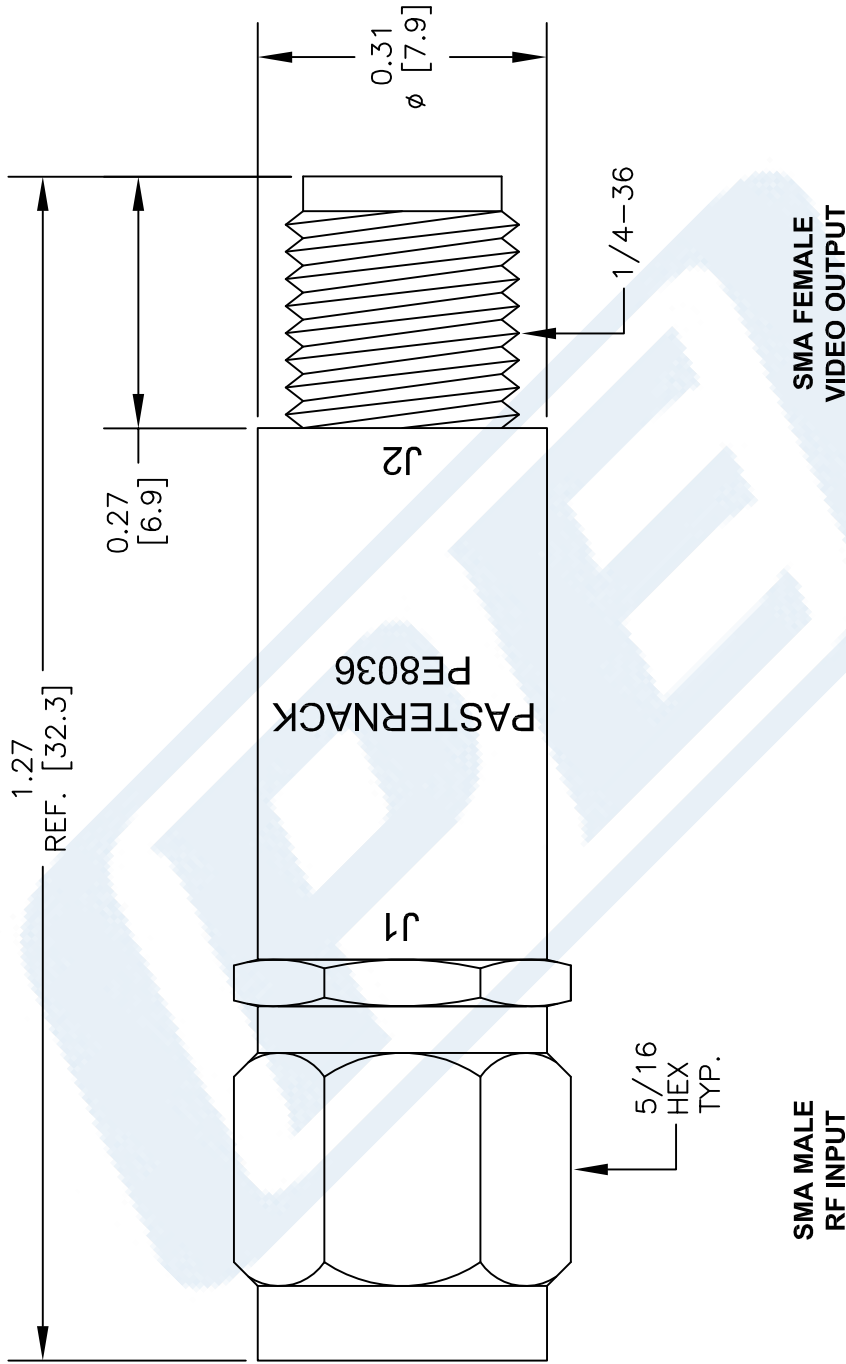
Click the following link (or enter part number in "SEARCH" on website) to obtain additional part information including price, inventory and certifications: [High Power Limiter, SMA, 100W Peak Power, 200 us Recovery, 16 dBm Flat Leakage, 7 GHz to 12 GHz PE8036](https://www.pasternack.com/high-power-limiter-sma-100w-peak-power-200-us-recovery-16-dbm-flat-leakage-7-ghz-to-12-ghz-pe8036-p.aspx)

URL: <https://www.pasternack.com/high-power-limiter-sma-100w-peak-power-200-us-recovery-16-dbm-flat-leakage-7-ghz-to-12-ghz-pe8036-p.aspx>

The information contained in this document is accurate to the best of our knowledge and representative of the part described herein. It may be necessary to make modifications to the part and/or the documentation of the part, in order to implement improvements. Pasternack reserves the right to make such changes as required. Unless otherwise stated, all specifications are nominal. Pasternack does not make any representation or warranty regarding the suitability of the part described herein for any particular purpose, and Pasternack does not assume any liability arising out of the use of any part or documentation.

# PE8036 CAD Drawing

High Power Limiter, SMA, 100W Peak Power, 200 us Recovery, 16 dBm Flat Leakage, 7 GHz to 12 GHz



NOTES:  
 1. UNLESS OTHERWISE SPECIFIED ALL DIMENSIONS ARE NOMINAL.  
 2. ALL SPECIFICATIONS ARE SUBJECT TO CHANGE WITHOUT NOTICE AT ANY TIME.  
 3. DIMENSIONS ARE IN INCHES [mm].

DWG TITLE  
**PE8036**

**PE PASTERNAK**  
 THE ENGINEER'S RF SOURCE  
 Pasternack Enterprises, Inc.  
 P.O. Box 16759 | Irvine | CA | 92623  
 Phone: (949) 261-1920 | Fax: (949) 261-7451  
 Website: www.pasternack.com | E-Mail: sales@pasternack.com

FSCM NO. 53919

CAD FILE 072715 SCALE N/A SIZE A 150