



Detector, SMA, Video Out, 100 MHz to 12.4 GHz

Detectors Technical Data Sheet

PE80T1004

The PE80T1004 is a Finline Detector Designed to Operate from 0.1 GHz to 12.4 GHz. This Detector performs measurements more quickly and have a greater dynamic range than that obtainable from comparable power sensors. The Rugged Ultra Compact Package Design utilizes SMA Female connectors

Features

- High Speed Finline Detector
- 100 MHz to 12.4 GHz Frequency Range
- Voltage Sensitivity 800 mV/mW
- SMA Female Connectors

Applications

- Electronic Warfare
- Test & Measurement
- System Monitoring
- AM Noise Measurements
- Military & Space
- Radar
- Pulsed RF Measurements in Ultra Broadband Applications
- Leveling Pulse Signal Sources
- Military Communications Systems

Electrical Specifications

Description	Minimum	Typical	Maximum	Units
Frequency Range	100 MHz		12.4 GHz	
VSWR			1.7:1	
Voltage Sensitivity		800		mV/mW

Mechanical Specifications

Compliance Certifications (see [product page](#) for current document)

Plotted and Other Data

Notes:

- Values at +25 °C, sea level

Click the following link (or enter part number in "SEARCH" on website) to obtain additional part information including price, inventory and certifications: [Detector, SMA, Video Out, 100 MHz to 12.4 GHz PE80T1004](#)

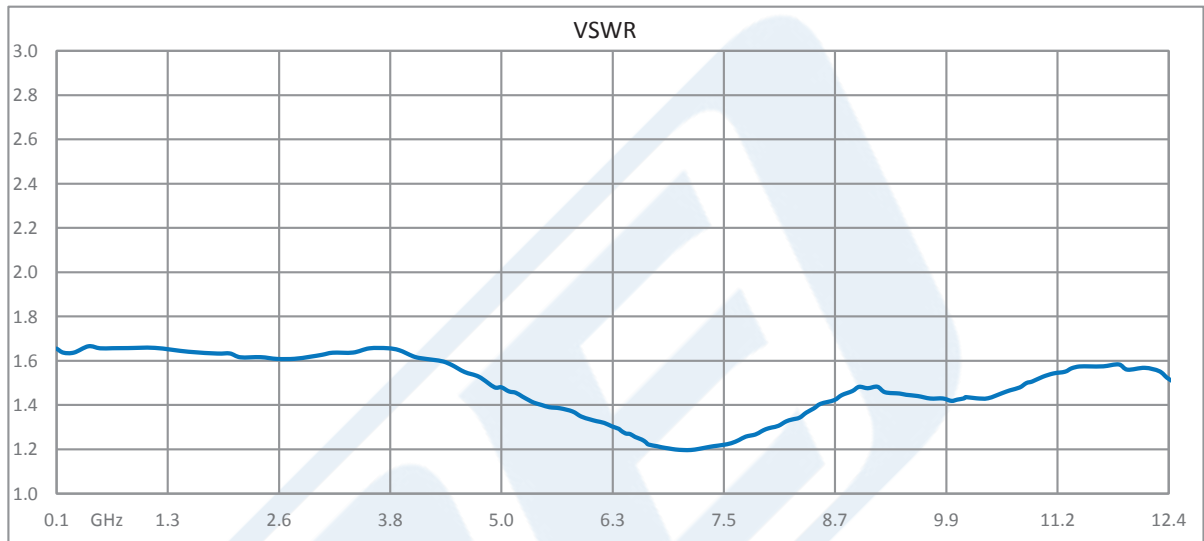


Detector, SMA, Video Out, 100 MHz to 12.4 GHz

Detectors Technical Data Sheet

PE80T1004

Typical Performance Data



Detector, SMA, Video Out, 100 MHz to 12.4 GHz from Pasternack Enterprises has same day shipment for domestic and International orders. Our RF, microwave and millimeter wave products maintain a 99.4% availability and are part of the broadest selection in the industry.

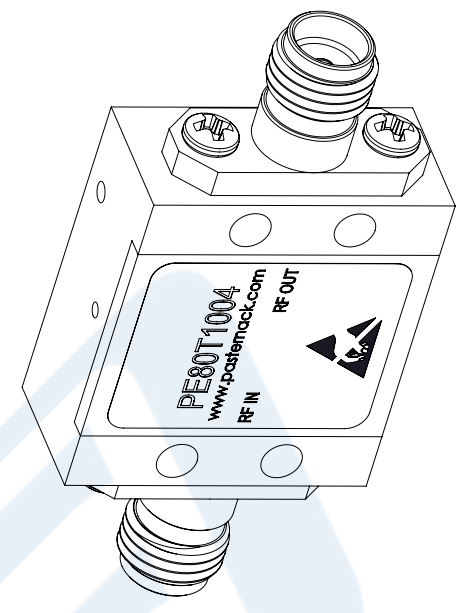
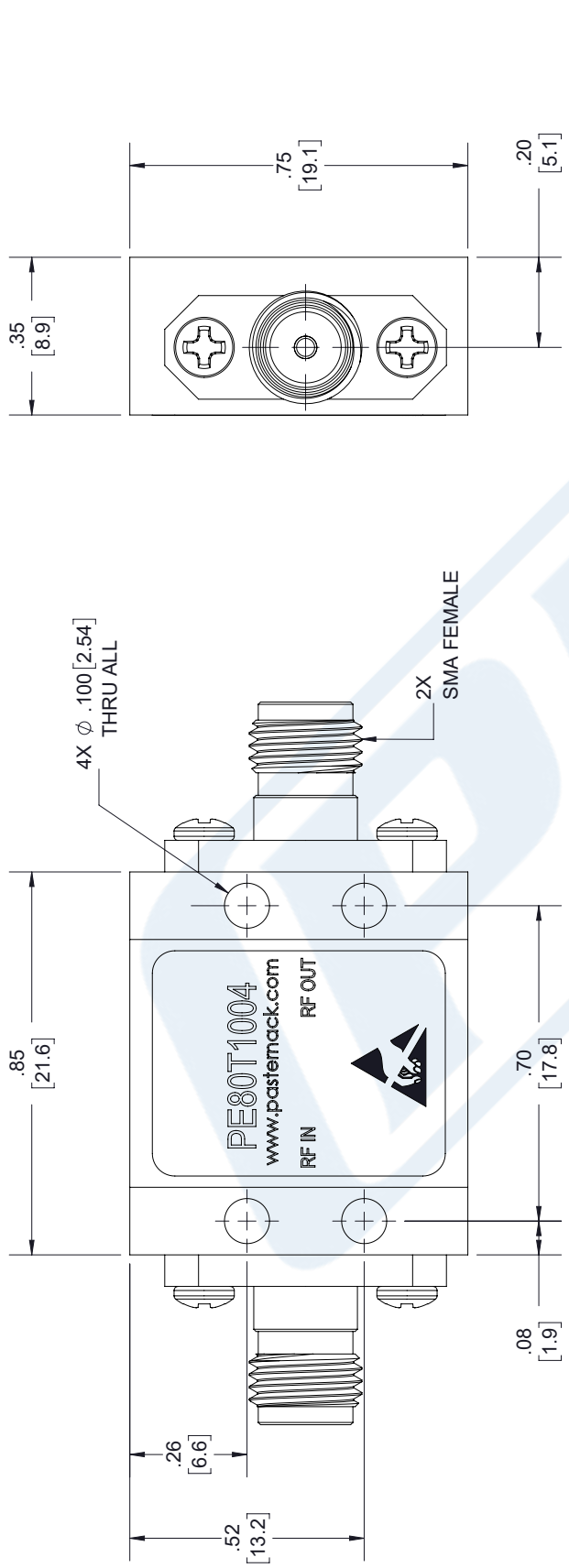
Click the following link (or enter part number in "SEARCH" on website) to obtain additional part information including price, inventory and certifications: [Detector, SMA, Video Out, 100 MHz to 12.4 GHz PE80T1004](https://www.pasternack.com/detector-sma-100-mhz-12.4-ghz-pe80t1004-p.aspx)

URL: <https://www.pasternack.com/detector-sma-100-mhz-12.4-ghz-pe80t1004-p.aspx>

The information contained in this document is accurate to the best of our knowledge and representative of the part described herein. It may be necessary to make modifications to the part and/or the documentation of the part, in order to implement improvements. Pasternack reserves the right to make such changes as required. Unless otherwise stated, all specifications are nominal. Pasternack does not make any representation or warranty regarding the suitability of the part described herein for any particular purpose, and Pasternack does not assume any liability arising out of the use of any part or documentation.

PE80T1004 CAD Drawing

Detector, SMA, Video Out, 100 MHz to 12.4 GHz



NOTE:
1. WARRANTY VOID IF REMOVED.

STANDARD TOLERANCES	
.X	± 0.2
.XX	± 0.01
.XXX	± 0.005

*STANDARD TOLERANCES APPLY ONLY TO DIMENSIONS IN INCHES



Pasternack Enterprises, Inc.
P.O. Box 16759 | Irvine | CA | 92623
Phone: (949) 261-1920 | Fax: (949) 261-7451
Website: www.pasternack.com | E-Mail: sales@pasternack.com

DWG TITLE
PE80T1004

CAGE CODE **53919**

NOTES:
1. UNLESS OTHERWISE SPECIFIED ALL DIMENSIONS ARE NOMINAL.
2. ALL SPECIFICATIONS ARE SUBJECT TO CHANGE WITHOUT NOTICE AT ANY TIME
3. DIMENSIONS ARE IN INCHES [mm].

CAD FILE 030118 SCALE N/A SIZE A 7361