



SMA Female to UMCX Plug Adapter

RF Adapters Technical Data Sheet

PE91005

Configuration

- SMA Female Connector 1
- UMCX Plug Connector 2
- 50 Ohms
- Straight Body Geometry

Features

- Max VSWR of 1.3:1 up to 6 GHz
- SMA interface compliant with MIL-STD-348A
- 50 µin minimum contact plating
- Gold Plated Beryllium Copper Contact

Applications

- Allows Connection Between Series
- General Purpose Test

Description

Pasternack's PE91005 SMA female to UMCX plug adapter is part of our full line of RF components available for same-day shipping. The SMA connector mates mechanically with commercially available 3.5mm and 2.92mm (K) connectors. Our SMA to UMCX adapter has a female to plug gender configuration. PE91005 SMA female to UMCX plug adapter operates to 6 GHz. The Pasternack RF adapter provides good VSWR of 1.3:1 maximum.

RF adapters are often used to enable connections between two connector types that would otherwise not mate. Certain adapter configurations can also be used to protect connectors on expensive equipment where the number of connect/disconnect cycles is high. An RF, microwave or millimeter wave adapter is connected to the equipment, and the commonly changed connection is made with the adapter which can be easily replaced when it wears out after high usage; such adapters are referred to as connector savers. Pasternack also offers bulkhead, panel mount, hermetically sealed, reverse polarity, and isolated ground adapter varieties to serve all of your RF, microwave and millimeter wave needs.

Electrical Specifications

Description	Minimum	Typical	Maximum	Units
Frequency Range	DC		6	GHz
VSWR		1.12:1	1.3:1	
Operating Voltage (AC)			100	Vrms
Dielectric Withstanding Voltage (AC)			200	Vrms
Inner Conductor DC Resistance			3	mOhms
Outer Conductor DC Resistance			2	mOhms
Insulation Resistance	5,000			MOhms

Electrical Specification Notes:
Values at 25° sea level.

Mechanical Specifications

Size	
Length	0.553 in [14.05 mm]
Width	0.25 in [6.35 mm]

Click the following link (or enter part number in "SEARCH" on website) to obtain additional part information including price, inventory and certifications: [SMA Female to UMCX Plug Adapter PE91005](#)



SMA Female to UMCX Plug Adapter

RF Adapters Technical Data Sheet

PE91005

Weight 0.008 lbs [3.63 g]

Description	Connector 1	Connector 2
Type	SMA Female	UMCX Plug
Polarity	Standard	Standard
Interface Specification	MIL-STD-348A	
Mating Cycles	500	500

Material Specifications

Description	Connector 1		Connector 2	
	Material	Plating	Material	Plating
Type	SMA Female		UMCX Plug	
Contact	Beryllium Copper	Gold 50 µin minimum	Beryllium Copper	Gold 50 µin minimum
Insulation	PTFE		PTFE	
Outer Conductor	Brass	Gold 3 µin minimum		
Body			Brass	Gold 3 µin minimum

Environmental Specifications

Temperature

Operating Range -40 to +90 deg C

Salt Spray

MIL-STD-202, Method 101, Condition B

Compliance Certifications (see [product page](#) for current document)

Plotted and Other Data

Notes:

Click the following link (or enter part number in "SEARCH" on website) to obtain additional part information including price, inventory and certifications: [SMA Female to UMCX Plug Adapter PE91005](#)

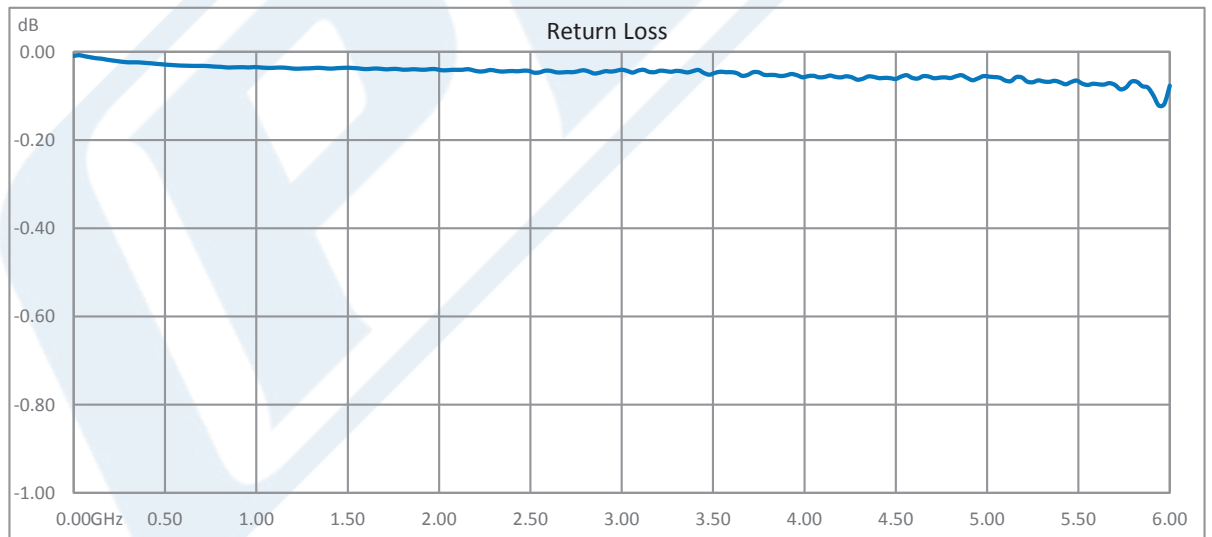
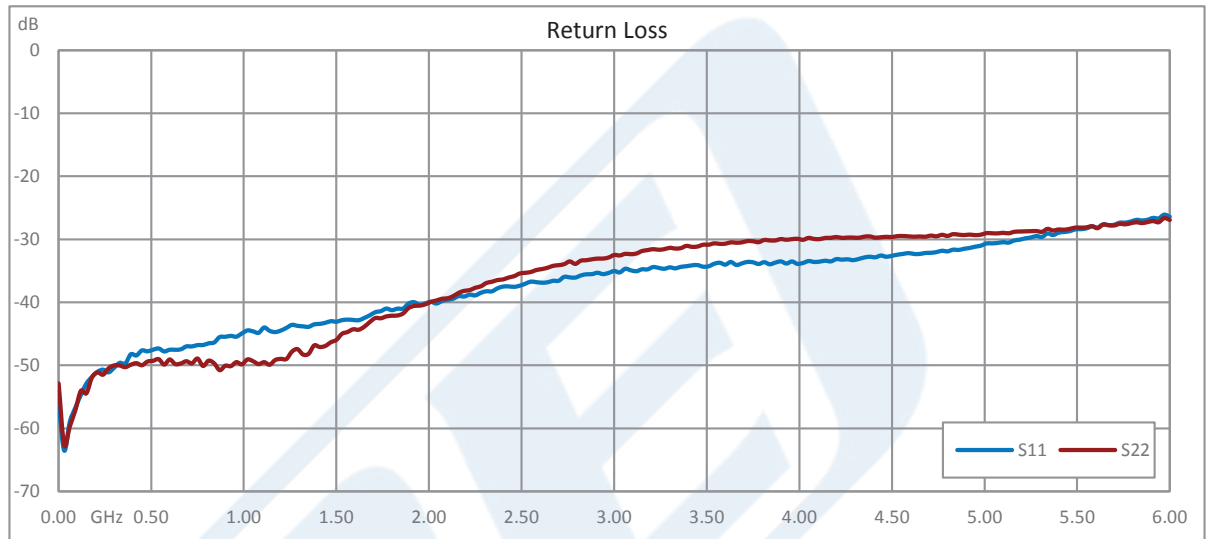


SMA Female to UMCX Plug Adapter

RF Adapters Technical Data Sheet

PE91005

Typical Performance Data



Click the following link (or enter part number in "SEARCH" on website) to obtain additional part information including price, inventory and certifications: [SMA Female to UMCX Plug Adapter PE91005](#)



SMA Female to UMCX Plug Adapter

RF Adapters Technical Data Sheet

PE91005

SMA Female to UMCX Plug Adapter from Pasternack Enterprises has same day shipment for domestic and International orders. Our RF, microwave and millimeter wave products maintain a 99% availability and are part of the broadest selection in the industry.

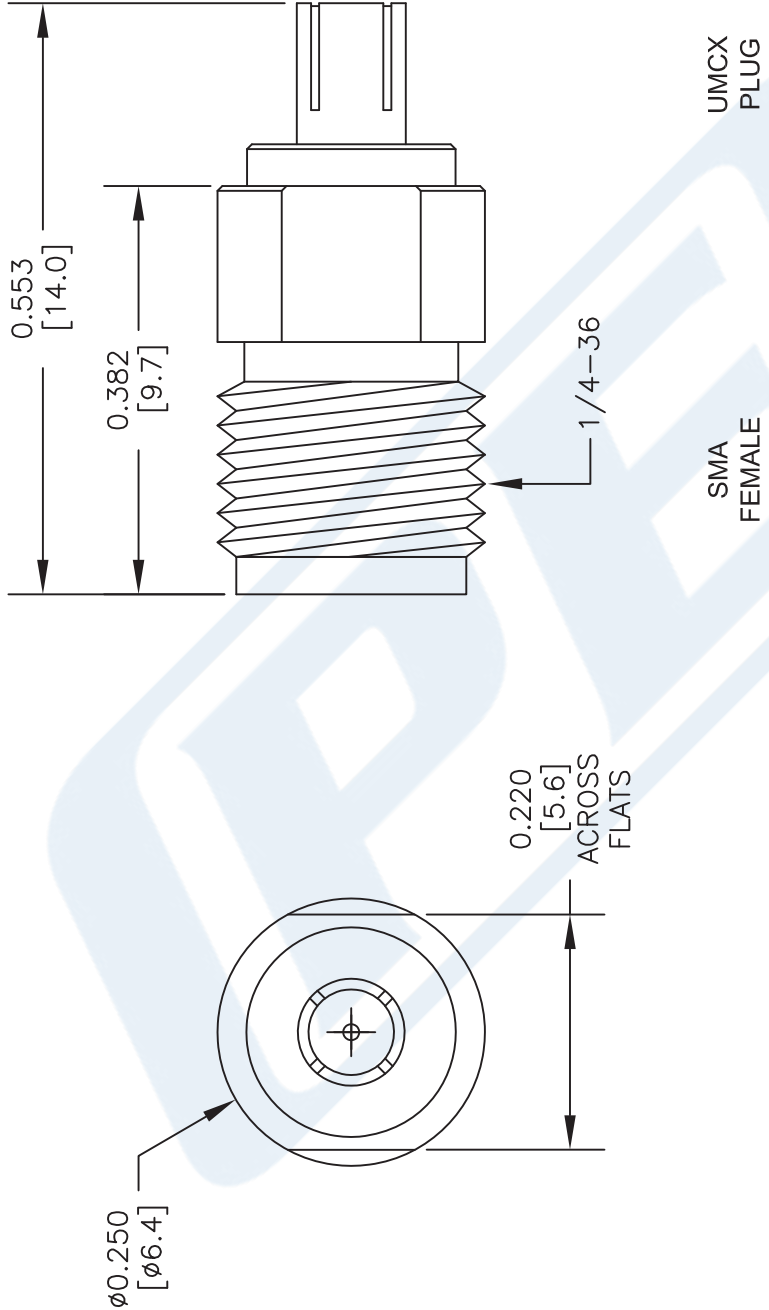
Click the following link (or enter part number in "SEARCH" on website) to obtain additional part information including price, inventory and certifications: [SMA Female to UMCX Plug Adapter PE91005](#)

URL: <https://www.pasternack.com/sma-female-umcx-plug-straight-adapter-pe91005-p.aspx>

The information contained in this document is accurate to the best of our knowledge and representative of the part described herein. It may be necessary to make modifications to the part and/or the documentation of the part, in order to implement improvements. Pasternack reserves the right to make such changes as required. Unless otherwise stated, all specifications are nominal. Pasternack does not make any representation or warranty regarding the suitability of the part described herein for any particular purpose, and Pasternack does not assume any liability arising out of the use of any part or documentation.

PE91005 CAD Drawing

SMA Female to UMCX Plug Adapter



STANDARD TOLERANCES
 .X ±0.2
 .XX ±0.1
 .XXX ±0.05

*STANDARD TOLERANCES APPLY ONLY TO DIMENSIONS IN INCHES

NOTES:
 1. UNLESS OTHERWISE SPECIFIED ALL DIMENSIONS ARE NOMINAL.
 2. ALL SPECIFICATIONS ARE SUBJECT TO CHANGE WITHOUT NOTICE AT ANY TIME.
 3. DIMENSIONS ARE IN INCHES [mm].

DWG TITLE
PE91005

FSCM NO. 53919

CAD FILE 060916

SCALE N/A

SIZE A

2233

PE PASTERNAK®
 THE ENGINEER'S RF SOURCE
 Pasternack Enterprises, Inc.
 P.O. Box 16759 | Irvine | CA | 92623
 Phone: (949) 261-1920 | Fax: (949) 261-7451
 Website: www.pasternack.com | E-Mail: sales@pasternack.com