



## N Female to N Female Adapter IP67 Mated

### TECHNICAL DATA SHEET

PE91200

#### Configuration

Connector 1	N Female
Impedance 1	50 Ohms
Connector 2	N Female
Impedance 2	50 Ohms
Adapter Design	Standard
Body Style	Straight

#### Electrical Specifications

Frequency Range	DC to 6 GHz
Maximum VSWR	1.2:1

#### Mechanical Specifications

##### Size

Length, in [mm]	1.496 [38]
-----------------	------------

##### Connector 1

Type	N Female
Inner Conductor Material and Plating	Beryllium Copper, Gold
Body Material and Plating	Brass, Tri-Metal
Dielectric Type	PTFE

##### Connector 2

Type	N Female
Inner Conductor Material and Plating	Beryllium Copper, Gold
Body Material and Plating	Brass, Tri-Metal
Dielectric Type	PTFE

#### Environmental Specifications

##### Temperature

Operating Range	-45 to +125 deg C
-----------------	-------------------

Ingress Protection	IP67 Mated
--------------------	------------

#### Compliance Certifications (visit [www.Pasternack.com](http://www.Pasternack.com) for current document)

RoHS Compliant

Click the following link (or enter part number in "SEARCH" on website) to obtain additional part information including price, inventory and certifications: [N Female to N Female Adapter IP67 Mated PE91200](#)



## N Female to N Female Adapter IP67 Mated

### TECHNICAL DATA SHEET

PE91200

#### Plotted and Other Data

Notes:

- Values at +25 °C, sea level

N Female to N Female Adapter IP67 Mated from Pasternack Enterprises has same day shipment for domestic and International orders. Our RF, microwave and millimeter wave products maintain a 99% availability and are part of the broadest selection in the industry.

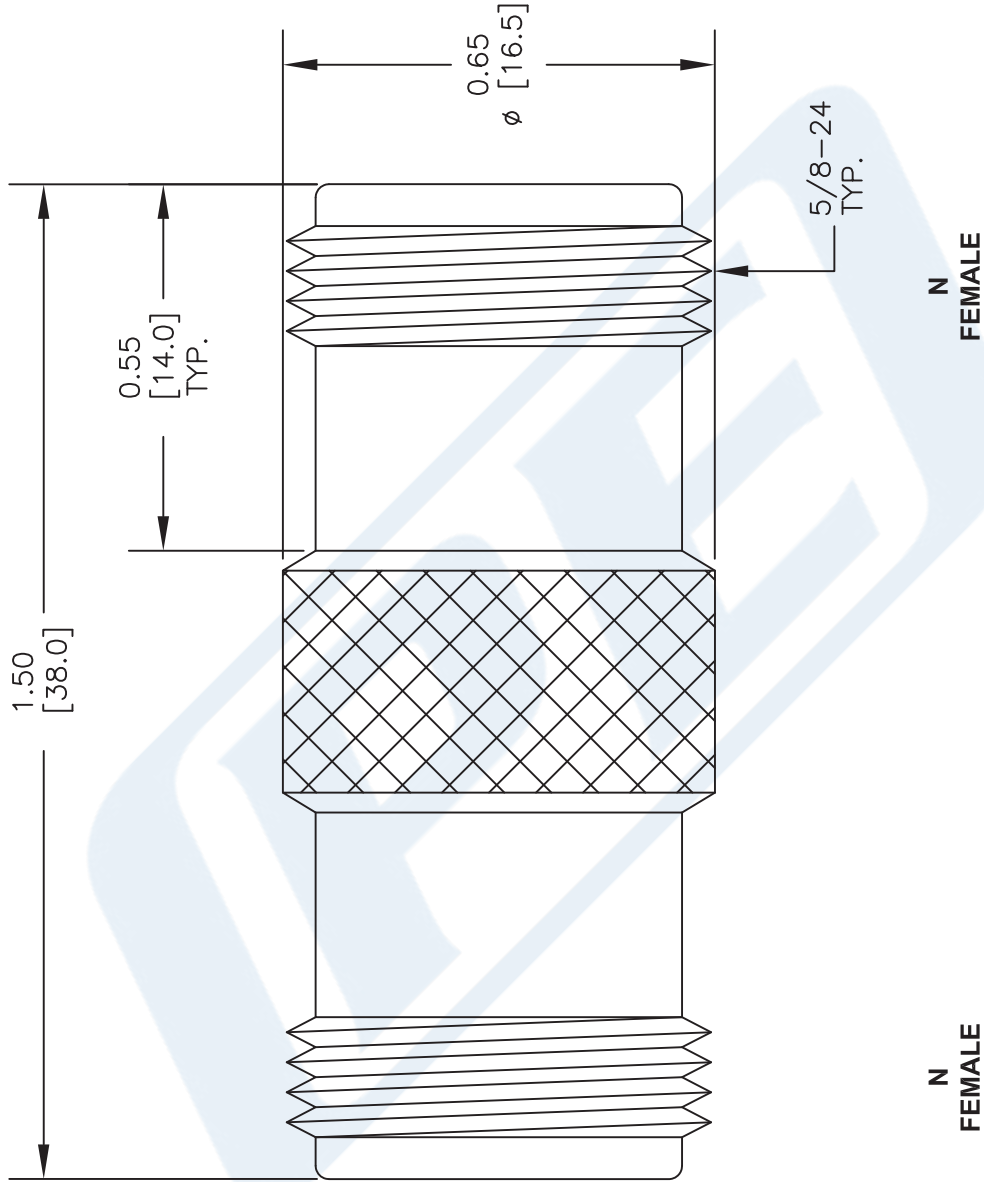
Click the following link (or enter part number in "SEARCH" on website) to obtain additional part information including price, inventory and certifications: [N Female to N Female Adapter IP67 Mated PE91200](#)

URL: <http://www.pasternack.com/n-female-n-female-straight-adapter-pe91200-p.aspx>

The information contained in this document is accurate to the best of our knowledge and representative of the part described herein. It may be necessary to make modifications to the part and/or the documentation of the part, in order to implement improvements. Pasternack reserves the right to make such changes as required. Unless otherwise stated, all specifications are nominal. Pasternack does not make any representation or warranty regarding the suitability of the part described herein for any particular purpose, and Pasternack does not assume any liability arising out of the use of any part or documentation.

# PE91200 CAD Drawing

## N Female to N Female Adapter IP67 Mated



NOTES:  
 1. UNLESS OTHERWISE SPECIFIED ALL DIMENSIONS ARE NOMINAL.  
 2. ALL SPECIFICATIONS ARE SUBJECT TO CHANGE WITHOUT NOTICE AT ANY TIME.  
 3. DIMENSIONS ARE IN INCHES [mm].

DWG TITLE  
**PE91200**

FSCM NO. 53919

CAD FILE 061614

SCALE N/A

SIZE A

2233

**(PE) PASTERNAK®**  
 THE ENGINEER'S RF SOURCE  
 Pasternack Enterprises, Inc.  
 P.O. Box 16759 | Irvine | CA | 92623  
**Phone:** (949) 261-1920 | **Fax:** (949) 261-7451  
**Website:** www.pasternack.com | **E-Mail:** sales@pasternack.com