



## SMB Plug to BNC Male Adapter

### RF Adapters Technical Data Sheet

PE9135

#### Configuration

- SMB Plug Connector 1
- BNC Male Connector 2
- 50 Ohms
- Straight Body Geometry

#### Features

- SMB Interface compliant with MIL-STD-348A
- BNC Interface compliant with MIL-STD-348A
- Gold Plated Beryllium Copper Contact
- 30 µ-in min Gold Contact Plating

#### Applications

- Allows Connection Between Series
- General Purpose Test

#### Description

Pasternack's PE9135 SMB plug to BNC male adapter is part of our full line of RF components available for same-day shipping. Our SMB to BNC adapter has a plug to male gender configuration. PE9135 SMB plug to BNC male adapter operates to 4 GHz.

RF adapters are often used to enable connections between two connector types that would otherwise not mate. Certain adapter configurations can also be used to protect connectors on expensive equipment where the number of connect/disconnect cycles is high. An RF, microwave or millimeter wave adapter is connected to the equipment, and the commonly changed connection is made with the adapter which can be easily replaced when it wears out after high usage; such adapters are referred to as connector savers. Pasternack also offers bulkhead, panel mount, hermetically sealed, reverse polarity, and isolated ground adapter varieties to serve all of your RF, microwave and millimeter wave needs.

#### Electrical Specifications

Description	Minimum	Typical	Maximum	Units
Frequency Range	DC		4	GHz
Operating Voltage (AC)			335	Vrms

Electrical Specification Notes:  
 Values at 25°C, sea level.

#### Mechanical Specifications

Size	
Length	1.2 in [30.48 mm]
Width	0.57 in [14.48 mm]
Weight	0.034 lbs [15.42 g]

Description	Connector 1	Connector 2
Type	SMB Plug	BNC Male
Polarity	Standard	Standard
Interface Specification	MIL-STD-348A	MIL-STD-348A

Click the following link (or enter part number in "SEARCH" on website) to obtain additional part information including price, inventory and certifications: [SMB Plug to BNC Male Adapter PE9135](#)



## SMB Plug to BNC Male Adapter

### RF Adapters Technical Data Sheet

PE9135

#### Material Specifications

Description	Connector 1		Connector 2	
	Material	Plating	Material	Plating
Type	SMB Plug		BNC Male	
Contact	Beryllium Copper	Gold 30 μ-in minimum	Beryllium Copper	Gold 30 μ-in minimum
Insulation	PTFE		PTFE	
Body	Brass	Nickel 100 μ-in minimum	Brass	Nickel 100 μ-in minimum
Gasket	Silicone		Silicone	
Coupling Nut	Brass	Nickel 100 μ-in minimum	Brass	Nickel 100 μ-in minimum

#### Environmental Specifications

##### Temperature

Operating Range

-65 to +165 deg C

**Compliance Certifications** (see [product page](#) for current document)

#### Plotted and Other Data

Notes:

SMB Plug to BNC Male Adapter from Pasternack Enterprises has same day shipment for domestic and International orders. Our RF, microwave and millimeter wave products maintain a 99% availability and are part of the broadest selection in the industry.

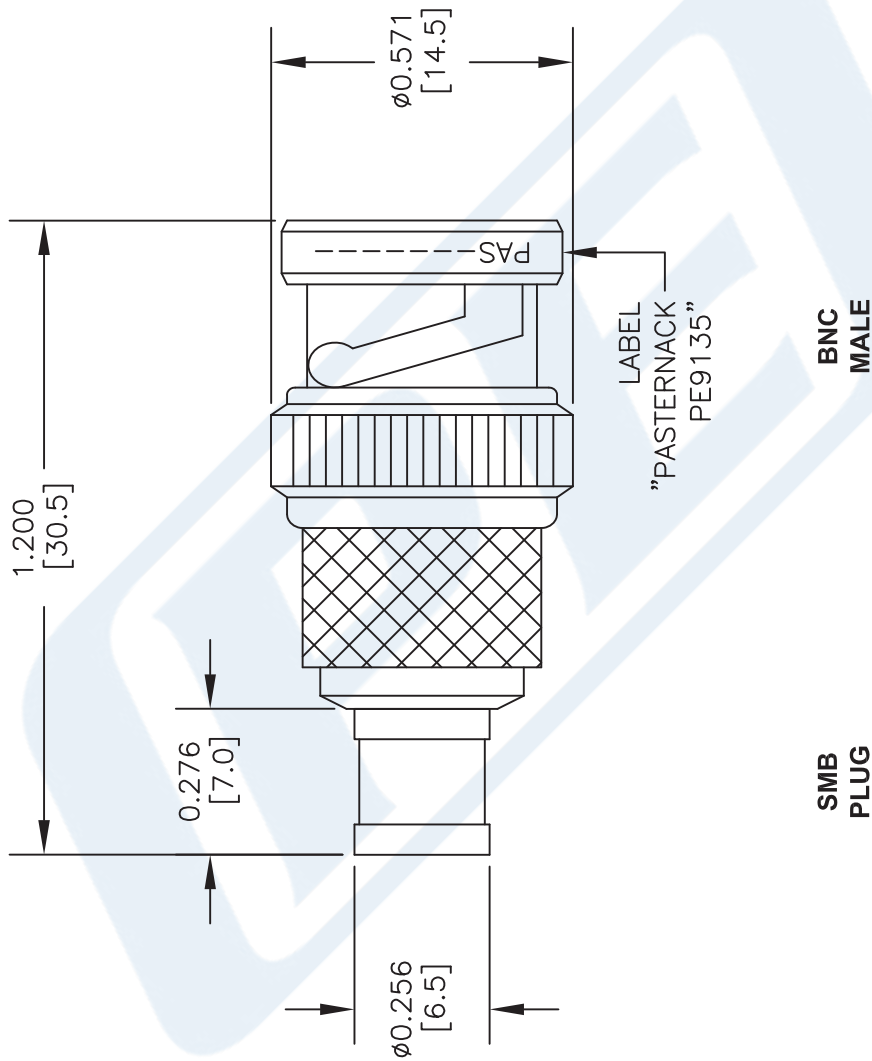
Click the following link (or enter part number in "SEARCH" on website) to obtain additional part information including price, inventory and certifications: [SMB Plug to BNC Male Adapter PE9135](#)

URL: <https://www.pasternack.com/smb-plug-bnc-male-straight-adapter-pe9135-p.aspx>

The information contained in this document is accurate to the best of our knowledge and representative of the part described herein. It may be necessary to make modifications to the part and/or the documentation of the part, in order to implement improvements. Pasternack reserves the right to make such changes as required. Unless otherwise stated, all specifications are nominal. Pasternack does not make any representation or warranty regarding the suitability of the part described herein for any particular purpose, and Pasternack does not assume any liability arising out of the use of any part or documentation.

# PE9135 CAD Drawing

## SMB Plug to BNC Male Adapter



### STANDARD TOLERANCES

.X ±0.2  
.XX ±0.1  
.XXX ±0.05

\*STANDARD TOLERANCES APPLY ONLY TO DIMENSIONS IN INCHES



Phone: (949) 261-1920 | Fax: (949) 261-7451  
Website: www.pasternack.com | E-Mail: sales@pasternack.com

DWG TITLE

**PE9135**

FSCM NO. 53919

CAD FILE 022216

SCALE N/A

SIZE A

3045

NOTES:  
1. UNLESS OTHERWISE SPECIFIED ALL DIMENSIONS ARE NOMINAL.  
2. ALL SPECIFICATIONS ARE SUBJECT TO CHANGE WITHOUT NOTICE AT ANY TIME.  
3. DIMENSIONS ARE IN INCHES [mm].