



WR-75 Square Cover Flange to End Launch SMA
Female Waveguide to Coax Adapter, 10 GHz
to 15 GHz, M Band, Aluminum, Paint

Waveguide to Coax Adapters Technical Data Sheet

PEWCA1073

Features

- M Band
- 10 to 15 GHz Frequency Range
- WR-75 Waveguide Interface
- Square Cover Flange
- SMA Female RF Interface
- End Launch

Applications

- Test Benches
- Radar
- Satellite
- Microwave Radio Systems
- Military and Space
- Communication Systems

Description

The PEWCA1073 is a waveguide to coaxial adapter operating in the M Band with a 10 to 15 GHz frequency range. This adapter offers a WR-75 waveguide interface size using a standard Square Cover Flange. The PEWCA1073 is constructed of Aluminum Alloy and painted to ensure durability. The coaxial connector offered by this adapter uses a SMA Female Connector.

Configuration

Waveguide Size	WR-75
Flange	Square Cover
RF Connector	SMA Female
Impedance	50 Ohms
Body Geometry	End Launch

Electrical Specifications

Description	Minimum	Typical	Maximum	Units
Frequency Range	10		15	GHz
VSWR		1.3:1		

Mechanical Specifications

RF Connector	
Connector Type	SMA Female
Waveguide Interface	
Waveguide Type	WR-75
Flange Type	Square Cover
Body Material and Plating	Aluminum, Paint

Click the following link (or enter part number in "SEARCH" on website) to obtain additional part information including price, inventory and certifications: [WR-75 Square Cover Flange to End Launch SMA Female Waveguide to Coax Adapter, 10 GHz to 15 GHz, M Band, Aluminum, Paint PEWCA1073](#)



WR-75 Square Cover Flange to End Launch SMA
Female Waveguide to Coax Adapter, 10 GHz
to 15 GHz, M Band, Aluminum, Paint

Waveguide to Coax Adapters Technical Data Sheet

PEWCA1073

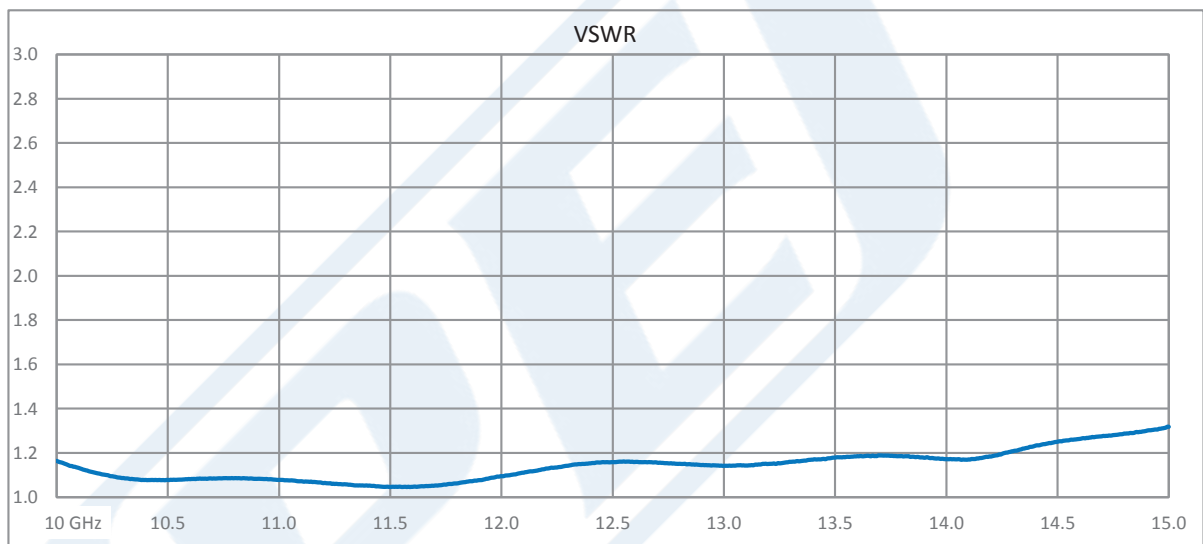
Compliance Certifications (see [product page](#) for current document)

Plotted and Other Data

Notes:

- Values at +25 °C, sea level unless stated otherwise

Typical Performance Data



WR-75 Square Cover Flange to End Launch SMA Female Waveguide to Coax Adapter, 10 GHz to 15 GHz, M Band, Aluminum, Paint from Pasternack Enterprises has same day shipment for domestic and International orders. Our RF, microwave and millimeter wave products maintain a 99.4% availability and are part of the broadest selection in the industry.

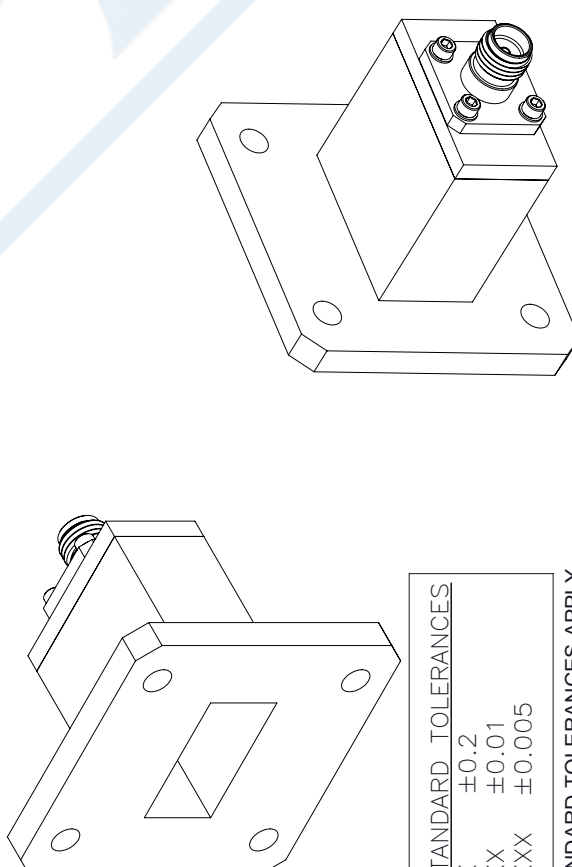
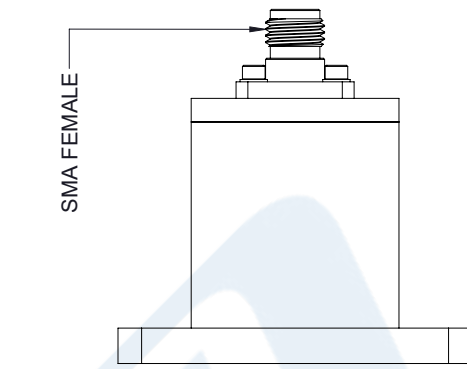
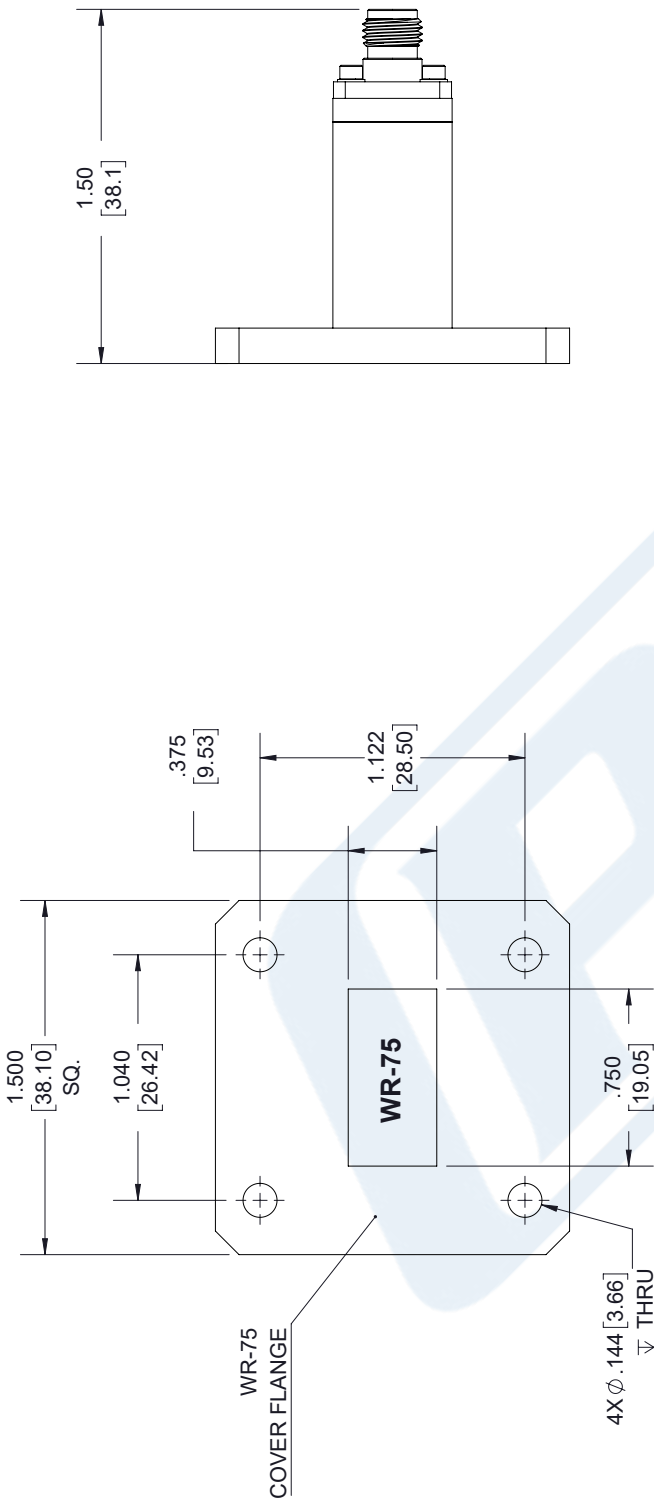
Click the following link (or enter part number in "SEARCH" on website) to obtain additional part information including price, inventory and certifications: [WR-75 Square Cover Flange to End Launch SMA Female Waveguide to Coax Adapter, 10 GHz to 15 GHz, M Band, Aluminum, Paint PEWCA1073](#)

URL: <https://www.pasternack.com/wr75-square-flange-to-end-launch-sma-female-waveguide-coax-adapter-15ghz-pewca1073-p.aspx>

The information contained in this document is accurate to the best of our knowledge and representative of the part described herein. It may be necessary to make modifications to the part and/or the documentation of the part, in order to implement improvements. Pasternack reserves the right to make such changes as required. Unless otherwise stated, all specifications are nominal. Pasternack does not make any representation or warranty regarding the suitability of the part described herein for any particular purpose, and Pasternack does not assume any liability arising out of the use of any part or documentation.

PEWCA1073 CAD Drawing

WR-75 Square Cover Flange to End Launch SMA Female Waveguide to Coax Adapter, 10 GHz to 15 GHz, M Band, Aluminum, Paint



STANDARD TOLERANCES	
.X	±0.2
.XX	±0.01
.XXX	±0.005

*STANDARD TOLERANCES APPLY ONLY TO DIMENSIONS IN INCHES

NOTES:
 1. UNLESS OTHERWISE SPECIFIED ALL DIMENSIONS ARE NOMINAL.
 2. ALL SPECIFICATIONS ARE SUBJECT TO CHANGE WITHOUT NOTICE AT ANY TIME.
 3. DIMENSIONS ARE IN INCHES [mm].

DWG TITLE	PEWCA1073
CAGE CODE	53919
SCALE	N/A
SIZE	A
CAD FILE	10/03/18
	7361

PE PASTERNAK®
 THE ENGINEER'S RF SOURCE
 Pasternack Enterprises, Inc.
 P.O. Box 16759 | Irvine | CA | 92623
 Phone: (949) 261-1920 | Fax: (949) 261-7451
 Website: www.pasternack.com | E-Mail: sales@pasternack.com