



## WR-75 UBR120 Flange to N Female Waveguide to Coax Adapter Operating from 9.84 GHz to 15 GHz in Brass

### Waveguide to Coax Adapters Technical Data Sheet

PEWCA1095

#### Features

- 9.84 to 15 GHz Frequency Range
- WR-75 Waveguide Interface
- UBR120 Flange
- N Female RF Interface
- Comprehensive waveguide offering also include E-Bends, H-Bends, Sections, Filters, Terminations, Couplers, and more.

#### Applications

- Test Benches
- Radar
- Satellite
- Microwave Radio Systems
- Military and Space
- Communication Systems

#### Description

The PEWCA1095 is a right angle waveguide to coaxial adapter operating at a frequency range of 9.84 GHz to 15 GHz. This adapter offers a WR-75 waveguide interface size coupled with a precision tolerance UBR120 flange. The PEWCA1095 is constructed of brass and painted gray to ensure durability. The coaxial connector offered by this adapter uses an N Female connector.

#### Configuration

Waveguide Size	WR-75
Flange	UBR120
RF Connector	N Female
Body Geometry	Right Angle

#### Electrical Specifications

Description	Minimum	Typical	Maximum	Units
Frequency Range	9.84		15	GHz
VSWR			1.25:1	
Insertion Loss			0.2	dB
Input Power (CW)			100	Watts

#### Mechanical Specifications

<b>Size</b>	
Length	1.29 in [32.77 mm]
Width	1.5 in [38.1 mm]
Height	1.5 in [38.1 mm]

<b>RF Connector</b>	
Connector Type	N Female

<b>Waveguide Interface</b>	
Waveguide Type	WR-75

Click the following link (or enter part number in "SEARCH" on website) to obtain additional part information including price, inventory and certifications: [WR-75 UBR120 Flange to N Female Waveguide to Coax Adapter Operating from 9.84 GHz to 15 GHz in Brass PEWCA1095](#)



WR-75 UBR120 Flange to N Female Waveguide to Coax  
Adapter Operating from 9.84 GHz to 15 GHz in Brass

Waveguide to Coax Adapters Technical Data Sheet

PEWCA1095

Flange Type UBR120  
Body Material and Plating Brass

**Environmental Specifications**

**Temperature**

Operating Range -40 to +70 deg C

**Compliance Certifications** (see [product page](#) for current document)

**Plotted and Other Data**

Notes:

- Values at +25 °C, sea level unless stated otherwise

WR-75 UBR120 Flange to N Female Waveguide to Coax Adapter Operating from 9.84 GHz to 15 GHz in Brass from Pasternack Enterprises has same day shipment for domestic and International orders. Our RF, microwave and millimeter wave products maintain a 99.4% availability and are part of the broadest selection in the industry.

Click the following link (or enter part number in "SEARCH" on website) to obtain additional part information including price, inventory and certifications: [WR-75 UBR120 Flange to N Female Waveguide to Coax Adapter Operating from 9.84 GHz to 15 GHz in Brass PEWCA1095](#)

URL: <https://www.pasternack.com/wr75-ubr120-flange-to-type-n-female-waveguide-coax-adapter-15-ghz-pewca1095-p.aspx>

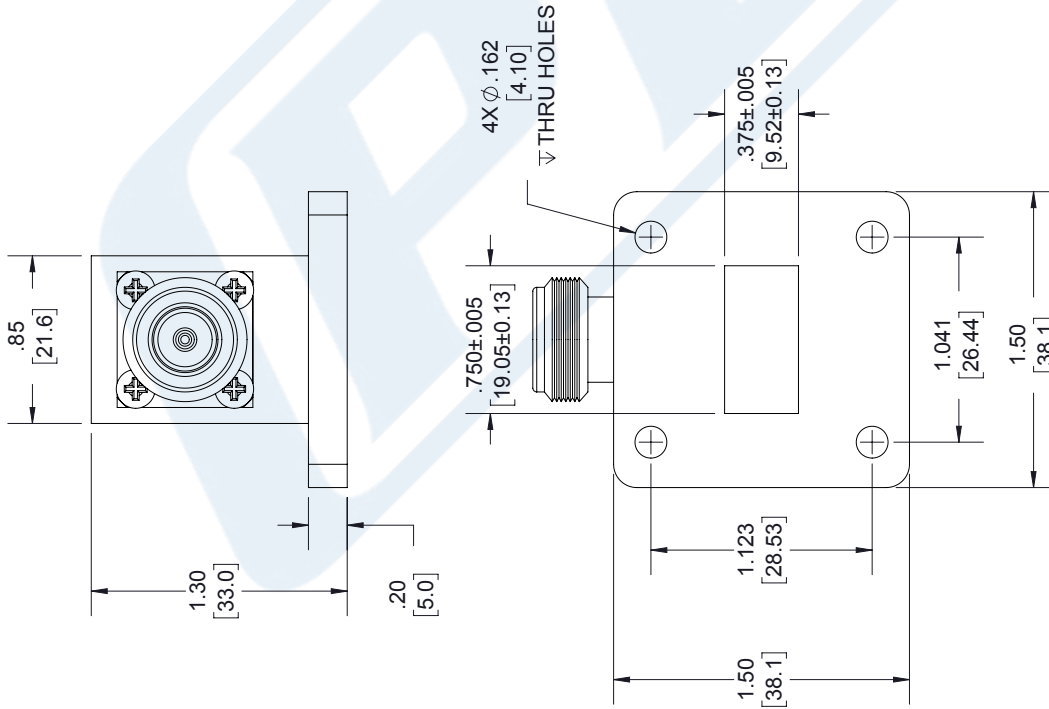
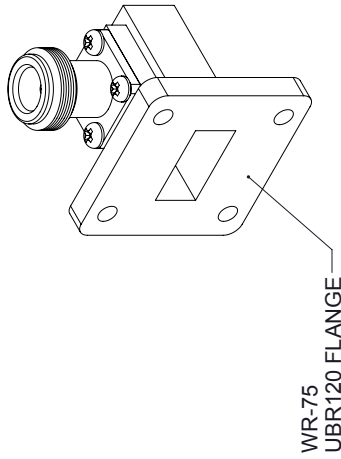
The information contained in this document is accurate to the best of our knowledge and representative of the part described herein. It may be necessary to make modifications to the part and/or the documentation of the part, in order to implement improvements. Pasternack reserves the right to make such changes as required. Unless otherwise stated, all specifications are nominal. Pasternack does not make any representation or warranty regarding the suitability of the part described herein for any particular purpose, and Pasternack does not assume any liability arising out of the use of any part or documentation.

# PEWCA1095 CAD Drawing

WR-75 UBR120 Flange to N Female Waveguide to Coax Adapter Operating from 9.84 GHz to 15 GHz in Brass

REVISIONS

REV.	DESCRIPTION	DATE	APPROVED
A	INITIAL RELEASE	05/05/2020	SPONG



**PASTERNAK**  
PEWCA1095  
D/C: YYWW

LABEL:

UNLESS OTHERWISE SPECIFIED LEADING DIMENSIONS ARE INCHES DIMENSIONS IN [ ] ARE MILLIMETERS

TOLERANCES:  
 .X = ± .2 [5.08] FRACTIONS ± 1/32  
 .XX = ± .02 [ .51] ANGLES ± 1°  
 .XXX = ± .005 [ .13] CABLE LENGTH (L) TOLERANCES:  
 L ≤ 12 [305] = +1 [25] / -0  
 12 [305] < L ≤ 60 [1524] = +2 [51] / -0  
 60 [1524] < L ≤ 120 [3048] = +4 [102] / -0  
 120 [3048] < L ≤ 300 [7620] = +6 [152] / -0  
 300 [7620] < L = +5% L / -0

ALL DIMENSIONS SHOWN ARE FOR REFERENCE ONLY.

**(PE) PASTERNAK**  
an INFINITO brand

Pasternack Enterprises, Inc.  
 P. O. Box 16759, Irvine, CA 92623.  
 Phone: 1.949.261.1920 | 1.866.727.8376  
 Fax: 1.949.261.7451  
 Website: www.pasternack.com  
 E-mail: sales@pasternack.com

SIZE [CAGE CODE] DRAWN BY [ITEM NO]  
 A 53919 BPUCHASKI PEWCA1095

THIRD-ANGLE PROJECTION

THE INFORMATION AND DESIGN IN THIS DOCUMENT IS THE PROPERTY OF PASTERNAK CORPORATION ALL RIGHTS RESERVED.

SHEET 1 OF 1  
 SCALE N/A

REV A