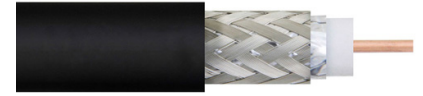


## Flexible LMR-200-FR Fire Rated Coax Cable Double Shielded with Black FRPE Jacket



### LMR-200-FR

#### Configuration

- Low Loss, Fire Flexible Cable
- 2 Shield(s)

#### Features

- Max Operating Frequency of 8 GHz
- Low Loss Cable
- Phase Velocity 83% VoP

#### Applications

- Laboratory Applications
- General Purpose RF Interconnect

#### Description

LMR-200-FR part number from Pasternack is a LMR-200-FR coax cable that is flexible. Pasternack LMR-200-FR flexible coax cable is 50 Ohm and has a PE dielectric. Our LMR-200-FR coax is constructed with a 0.195 jacket made of FRPE. LMR-200-FR coax has a shield count of 2, a RF shielding of 90 dB and the maximum frequency for this Pasternack cable is 8 GHz.

Pasternack LMR-200-FR coax cables are part of over 40,000 RF, microwave and millimeter wave components. LMR-200-FR cables and our other RF parts are available for same day shipping worldwide. Custom RF cable assemblies using LMR-200-FR or other coax can be built and shipped same day as well.

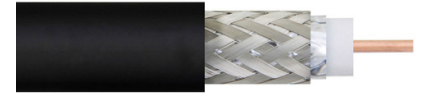
#### Electrical Specifications

Description	Minimum	Typical	Maximum	Units
Frequency Range	DC		8	GHz
Impedance		50		Ohms
Velocity of Propagation		83		%
Time Delay		1.22 [4]		ns/ft [ns/m]
Shielding Effectiveness	90			dB
Dielectric Withstanding Voltage (DC)			1,000	Vdc
Jacket Spark			3,000	Vrms
Inner Conductor DC Resistance			5.36	Ohms/1000ft
Outer Conductor DC Resistance			4.9	Ohms/1000ft
Nominal Capacitance		24.5 [80.38]		pF/ft [pF/m]
Nominal Inductance		0.061 [0.2]		uH/ft [uH/m]
Input Power (Peak)			2.5	kWatts

#### Performance by Frequency Band

Description	F1	F2	F3	F4	F5	Units
Frequency	50	150	220	450	900	MHz
Attenuation, Typ	2.3	4	4.8	7	9.9	dB/100ft
	7.55	13.12	15.75	22.97	32.48	dB/100m

Flexible LMR-200-FR Fire Rated Coax Cable  
Double Shielded with Black FRPE Jacket



**LMR-200-FR**

**Performance by Frequency Band**

Description	F1	F2	F3	F4	F5	Units
Input Power (CW), Max	790	450	370	260	180	Watts

Description	F6	F7	F8	F9	F10	Units
Frequency	1.8	2.5	5.8			GHz
Attenuation, Typ	14.2	16.9	26.4			dB/100ft
	46.59	55.45	86.61			dB/100m
Input Power (CW), Max	130	110	70			Watts

**Mechanical Specifications**

Diameter	0.195 in [4.95 mm]
Weight	0.028 lbs/ft [0.04 kg/m]
Min. Bend Radius (Installation)	0.5 in [12.7 mm]
Min. Bend Radius (Repeated)	2 in [50.8 mm]
Bending Moment	2 lbs-ft [2.71 N-m]
Tensile Strength	40 lbs [18.14 kg]
Flat Plate Crush	15 lbs/in [0.27 kg/mm]

**Construction Specifications**

Description	Material and Plating	Diameter
Inner Conductor	Copper, 1 Strand	0.044 in [1.12 mm]
Conductor Type	Solid	
Dielectric	PE	0.116 in [2.95 mm]
First Shield	Aluminum Tape	0.121 in [3.07 mm]
Second Shield	Tinned Copper Braid	0.144 in [3.66 mm]
Jacket	FRPE, Black	0.195 in [4.95 mm]

**Environmental Specifications**

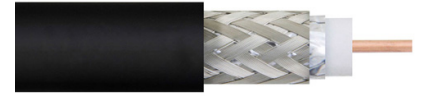
<b>Temperature</b>	
Operating Range	-40 to 185 deg C
Storage Range	-94 to 185 deg C

**Compliance Certifications** (see [product page](#) for current document)

**Plotted and Other Data**

Notes:

## Flexible LMR-200-FR Fire Rated Coax Cable Double Shielded with Black FRPE Jacket



### LMR-200-FR

Flexible LMR-200-FR Fire Rated Coax Cable Double Shielded with Black FRPE Jacket from Pasternack Enterprises has same day shipment for domestic and International orders. Our RF, microwave and millimeter wave products maintain a 99.4% availability and are part of the broadest selection in the industry.

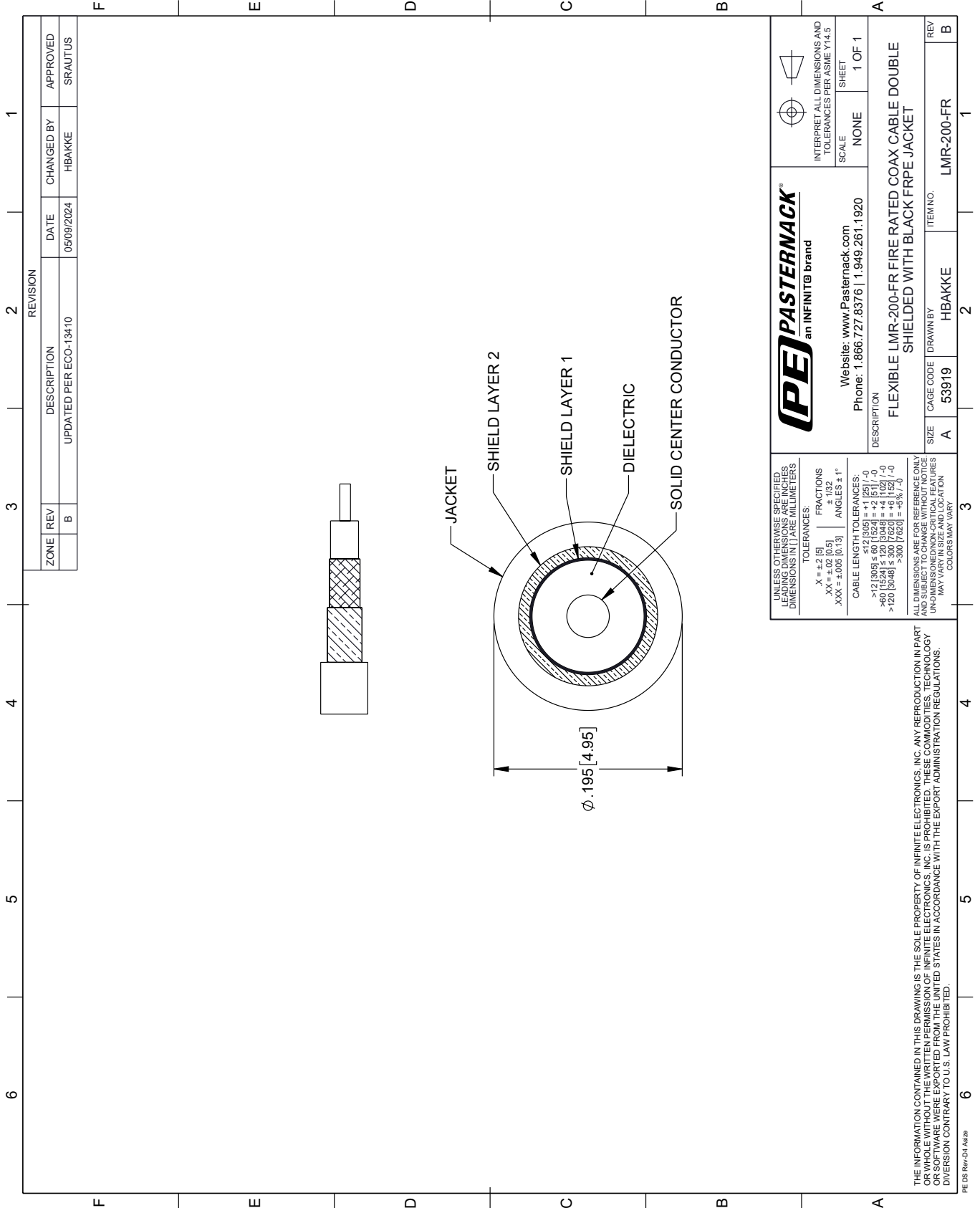
Click the following link (or enter part number in "SEARCH" on website) to obtain additional part information including price, inventory and certifications: [Flexible LMR-200-FR Fire Rated Coax Cable Double Shielded with Black FRPE Jacket LMR-200-FR](#)

URL: <https://www.pasternack.com/low-loss-lmr-200-fr-fire-rated-rated-coax-cable-double-shielded-with-black-frpe-jacket-p.aspx>

The information contained within this document is accurate to the best of our knowledge and representative of the part described herein. It may be necessary to make modifications to the part and/or the documentation of the part in order to implement improvements. Pasternack Enterprises reserves the right to make such changes as required. Unless otherwise stated, all specifications are nominal. Pasternack Enterprises does not make any representation or warranty regarding the suitability of the part described herein for any particular purpose, and Pasternack Enterprises does not assume liability arising out of the use of any part or document.

# LMR-200-FR CAD Drawing

Flexible LMR-200-FR Fire Rated Coax Cable Double Shielded with Black FRPE Jacket



REVISION		DATE	CHANGED BY	APPROVED
ZONE	REV	DESCRIPTION		
	B	UPDATED PER ECO-13410	HBAKKE	SRAUTUS

**PE PASTERNAK**  
an INFINITI® brand

Website: [www.Pasternack.com](http://www.Pasternack.com)  
Phone: 1.866.727.8376 | 1.949.261.1920

INTERPRET ALL DIMENSIONS AND TOLERANCES PER ASME Y14.5  
SCALE: NONE  
SHEET: 1 OF 1

DESCRIPTION: FLEXIBLE LMR-200-FR FIRE RATED COAX CABLE DOUBLE SHIELDED WITH BLACK FRPE JACKET

SIZE	CAGE CODE	DRAWN BY	ITEM NO.
A	53919	HBAKKE	LMR-200-FR

REV B

UNLESS OTHERWISE SPECIFIED, LEADING DIMENSIONS ARE IN INCHES AND TRAILING DIMENSIONS ARE IN MILLIMETERS

TOLERANCES:  
 .X = ±.2 [5]      FRACTIONS ± 1/32  
 .XX = ±.02 [0.5]      ANGLES ± 1°  
 .XXX = ±.005 [0.13]

CABLE LENGTH TOLERANCES:  
 >12 [305] ≤ 60 [1524] = ±.1 [2.5] / -0  
 >60 [1524] ≤ 120 [3048] = ±.4 [102] / -0  
 >120 [3048] ≤ 300 [7620] = ±.6 [15.2] / -0  
 >300 [7620] = ±.6 [15.2] / -0

ALL DIMENSIONS ARE FOR REFERENCE ONLY. UNLESS OTHERWISE SPECIFIED, DIMENSIONS ARE FOR THE CENTERLINE OF THE PART. DIMENSIONS OF NON-CRITICAL FEATURES MAY VARY IN SIZE AND LOCATION. COLORS MAY VARY.

THE INFORMATION CONTAINED IN THIS DRAWING IS THE SOLE PROPERTY OF INFINITE ELECTRONICS, INC. ANY REPRODUCTION IN PART OR WHOLE WITHOUT THE WRITTEN PERMISSION OF INFINITE ELECTRONICS, INC. IS PROHIBITED. THESE COMMODITIES, TECHNOLOGY OR SERVICES ARE EXPORTED FROM THE UNITED STATES IN ACCORDANCE WITH THE EXPORT ADMINISTRATION REGULATIONS. DIVERSION CONTRARY TO U.S. LAW PROHIBITED.

PE DS Rev-04 Add2