

Flexible LMR-200-UF Indoor/Outdoor Rated Coax Cable Double Shielded with Black TPE Jacket LMR-200-UF

RF Cables Technical Data Sheet

LMR-200-UF-BULK

Times Microwave Systems Coax Cable Specification Configuration

- Low Loss, Indoor/Outdoor Flexible Cable
- 2 Shield(s)

Features

- Easily Routed
- Low Loss Cable
- RF Shielding > 90dB
- Designed for Outdoor Use
- Watertight

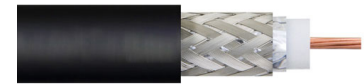
Applications

- Jumper Assemblies
- Short Antenna Feeder Runs
- Wireless Communications

Electrical Specifications

Description	Minimum	Typical	Maximum	Units
Frequency Range	DC		6	GHz
Impedance		50		Ohms
Velocity of Propagation		83		%
Time Delay		1.22 [4]		ns/ft [ns/m]
Shielding Effectiveness	90			dB
Dielectric Withstanding Voltage (DC)			1,000	Vdc
Jacket Spark			3,000	Vrms
Inner Conductor DC Resistance			7.5	Ohms/1000ft
Outer Conductor DC Resistance			4.9	Ohms/1000ft
Nominal Capacitance		24.5 [80.38]		pF/ft [pF/m]
Nominal Inductance		0.061 [0.2]		uH/ft [uH/m]
Input Power (Peak)			2.5	kWatts

Click the following link (or enter part number in "SEARCH" on website) to obtain additional part information including price, inventory and certifications: [Flexible LMR-200-UF Indoor/Outdoor Rated Coax Cable Double Shielded with Black TPE Jacket LMR-200-UF LMR-200-UF-BULK](#)



Flexible LMR-200-UF Indoor/Outdoor Rated Coax Cable Double Shielded with Black TPE Jacket LMR-200-UF

RF Cables Technical Data Sheet

LMR-200-UF-BULK

Performance by Frequency Band

Description	F1	F2	F3	F4	F5	Units
Frequency	50	150	220	450	900	MHz
Attenuation, Typ	2.7	4.8	5.8	8.3	11.9	dB/100ft
	8.86	15.75	19.03	27.23	39.04	dB/100m
Input Power (CW), Max	730	420	350	240	170	Watts

Description	F6	F7	F8	F9	F10	Units
Frequency	1.5	1.8	2	2.5	6	GHz
Attenuation, Typ	15.5	17.1	18	20.2	31.6	dB/100ft
	50.85	56.1	59.06	66.27	103.67	dB/100m
Input Power (CW), Max	130	120	110	100	60	Watts

Electrical Specification Notes:

Values at 25°C, sea level. // Attenuation = $0.385082 \cdot \sqrt{\text{FMHz}} + 0.000396$

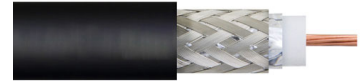
Mechanical Specifications

Diameter	0.195 in [4.95 mm]
Weight	0.022 lbs/ft [0.03 kg/m]
Min. Bend Radius (Installation)	0.5 in [12.7 mm]
Min. Bend Radius (Repeated)	2 in [50.8 mm]
Bending Moment	0.1 lbs-ft [0.14 N-m]
Tensile Strength	40 lbs [18.14 kg]
Flat Plate Crush	10 lbs/in [0.18 kg/mm]

Construction Specifications

Description	Material and Plating	Diameter
Inner Conductor	Copper, Strand	0.044 in [1.12 mm]
Conductor Type	Stranded	
Dielectric	PE (F)	0.116 in [2.95 mm]
First Shield	Aluminum Tape	0.121 in [3.07 mm]
Second Shield	Tinned Copper Braid	0.144 in [3.66 mm]

Click the following link (or enter part number in "SEARCH" on website) to obtain additional part information including price, inventory and certifications: [Flexible LMR-200-UF Indoor/Outdoor Rated Coax Cable Double Shielded with Black TPE Jacket LMR-200-UF LMR-200-UF-BULK](#)



Flexible LMR-200-UF Indoor/Outdoor Rated Coax Cable
Double Shielded with Black TPE Jacket LMR-200-UF

RF Cables
Technical Data Sheet

LMR-200-UF-BULK

Jacket	TPE, Black	0.195 in [4.95 mm]
--------	------------	--------------------

Environmental Specifications

Temperature

Operating Range	-40 to +85 deg C
Installation Range	-40 to +85 deg C
Storage Range	-70 to +85 deg C

Environmental Specification Notes:
Designed for indoor and outdoor use.

Compliance Certifications (see [product page](#) for current document)

Plotted and Other Data

Notes:

Flexible LMR-200-UF Indoor/Outdoor Rated Coax Cable Double Shielded with Black TPE Jacket LMR-200-UF from Pasternack Enterprises has same day shipment for domestic and International orders. Our RF, microwave and millimeter wave products maintain a 99.4% availability and are part of the broadest selection in the industry.

Click the following link (or enter part number in "SEARCH" on website) to obtain additional part information including price, inventory and certifications: [Flexible LMR-200-UF Indoor/Outdoor Rated Coax Cable Double Shielded with Black TPE Jacket LMR-200-UF LMR-200-UF-BULK](#)

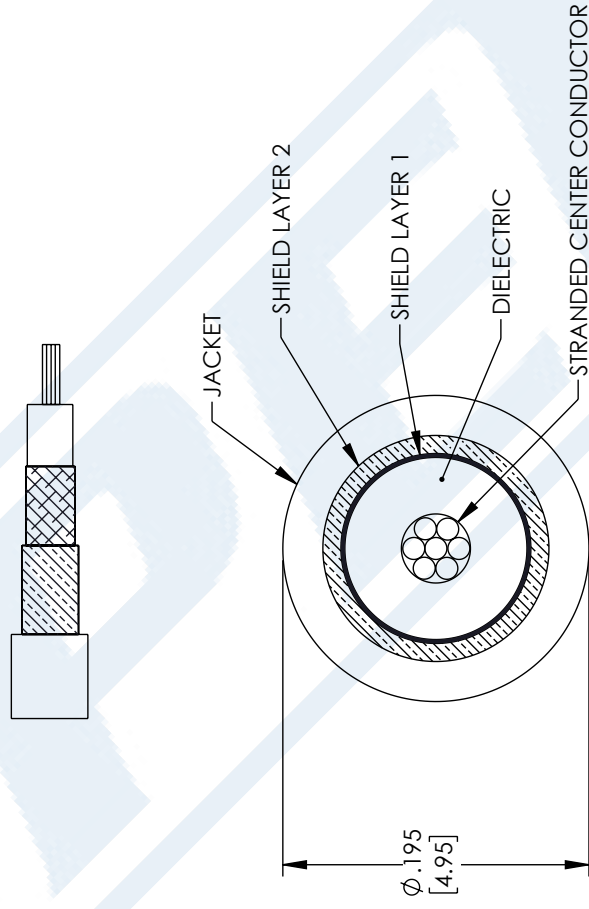
URL: <https://www.pasternack.com/50-ohm-flexible-lmr-200-uf-pe-jacket-tinned-copper-over-aluminum-tape-outer-conductor-single-shielded-black-lmr-200-uf-bulk-p.aspx>

The information contained in this document is accurate to the best of our knowledge and representative of the part described herein. It may be necessary to make modifications to the part and/or the documentation of the part, in order to implement improvements. Pasternack reserves the right to make such changes as required. Unless otherwise stated, all specifications are nominal. Pasternack does not make any representation or warranty regarding the suitability of the part described herein for any particular purpose, and Pasternack does not assume any liability arising out of the use of any part or documentation.

LMR-200-UF-BULK CAD Drawing

Flexible LMR-200-UF Indoor/Outdoor Rated Coax Cable Double Shielded with Black TPE Jacket LMR-200-UF

REVISIONS			
REV.	DESCRIPTION	DATE	APPROVED
A	INITIAL RELEASE	03/01/2022	AGANWANI



<p>UNLESS OTHERWISE SPECIFIED LEADING DIMENSIONS ARE INCHES DIMENSIONS IN [] ARE MILLIMETERS</p> <p>TOLERANCES:</p> <p>.X = ±.2 [.008] FRACTIONS ± 1/32 .XX = ±.02 [.51] ANGLES ± 1° .XXX = ±.005 [.13]</p> <p>CABLE LENGTH (L), TOLERANCES:</p> <p>L ≤ 12 [305] = +1 [25] / -0 12 [305] < L ≤ 60 [1524] = +2 [51] / -0 60 [1524] < L ≤ 120 [3048] = +4 [102] / -0 120 [3048] < L ≤ 300 [7620] = +6 [152] / -0 300 [7620] < L = +5% / -0</p> <p>ALL DIMENSIONS SHOWN ARE FOR REFERENCE ONLY.</p>	<p>PE PASTERNAK an INFINITI brand</p> <p>Pasternack Enterprises, Inc. P. O. Box 16759, Irvine, CA 92623. Phone: 1.949.261.1920 1.866.727.8376 Fax: 1.949.261.7451 Website: www.pasternack.com E-mail: sales@pasternack.com</p>	<p>THIRD-ANGLE PROJECTION</p> <p>THE INFORMATION AND DESIGN IN THIS DOCUMENT IS THE PROPERTY OF PASTERNAK CORPORATION ALL RIGHTS RESERVED.</p> <p>SHEET 1 OF 1</p>
		<p>SCALE N/A</p>
<p>SIZE A</p>	<p>CAGE CODE 53919</p>	<p>DRAWN BY DZINN</p>
<p>ITEM NO. LMR-200-UF-BULK</p>		<p>REV A</p>

THESE COMMODITIES, TECHNOLOGY OR SOFTWARE WERE EXPORTED FROM THE UNITED STATES IN ACCORDANCE WITH THE EXPORT ADMINISTRATION REGULATIONS. DIVERSION CONTRARY TO U.S. LAW PROHIBITED.