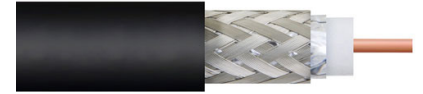


## Low Loss Flexible LMR-240-DB Rated Coax Cable Double Shielded with Black PE Jacket



### LMR-240-DB-BULK

#### Times Microwave Systems Coax Cable Specification

##### Configuration

- Low Loss Flexible Cable
- 2 Shield(s)

##### Features

- Easily Routed
- Low Loss Cable
- RF Shielding > 90dB
- Designed for Outdoor Use
- Watertight

##### Applications

- Jumper Assemblies
- Short Antenna Feeder Runs
- Wireless Communications

##### Description

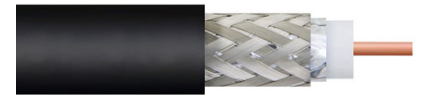
LMR-240-DB-BULK part number from Pasternack is a LMR-240-DB coax cable that is flexible. Pasternack LMR-240-DB flexible coax cable is 50 Ohm and has a PE (F) dielectric. Our LMR-240-DB coax is constructed with a 0.24 jacket made of PE. LMR-240-DB coax has a shield count of 2, a RF shielding of 90 dB and the maximum frequency for this Pasternack cable is 8 GHz. LMR-240-DB coax cable has an attenuation at 1 GHz of 7.66 dB.

Pasternack LMR-240-DB coax cables are part of over 40,000 RF, microwave and millimeter wave components. LMR-240-DB cables and our other RF parts are available for same day shipping worldwide. Custom RF cable assemblies using LMR-240-DB or other coax can be built and shipped same day as well.

#### Electrical Specifications

Description	Minimum	Typical	Maximum	Units
Frequency Range	DC		8	GHz
Impedance		50		Ohms
Velocity of Propagation		84		%
Time Delay		1.21 [3.97]		ns/ft [ns/m]
Shielding Effectiveness	90			dB
Dielectric Withstanding Voltage (DC)			1,500	Vdc
Jacket Spark			5,000	Vrms
Inner Conductor DC Resistance			3.2	Ohms/1000ft
Outer Conductor DC Resistance			3.89	Ohms/1000ft
Nominal Capacitance		24.2 [79.4]		pF/ft [pF/m]
Nominal Inductance		0.06 [0.2]		uH/ft [uH/m]
Input Power (Peak)			5.6	kWatts

Low Loss Flexible LMR-240-DB Rated Coax  
Cable Double Shielded with Black PE Jacket



**LMR-240-DB-BULK**

**Performance by Frequency Band**

Description	F1	F2	F3	F4	F5	Units
Frequency	50	150	220	450	900	MHz
Attenuation, Typ	1.7	3	3.7	5.3	7.6	dB/100ft
	5.58	9.84	12.14	17.39	24.93	dB/100m
Input Power (CW), Max	1,150	660	540	380	260	Watts

Description	F6	F7	F8	F9	F10	Units
Frequency	1.5	1.8	2	2.5	6	GHz
Attenuation, Typ	9.9	10.9	11.5	12.9	20.4	dB/100ft
	32.48	35.76	37.73	42.32	66.93	dB/100m
Input Power (CW), Max	200	180	170	150	100	Watts

Electrical Specification Notes:

Values at 25°C, sea level.//Attenuation = 0.242080\*sqrt(FMHz) + 0.000330

**Mechanical Specifications**

Diameter	0.24 in [6.1 mm]
Weight	0.034 lbs/ft [0.05 kg/m]
Min. Bend Radius (Installation)	0.75 in [19.05 mm]
Min. Bend Radius (Repeated)	2.5 in [63.5 mm]
Bending Moment	0.25 lbs-ft [0.34 N-m]
Tensile Strength	80 lbs [36.29 kg]
Flat Plate Crush	20 lbs/in [0.36 kg/mm]

**Construction Specifications**

Description	Material and Plating	Diameter
Inner Conductor	Copper, 1 Strand	0.056 in [1.42 mm]
Conductor Type	Solid	
Dielectric	PE (F)	0.15 in [3.81 mm]
First Shield	Aluminum Tape	0.155 in [3.94 mm]
Second Shield	Tinned Copper Braid	0.178 in [4.52 mm]
Jacket	PE, Black	0.24 in [6.1 mm]

**Environmental Specifications**

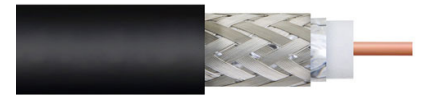
**Temperature**

Operating Range	-40 to +85 deg C
Installation Range	-40 to +85 deg C
Storage Range	-70 to +85 deg C

Environmental Specification Notes:

Designed for indoor and outdoor use.

## Low Loss Flexible LMR-240-DB Rated Coax Cable Double Shielded with Black PE Jacket



### LMR-240-DB-BULK

**Compliance Certifications** (see [product page](#) for current document)

#### Plotted and Other Data

Notes:

Low Loss Flexible LMR-240-DB Rated Coax Cable Double Shielded with Black PE Jacket from Pasternack Enterprises has same day shipment for domestic and International orders. Our RF, microwave and millimeter wave products maintain a 99.4% availability and are part of the broadest selection in the industry.

Click the following link (or enter part number in "SEARCH" on website) to obtain additional part information including price, inventory and certifications: [Low Loss Flexible LMR-240-DB Rated Coax Cable Double Shielded with Black PE Jacket LMR-240-DB-BULK](#)

URL: <https://www.pasternack.com/low-loss-flexible-lmr240db-pe-jacket-double-shielded-black-lmr-240-db-bulk-p.aspx>

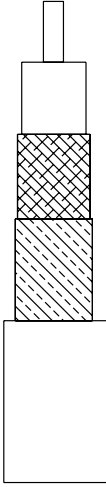
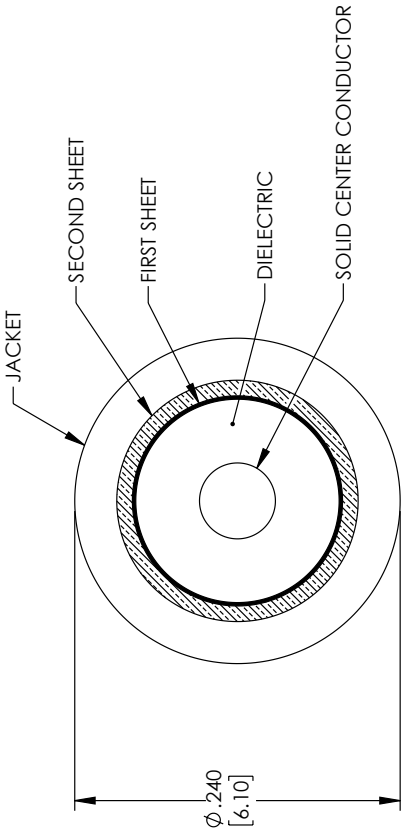
The information contained within this document is accurate to the best of our knowledge and representative of the part described herein. It may be necessary to make modifications to the part and/or the documentation of the part in order to implement improvements. Pasternack Enterprises reserves the right to make such changes as required. Unless otherwise stated, all specifications are nominal. Pasternack Enterprises does not make any representation or warranty regarding the suitability of the part described herein for any particular purpose, and Pasternack Enterprises does not assume liability arising out of the use of any part or document.

# LMR-240-DB-BULK CAD Drawing


Low Loss Flexible LMR-240-DB Rated Coax Cable Double Shielded with Black PE Jacket

REVISIONS		
REV.	DESCRIPTION	DATE
A	INITIAL RELEASE	03/10/2022
	APPROVED	AGANWANI

<p>UNLESS OTHERWISE SPECIFIED LEADING DIMENSIONS ARE INCHES DIMENSIONS IN [ ] ARE MILLIMETERS</p> <p><b>TOLERANCES:</b></p> <p>X = ±.2 [5.08]      FRACTIONS ± 1/32</p> <p>.XX = ±.02 [ .51 ]      ANGLES ± 1°</p> <p>.XXX = ±.005 [ .13 ]</p> <p><b>CABLE LENGTH (L) TOLERANCES:</b></p> <p>L ≤ 12 [305] = ±1.0% / -0</p> <p>12 [305] &lt; L ≤ 60 [1524] = ±2.6% / -0</p> <p>60 [1524] &lt; L ≤ 120 [3048] = ±4.1% / -0</p> <p>120 [3048] &lt; L ≤ 300 [7620] = ±6.1% / -0</p> <p>300 [7620] &lt; L = ±5% / -0</p> <p>ALL DIMENSIONS SHOWN ARE FOR REFERENCE ONLY.</p>	<p><b>PE PASTERNAK</b> an INFINITE brand</p> <p>Pasternack Enterprises, Inc. P.O. Box 16759, Irvine, CA 92623. Phone: 1.949.261.1920   1.866.727.8376 Fax: 1.949.261.7451 Website: www.pasternack.com E-mail: sales@pasternack.com</p>	<p>THIRD-ANGLE PROJECTION</p>  <p>THE INFORMATION AND DIMENSIONS ON THIS DRAWING ARE THE PROPERTY OF PASTERNAK CORPORATION. ALL RIGHTS RESERVED.</p> <p>SHEET 1 OF 1</p> <p>SCALE N/A</p>
<p>SIZE A</p>	<p>CAGE CODE 53919</p>	<p>DRAWN BY DZINN</p>
<p>ITEM NO. LMR-240-DB-BULK</p>		
<p>REV. A</p>		

THESE COMMODITIES, TECHNOLOGY OR SOFTWARE WERE EXPORTED FROM THE UNITED STATES IN ACCORDANCE WITH THE EXPORT ADMINISTRATION REGULATIONS. DIVERSION CONTRARY TO U.S. LAW PROHIBITED.

T-Rev. D