

Semirigid Coax Cable 0.020 Diameter With Copper Outer Conductor

RF Cables Technical Data Sheet

PE-020SR

Configuration

- Semi-Rigid Cable
- 1 Shield(s)

Electrical Specifications

| Description | Minimum | Typical | Maximum | Units |
|--------------------------------------|---------|---------|---------|-------|
| Frequency Range | DC | | 27 | GHz |
| Impedance | | 50 | | Ohms |
| Dielectric Withstanding Voltage (AC) | | | 750 | Vrms |

Performance by Frequency Band

| Description | F1 | F2 | F3 | F4 | F5 | Units |
|-----------------------|--------|--------|----------|----|----|---------------------|
| Frequency | 1 | 10 | 20 | | | GHz |
| Attenuation, Max | 85 | 280 | 380 | | | dB/100ft dB/100m |
| | 278.87 | 918.64 | 1,246.72 | | | |
| Input Power (CW), Max | 7.5 | 2.6 | 2 | | | Watts |

Mechanical Specifications

Min. Bend Radius (Repeated) 0.05 in [1.27 mm]

Construction Specifications

| Description | Material and Plating | Diameter |
|-----------------|-------------------------------------|--------------------|
| Inner Conductor | Copper Clad Steel, Silver, 1 Strand | 0.004 in 0.1 mm |
| Conductor Type | Solid | |
| Dielectric | PTFE | 0.015 in [0.38 mm] |
| Outer Conductor | Copper | 0.02 in 0.51 mm |
| Jacket | Tan | |

Click the following link (or enter part number in "SEARCH" on website) to obtain additional part information including price, inventory and certifications: [Semirigid Coax Cable 0.020 Diameter With Copper Outer Conductor PE-020SR](#)

Semirigid Coax Cable 0.020 Diameter With Copper Outer Conductor

RF Cables Technical Data Sheet

PE-020SR

Environmental Specifications

Temperature

Operating Range

-55 to +85 deg C

Compliance Certifications (see [product page](#) for current document)

Plotted and Other Data

Notes:

Semirigid Coax Cable 0.020 Diameter With Copper Outer Conductor from Pasternack Enterprises has same day shipment for domestic and International orders. Our RF, microwave and millimeter wave products maintain a 99.4% availability and are part of the broadest selection in the industry.

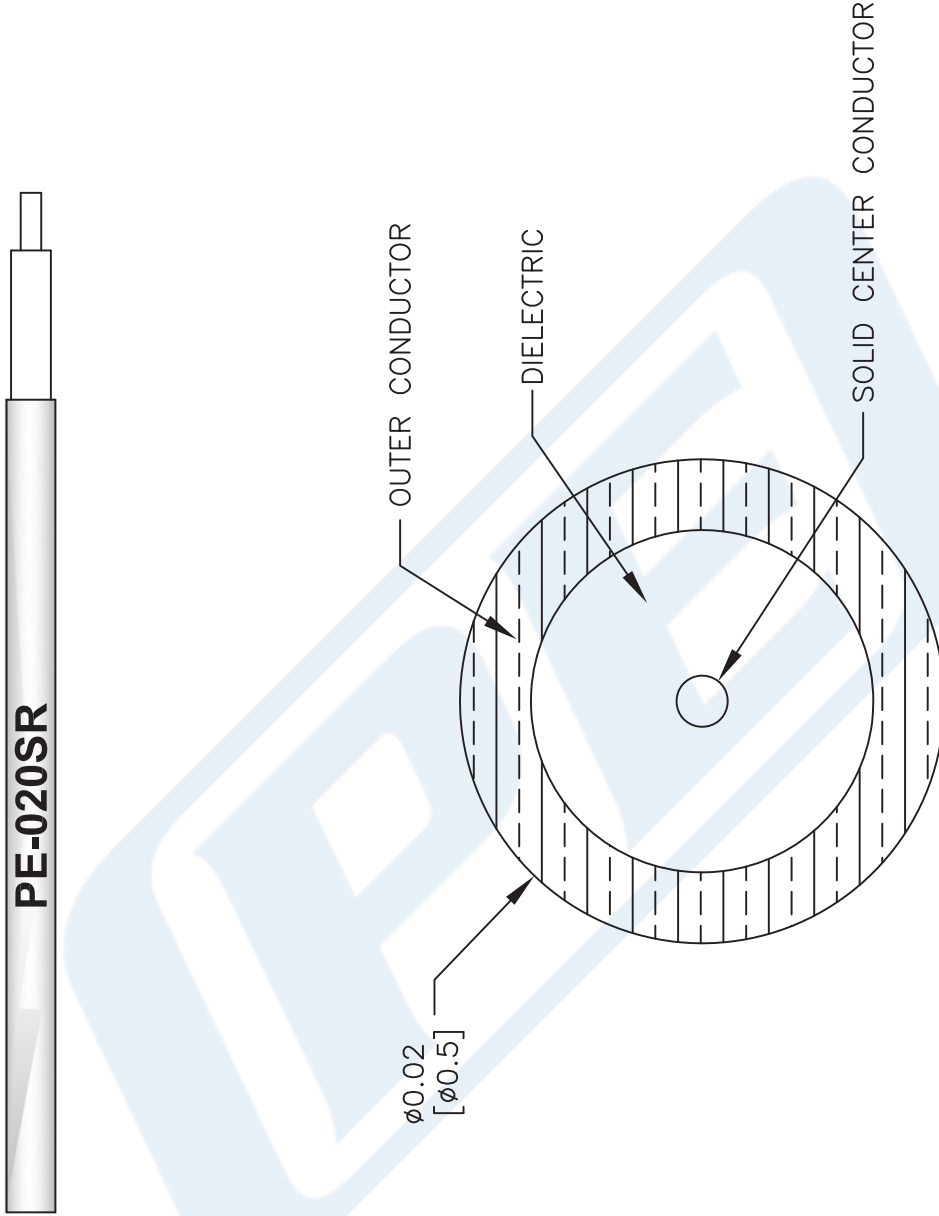
Click the following link (or enter part number in "SEARCH" on website) to obtain additional part information including price, inventory and certifications: [Semirigid Coax Cable 0.020 Diameter With Copper Outer Conductor PE-020SR](#)

URL: <https://www.pasternack.com/semirigid-0.020-50-ohm-coax-cable-copper-pe-020sr-p.aspx>

The information contained in this document is accurate to the best of our knowledge and representative of the part described herein. It may be necessary to make modifications to the part and/or the documentation of the part, in order to implement improvements. Pasternack reserves the right to make such changes as required. Unless otherwise stated, all specifications are nominal. Pasternack does not make any representation or warranty regarding the suitability of the part described herein for any particular purpose, and Pasternack does not assume any liability arising out of the use of any part or documentation.

PE-020SR CAD Drawing

Semirigid Coax Cable 0.020 Diameter With Copper Outer Conductor



PE-020SR

DWG TITLE

PE-020SR

NOTES:
1. UNLESS OTHERWISE SPECIFIED ALL DIMENSIONS ARE NOMINAL.
2. ALL SPECIFICATIONS ARE SUBJECT TO CHANGE WITHOUT NOTICE AT ANY TIME.
3. DIMENSIONS ARE IN INCHES (mm).

FSCM NO. 53919

SCALE N/A

SIZE A

41742

PE PASTERNAK
THE ENGINEER'S RF SOURCE

Pasternack Enterprises, Inc.
P.O. Box 16759 | Irvine | CA | 92623
Phone: (949) 261-1920 | Fax: (949) 261-7451
Website: www.pasternack.com | E-Mail: sales@pasternack.com