

# 141 Semi-rigid Coax Cable with Tinned Aluminum Outer Conductor

## RF Cables Technical Data Sheet

PE-SR402AL-STRAIGHT

### Configuration

- Semi-Rigid Cable
- 1 Shield(s)

### Electrical Specifications

| Description                          | Minimum | Typical | Maximum | Units |
|--------------------------------------|---------|---------|---------|-------|
| Frequency Range                      | DC      |         | 36      | GHz   |
| Impedance                            |         | 50      |         | Ohms  |
| Velocity of Propagation              |         | 69.5    |         | %     |
| Dielectric Withstanding Voltage (AC) |         |         | 5,000   | Vrms  |

### Performance by Frequency Band

| Description           | F1    | F2     | F3     | F4 | F5 | Units               |
|-----------------------|-------|--------|--------|----|----|---------------------|
| Frequency             | 1     | 10     | 20     |    |    | GHz                 |
| Attenuation, Typ      | 13    | 46     | 71     |    |    | dB/100ft<br>dB/100m |
|                       | 42.65 | 150.92 | 232.94 |    |    |                     |
| Input Power (CW), Max | 450   | 120    | 70     |    |    | Watts               |

### Mechanical Specifications

|                                 |                          |
|---------------------------------|--------------------------|
| Diameter                        | 0.141 in [3.58 mm]       |
| Weight                          | 0.019 lbs/ft [0.03 Kg/m] |
| Min. Bend Radius (Installation) | 0.1 in [2.54 mm]         |

### Construction Specifications

| Description     | Material and Plating                | Diameter         |
|-----------------|-------------------------------------|------------------|
| Inner Conductor | Copper Clad Steel, Silver, 1 Strand | 0.036 in 0.91 mm |
| Conductor Type  | Solid                               |                  |
| Dielectric      | PTFE                                | 0.118 in [3 mm]  |
| First Shield    | Tinned Aluminum                     | 0.141 in 3.58 mm |

Click the following link (or enter part number in "SEARCH" on website) to obtain additional part information including price, inventory and certifications: [141 Semi-rigid Coax Cable with Tinned Aluminum Outer Conductor PE-SR402AL-STRAIGHT](#)

## 141 Semi-rigid Coax Cable with Tinned Aluminum Outer Conductor

### RF Cables Technical Data Sheet

PE-SR402AL-STRAIGHT

#### Environmental Specifications

##### Temperature

Operating Range

-55 to +125 deg C

**Compliance Certifications** (see [product page](#) for current document)

#### Plotted and Other Data

Notes:

141 Semi-rigid Coax Cable with Tinned Aluminum Outer Conductor from Pasternack Enterprises has same day shipment for domestic and International orders. Our RF, microwave and millimeter wave products maintain a 99.4% availability and are part of the broadest selection in the industry.

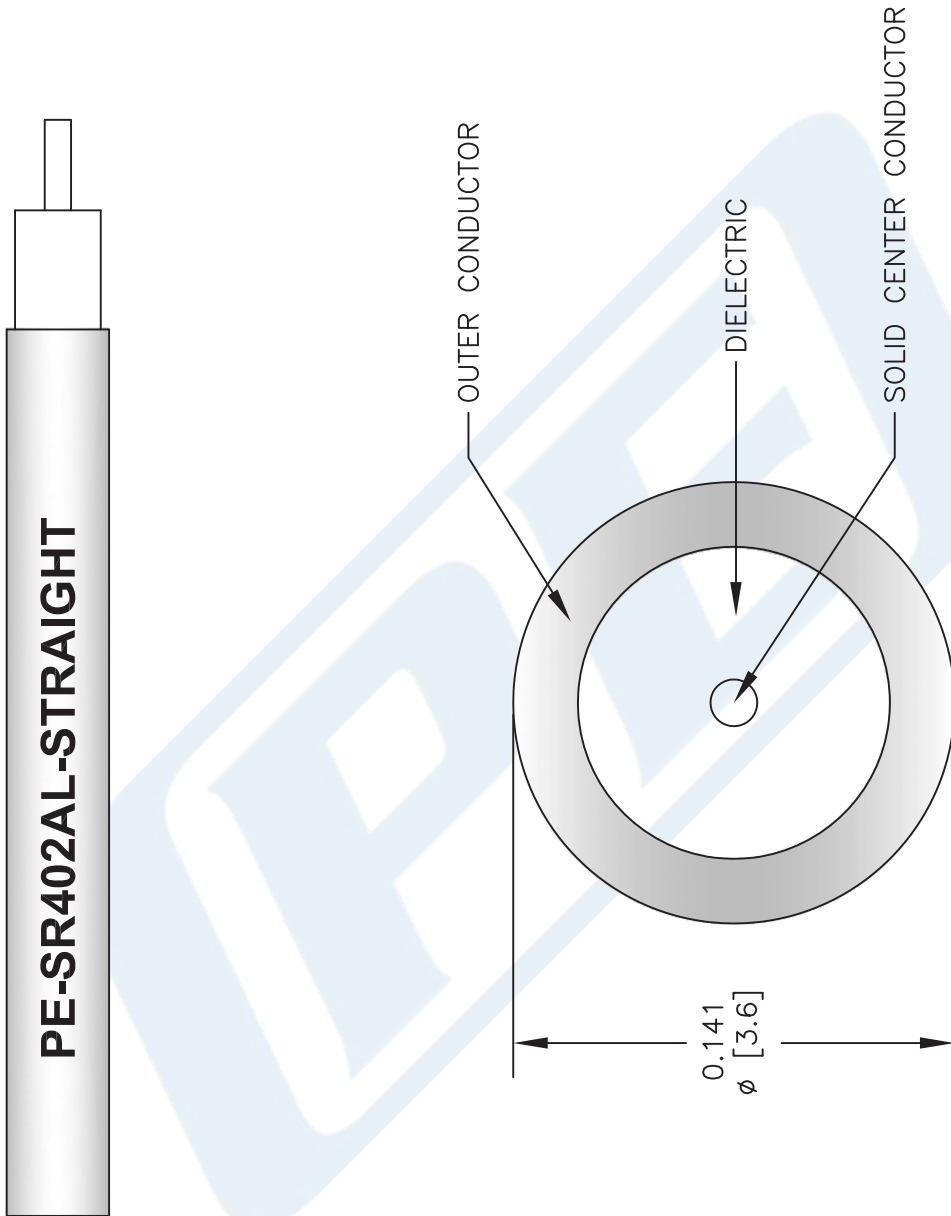
Click the following link (or enter part number in "SEARCH" on website) to obtain additional part information including price, inventory and certifications: [141 Semi-rigid Coax Cable with Tinned Aluminum Outer Conductor PE-SR402AL-STRAIGHT](#)

URL: <https://www.pasternack.com/50-ohm-semi-rigid-141-semi-rigid-tinned-aluminum-pe-sr402al-straight-p.aspx>

The information contained in this document is accurate to the best of our knowledge and representative of the part described herein. It may be necessary to make modifications to the part and/or the documentation of the part, in order to implement improvements. Pasternack reserves the right to make such changes as required. Unless otherwise stated, all specifications are nominal. Pasternack does not make any representation or warranty regarding the suitability of the part described herein for any particular purpose, and Pasternack does not assume any liability arising out of the use of any part or documentation.

# PE-SR402AL-STRAIGHT CAD Drawing

141 Semi-rigid Coax Cable with Tinned Aluminum Outer Conductor



NOTES:  
 1. UNLESS OTHERWISE SPECIFIED ALL DIMENSIONS ARE NOMINAL.  
 2. ALL SPECIFICATIONS ARE SUBJECT TO CHANGE WITHOUT NOTICE AT ANY TIME.  
 3. DIMENSIONS ARE IN INCHES [mm].

DWG TITLE  
**PE-SR402AL-STRAIGHT**

FSCM NO. 53919

CAD FILE 073113 SCALE N/A SIZE A 2233

**PE PASTERNAK®**  
 Pasternack Enterprises, Inc.  
 P.O. Box 16759 | Irvine | CA | 92623  
**Phone:** (949) 261-1920 | **Fax:** (949) 261-7451  
**Website:** www.pasternack.com | **E-Mail:** sales@pasternack.com