



WR-137 Commercial Grade Straight Waveguide
Section 3 Inch Length with CPR-137G Flange
Operating from 5.85 GHz to 8.2 GHz

TECHNICAL DATA SHEET

PE-W137S002-3

Pasternack's waveguide sections are constructed of a high quality copper alloy designed to provide VSWR as low as 1.03:1. Waveguide sections range from WR-12 up to WR-137 and include grooved and non-grooved designs. Standard lengths of Pasternack waveguide sections range from 3" to 12" in 3" increments and each waveguide section is labeled for easy identification. Custom lengths are also available on request. Standard sections of waveguide are painted in gray and our instrumentation-grade versions are gold plated.

Features

- WR-12 to WR-137 Waveguide Sections
- Grooved and Non-Grooved Flanges Available
- Sections Covering Frequencies from 5.8 to 90 GHz
- E-Bends, H-Bends, Filters, Terminations and Waveguide to Coax adapters are also available
- Custom lengths are also available on request

Electrical Specifications

Description	Minimum	Typical	Maximum	Units
Frequency Range	5.85		8.2	GHz
VSWR		1.03:1		
Insertion Loss		0.1 [0.33]		dB/ft [dB/m]

Mechanical Specifications

Waveguide Size: WR-137
Waveguide Design: Commercial Grade
Section Length: 3 in [76.2 mm]

Description	Flange 1	Waveguide	Flange 2
Flange Type	CPR-137G		CPR-137G
Flange Designation	None	WR-137	None
Material	Copper Alloy	Copper Alloy	Copper Alloy
Plating	Paint	Paint	Paint
Color	Gray	Gray	Gray

Size

Weight: 0.8725 lbs [395.76 g]

Compliance Certifications (see [product page](#) for current document)

Notes:

- Values at +25 °C, sea level

Click the following link (or enter part number in "SEARCH" on website) to obtain additional part information including price, inventory and certifications: [WR-137 Commercial Grade Straight Waveguide Section 3 Inch Length with CPR-137G Flange Operating from 5.85 GHz to 8.2 GHz PE-W137S002-3](#)



WR-137 Commercial Grade Straight Waveguide
Section 3 Inch Length with CPR-137G Flange
Operating from 5.85 GHz to 8.2 GHz

TECHNICAL DATA SHEET

PE-W137S002-3

WR-137 Commercial Grade Straight Waveguide Section 3 Inch Length with CPR-137G Flange Operating from 5.85 GHz to 8.2 GHz from Pasternack Enterprises has same day shipment for domestic and International orders. Our RF, microwave and millimeter wave products maintain a 99.4% availability and are part of the broadest selection in the industry.

Click the following link (or enter part number in "SEARCH" on website) to obtain additional part information including price, inventory and certifications: [WR-137 Commercial Grade Straight Waveguide Section 3 Inch Length with CPR-137G Flange Operating from 5.85 GHz to 8.2 GHz PE-W137S002-3](https://www.pasternack.com/wr-137-straight-waveguide-section-cpr137g-flange-5.85-8.2-ghz-pe-w137s002-3-p.aspx)

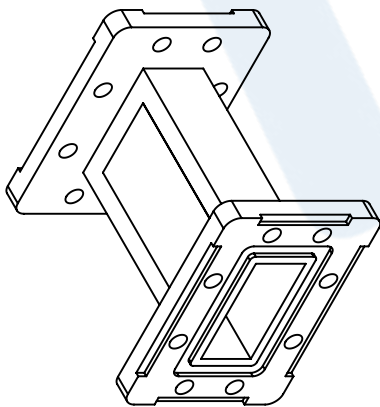
URL: <https://www.pasternack.com/wr-137-straight-waveguide-section-cpr137g-flange-5.85-8.2-ghz-pe-w137s002-3-p.aspx>

The information contained in this document is accurate to the best of our knowledge and representative of the part described herein. It may be necessary to make modifications to the part and/or the documentation of the part, in order to implement improvements. Pasternack reserves the right to make such changes as required. Unless otherwise stated, all specifications are nominal. Pasternack does not make any representation or warranty regarding the suitability of the part described herein for any particular purpose, and Pasternack does not assume any liability arising out of the use of any part or documentation.

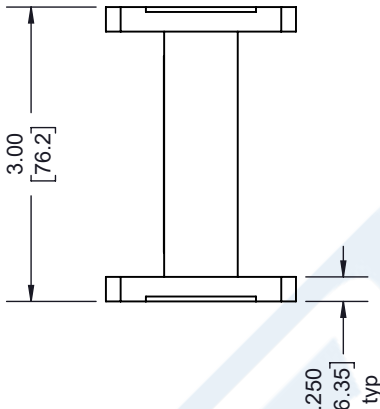
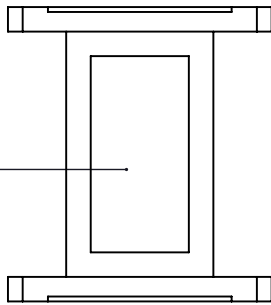
PE-W137S002-3 CAD Drawing

WR-137 Commercial Grade Straight Waveguide Section 3 Inch Length with CPR-137G Flange Operating from 5.85 GHz to 8.2 GHz

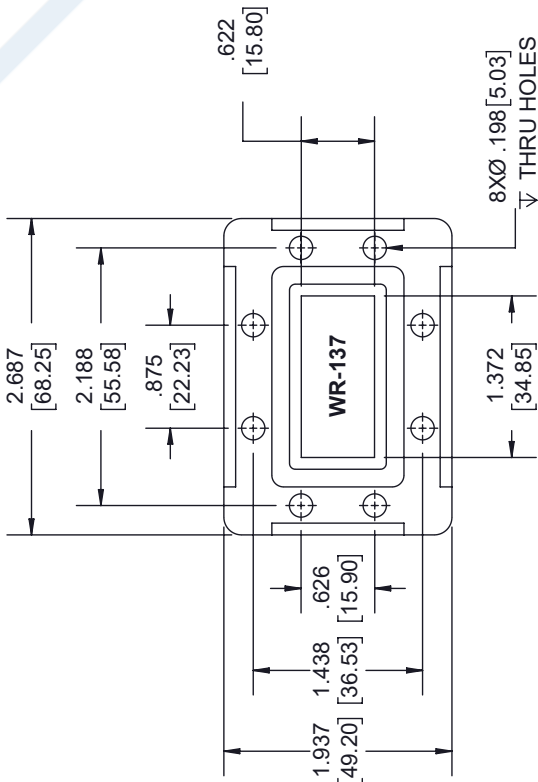
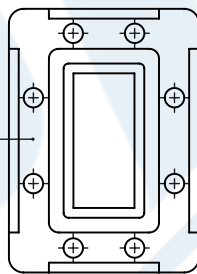
REVISIONS			
REV.	DESCRIPTION	DATE	APPROVED
B	PCR PE-W137S002-3	1/13/2022	S.PONG



LABEL PER ILS-100-03
(SEE NOTE 1)



WR-137
CPR-137G FLANGE
TYP



FLANGE DETAIL

NOTES:

- LABEL PER ILS-100-03 FOR INTERNAL USE ONLY.
LABEL LOCATION FOR REFERENCE ONLY.

THESE COMMODITIES, TECHNOLOGY OR SOFTWARE WERE EXPORTED FROM THE UNITED STATES IN ACCORDANCE WITH THE EXPORT ADMINISTRATION REGULATIONS. DIVERSION CONTRARY TO U.S. LAW PROHIBITED.

UNLESS OTHERWISE SPECIFIED LEADING DIMENSIONS ARE INCHES DIMENSIONS IN [] ARE MILLIMETERS

TOLERANCES:

.X = ±.2 [5.08] FRACTIONS ± 1/32
.XX = ±.02 [.51] ANGLES ± 1°
.XXX = ±.005 [.13]

CABLE LENGTH (L), TOLERANCES:
L ≤ 12 [305] = +1 [25] / -0
12 [305] < L ≤ 60 [1524] = +2 [51] / -0
60 [1524] < L ≤ 120 [3048] = +4 [102] / -0
120 [3048] < L ≤ 300 [7620] = +6 [152] / -0
300 [7620] < L = +5% / -0

ALL DIMENSIONS SHOWN ARE FOR REFERENCE ONLY.

PE PASTERNAK
an INFINITE brand

Pasternack Enterprises, Inc.
P. O. Box 16759, Irvine, CA 92623.
Phone: 1.949.261.1920 | 1.866.727.8376
Fax: 1.949.261.7451
Website: www.pasternack.com
E-mail: sales@pasternack.com

THIRD-ANGLE PROJECTION

THE INFORMATION AND DESIGN IN THIS DOCUMENT IS THE PROPERTY OF PASTERNAK CORPORATION ALL RIGHTS RESERVED.

SHEET 1 OF 1

SCALE N/A

SIZE A CAGE CODE 53919 DRAWN BY K.DANG ITEM NO. PE-W137S002-3 REV B