



WR-22 Waveguide Direct Read Attenuator, 0 to 60 dB, from 33 GHz to 50 GHz, UG-383/U Round Cover Flange, Dial

Waveguide Direct Read Attenuators Technical Data Sheet

PE-W22AT5002

Features

- WR-22 Waveguide
- 33 to 50 GHz
- 0 to 50 dB minimum attenuation range
- Stable base with height adjustable feet (1/2 inch)
- UG-383/U Flange
- 1.15:1 Maximum VSWR
- 2% attenuation accuracy over most of the attenuation range.
- 0.5 Watt Maximum Power
- Easy to read drum scale

Applications

- Instrumentation
- System Calibration
- Research and Development
- Test Benches

Description

The PE-W22AT5002 is a continuously variable attenuator that has “direct read” capability which allows the user to dial-in the amount of attenuation needed to within 2% accuracy over most of the attenuation range. Designed for the WR-22 frequency range (33 to 50 GHz), it is constructed using a precision rotary resistive vane in a circular waveguide. The attenuation level is stable, highly repeatable and accurate across the full frequency and attenuation range. This attenuator is ideal for precision measurements in demanding applications like instrumentation and system calibration.

Electrical Specifications

Description	Minimum	Typical	Maximum	Units
Frequency Range	33		50	GHz
Attenuation	0		60	dB
Accuracy		±0.1		dB
VSWR			1.15:1	
Insertion Loss		0.6		dB
Input Power (CW)			0.5	Watts

Attenuation Accuracy

Description	F1	F2	F3	F4	F5	Units
Attenuation Setting	10	20	30	40	50	dB
Accuracy	±0.2	±0.4	±0.6	±1.6	±2	dB

Click the following link (or enter part number in “SEARCH” on website) to obtain additional part information including price, inventory and certifications: [WR-22 Waveguide Direct Read Attenuator, 0 to 60 dB, from 33 GHz to 50 GHz, UG-383/U Round Cover Flange, Dial PE-W22AT5002](#)



WR-22 Waveguide Direct Read Attenuator, 0 to 60 dB, from 33 GHz to 50 GHz, UG-383/U Round Cover Flange, Dial

Waveguide Direct Read Attenuators Technical Data

PE-W22AT5002

Mechanical Specifications

Size	
Length	4.75 in [120.65 mm]
Width	6.25 in [158.75 mm]
Weight	45.83 lbs [20.79 kg]
Tuner Body Material and Plating	Aluminum
Tuner Finish	Black

Description	Flange 1	Waveguide	Flange 2
Designation	UG-383/U	WR-22	UG-383/U
Type	Round Cover		Round Cover
Material	Brass	Brass	Brass
Plating	Gold	Gold	Gold
Plating Specification	ASTMB488	ASTMB488	ASTMB488
Finish	Gold	Gold	Gold

Compliance Certifications (see [product page](#) for current document)

Plotted and Other Data

Notes:

WR-22 Waveguide Direct Read Attenuator, 0 to 60 dB, from 33 GHz to 50 GHz, UG-383/U Round Cover Flange, Dial from Pasternack Enterprises has same day shipment for domestic and International orders. Our RF, microwave and millimeter wave products maintain a 99.4% availability and are part of the broadest selection in the industry.

Click the following link (or enter part number in "SEARCH" on website) to obtain additional part information including price, inventory and certifications: [WR-22 Waveguide Direct Read Attenuator, 0 to 60 dB, from 33 GHz to 50 GHz, UG-383/U Round Cover Flange, Dial PE-W22AT5002](#)

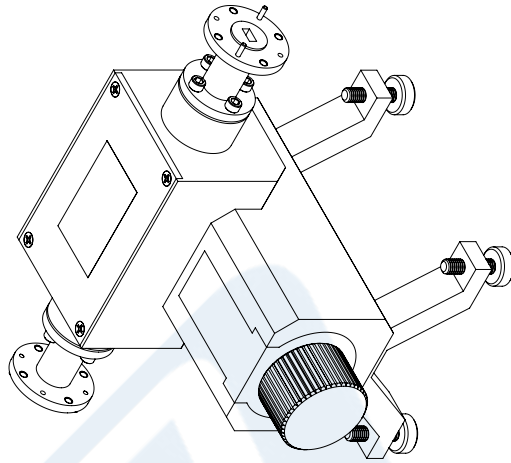
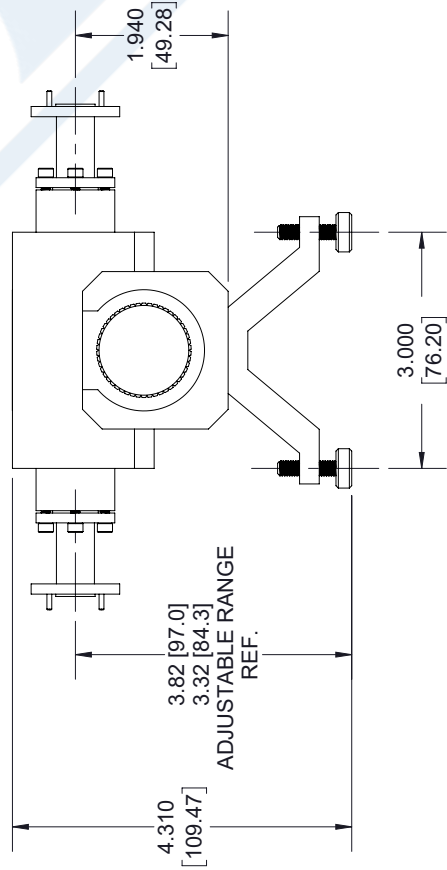
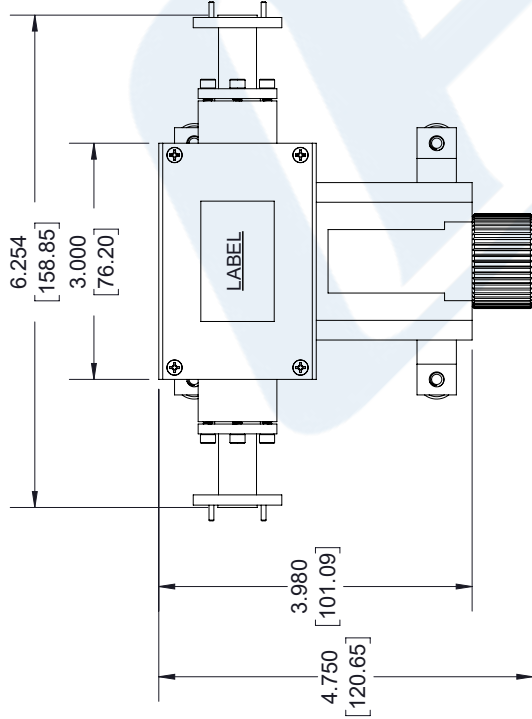
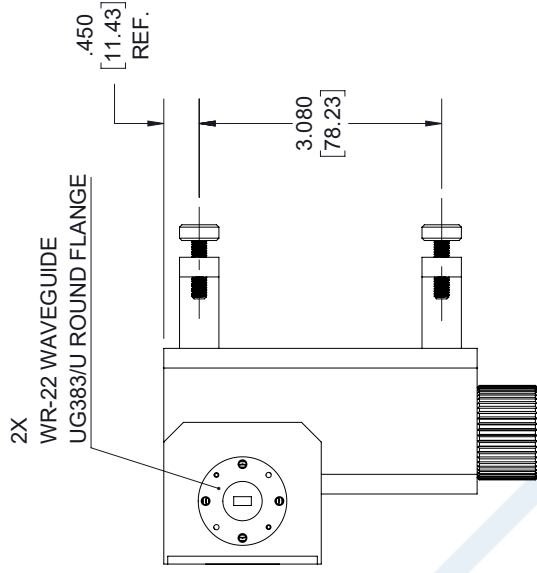
URL: <https://www.pasternack.com/wr-22-waveguide-direct-read-attenuator-60db-50-ghz-ug383-round-pe-w22at5002-p.aspx>

The information contained in this document is accurate to the best of our knowledge and representative of the part described herein. It may be necessary to make modifications to the part and/or the documentation of the part, in order to implement improvements. Pasternack reserves the right to make such changes as required. Unless otherwise stated, all specifications are nominal. Pasternack does not make any representation or warranty regarding the suitability of the part described herein for any particular purpose, and Pasternack does not assume any liability arising out of the use of any part or documentation.

PE-W22AT5002 CAD Drawing

WR-22 Waveguide Direct Read Attenuator, 0 to 60 dB, from
33 GHz to 50 GHz, UG-383/U Round Cover Flange, Dial

REVISIONS			
REV.	DESCRIPTION	DATE	APPROVED
A	INITIAL RELEASE	08/27/19	S. PONG



UNLESS OTHERWISE SPECIFIED
LEADING DIMENSIONS ARE INCHES
DIMENSIONS IN [] ARE MILLIMETERS

TOLERANCES:
X±.2 [5.08] FRACTIONS
XX±.01 [.25] ±.132
.XXX±.005 [.13] ANGLES ± 1°

ALL DIMENSIONS SHOWN
ARE FOR REFERENCE ONLY.

THIRD-ANGLE PROJECTION

PE PASTERNAK
an INFINITO brand

Pasternack Enterprises, Inc.
P.O. Box 16759, Irvine, CA 92623.
Phone: 1.949.261.1920 | 1.866.727.8376
Fax: 1.949.261.7451
www.pasternack.com | e-mail: sales@pasternack.com

THE INFORMATION AND
DESIGN IN THIS DOCUMENT
IS THE PROPERTY OF
PASTERNAK CORPORATION.
ALL RIGHTS RESERVED.

SHEET 1 OF 1
SCALE N/A

REV A

SIZE A
CAGE 53919
DRAWN BY K.DANG
PART NUMBER PE-W22AT5002

LABEL
PASTERNAK
PE-W22AT5002
D/C: YYWW

THESE COMMODITIES, TECHNOLOGY OR SOFTWARE WERE EXPORTED FROM THE UNITED STATES IN ACCORDANCE WITH THE EXPORT
ADMINISTRATION REGULATIONS. DIVERSION CONTRARY TO U.S. LAW PROHIBITED.