



2 Way 2.92mm Power Divider from 18 GHz to 40 GHz Rated at 20 Watts

Power Dividers Technical Data Sheet

PE20DV1064

Features

- 2-Way Power Divider
- High Power Wilkinson Design
- 18 to 40 GHz Frequency Range
- Max Power 20 Watts (CW)
- Insertion Loss < 1.2 dB
- Isolation > 16 dB

Applications

- Test and Measurement
- Military Communications
- Commercial Communications
- Wireless Communications
- SATCOM

Description

Pasternack carries a wide selection of power dividers to fit your needs. These components are essential in many systems, allowing the combination of multiple signals or splitting of a single signal into multiple signals with equal magnitude and phase. Pasternack's resistive and Wilkinson power dividers come with excellent performance featuring minimal loss, high isolation and low VSWR. They are available in both narrow and broad bandwidths with a variety of connector types such as 2.92mm, BNC, N and SMA.

The PE20DV1064 is a 2-way high power Wilkinson power divider that operates from 18 to 40 GHz and can handle up to 20 Watts (CW) with 1.2 dB max insertion loss and 16 dB min isolation. The package interface uses 2.92mm female connectors and is REACH and RoHS compliant.

Electrical Specifications

| | |
|------------------------|-----------|
| Design | Wilkinson |
| Number of Output Ports | 2 |

| Description | Minimum | Typical | Maximum | Units |
|--------------------|---------|---------|---------|---------|
| Frequency Range | 18 | | 40 | GHz |
| Impedance | | 50 | | Ohms |
| Input VSWR | | 1.4:1 | 1.5:1 | |
| Output VSWR | | 1.4:1 | 1.5:1 | |
| Insertion Loss | | 0.7 | 1.2 | dB |
| Isolation | 16 | | | dB |
| Amplitude Balance | | ±0.2 | ±0.4 | dB |
| Phase Balance | | ±3 | ±4 | Degrees |
| Input Power (CW) | | | 20 | Watts |
| Reverse Power (CW) | | | 0.5 | Watts |
| Input Power (Peak) | | | 200 | Watts |

Click the following link (or enter part number in "SEARCH" on website) to obtain additional part information including price, inventory and certifications: [2 Way 2.92mm Power Divider from 18 GHz to 40 GHz Rated at 20 Watts PE20DV1064](#)



2 Way 2.92mm Power Divider from 18 GHz
to 40 GHz Rated at 20 Watts

Power Dividers Technical Data Sheet

PE20DV1064

Mechanical Specifications

Size

| | |
|--------|--------------------|
| Length | 0.75 in [19.05 mm] |
| Width | 1.02 in [25.91 mm] |
| Height | 0.39 in [9.91 mm] |
| Weight | 0.0485 lbs [22 g] |

Housing Material and Plating Aluminum, Gold

Configuration

| | |
|-------------------|---------------|
| Package Type | Connectorized |
| Input Connector | 2.92mm Female |
| Output Connectors | 2.92mm Female |

Environmental Specifications

Temperature

| | |
|-----------------|-------------------|
| Operating Range | -45 to +85 deg C |
| Storage Range | -55 to +125 deg C |

| | |
|-----------|---|
| Humidity | 100% RH at 35°C, 95% RH at 40°C |
| Shock | 20G for 11msec half sine wave, 3 axis both directions |
| Vibration | 25g RMS (15 degrees 2KHz) endurance, 1 hour per axis |
| Altitude | 30,000 ft. (Epoxy Sealed Controlled environment) |

Compliance Certifications (see [product page](#) for current document)

Plotted and Other Data

Notes:

Click the following link (or enter part number in "SEARCH" on website) to obtain additional part information including price, inventory and certifications: [2 Way 2.92mm Power Divider from 18 GHz to 40 GHz Rated at 20 Watts PE20DV1064](#)

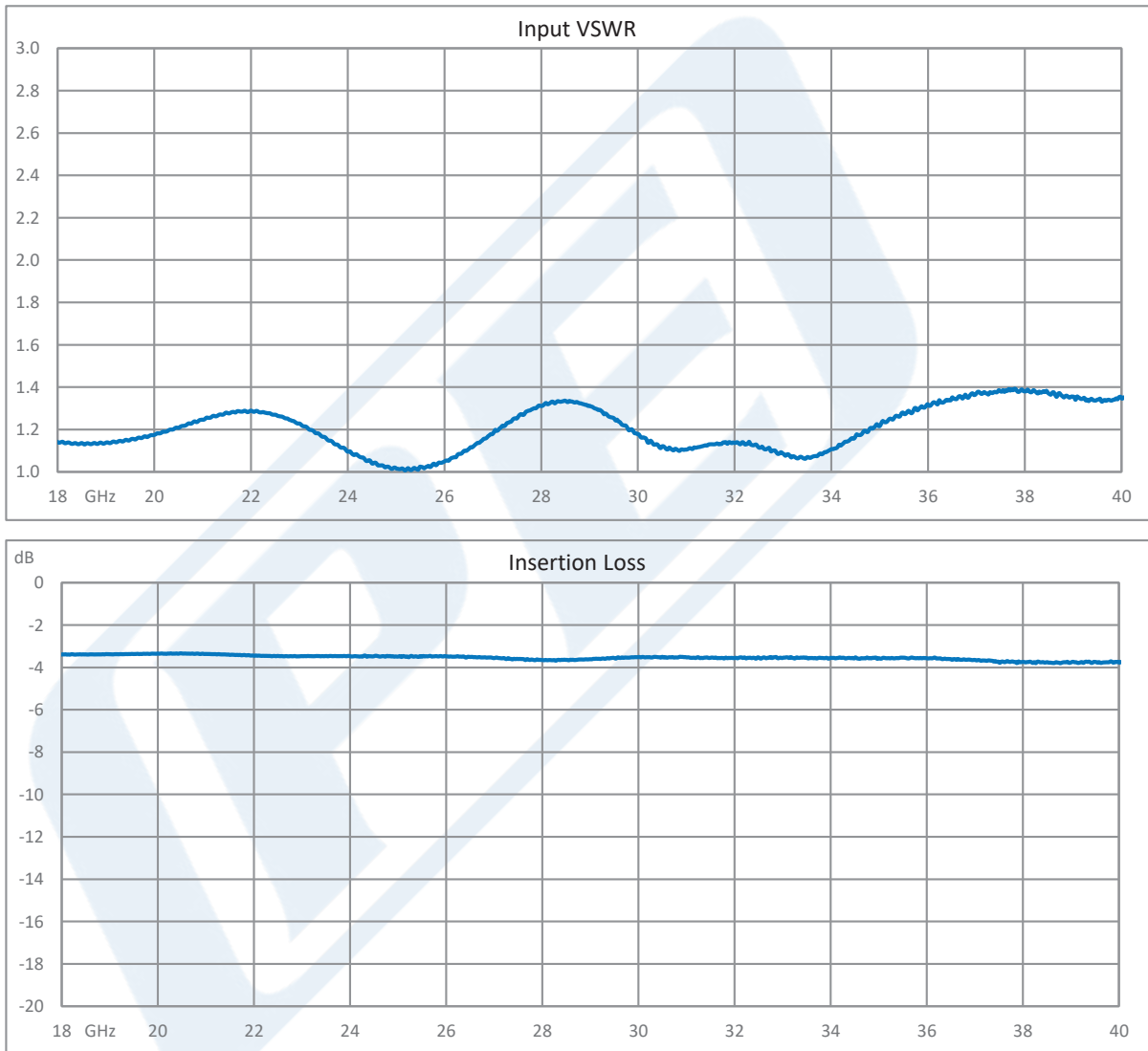


2 Way 2.92mm Power Divider from 18 GHz
to 40 GHz Rated at 20 Watts

Power Dividers Technical Data Sheet

PE20DV1064

Typical Performance Data



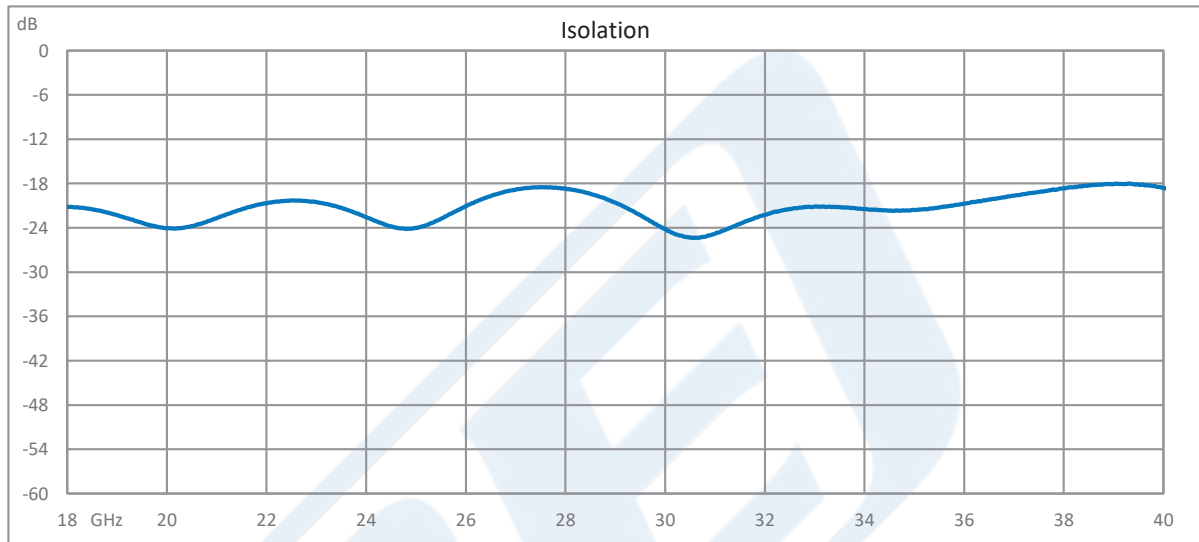
Click the following link (or enter part number in "SEARCH" on website) to obtain additional part information including price, inventory and certifications: [2 Way 2.92mm Power Divider from 18 GHz to 40 GHz Rated at 20 Watts PE20DV1064](#)



2 Way 2.92mm Power Divider from 18 GHz to 40 GHz Rated at 20 Watts

Power Dividers Technical Data Sheet

PE20DV1064



2 Way 2.92mm Power Divider from 18 GHz to 40 GHz Rated at 20 Watts from Pasternack Enterprises has same day shipment for domestic and International orders. Our RF, microwave and millimeter wave products maintain a 99.4% availability and are part of the broadest selection in the industry.

Click the following link (or enter part number in "SEARCH" on website) to obtain additional part information including price, inventory and certifications: [2 Way 2.92mm Power Divider from 18 GHz to 40 GHz Rated at 20 Watts PE20DV1064](https://www.pasternack.com/2-way-2.92mm-power-divider-40-ghz-pe20dv1064-p.aspx)

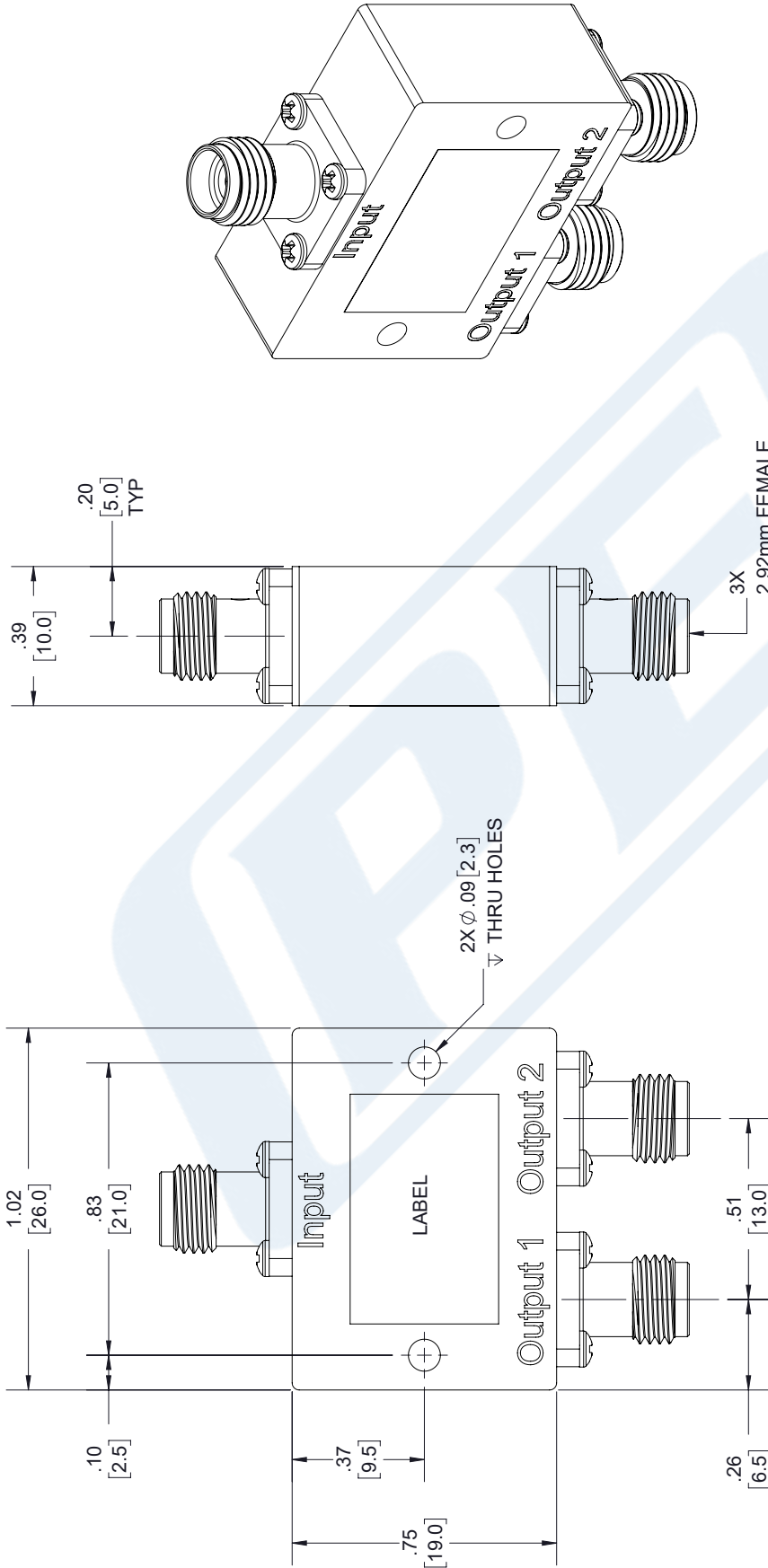
URL: <https://www.pasternack.com/2-way-2.92mm-power-divider-40-ghz-pe20dv1064-p.aspx>

The information contained in this document is accurate to the best of our knowledge and representative of the part described herein. It may be necessary to make modifications to the part and/or the documentation of the part, in order to implement improvements. Pasternack reserves the right to make such changes as required. Unless otherwise stated, all specifications are nominal. Pasternack does not make any representation or warranty regarding the suitability of the part described herein for any particular purpose, and Pasternack does not assume any liability arising out of the use of any part or documentation.

PE20DV1064 CAD Drawing

2 Way 2.92mm Power Divider from 18 GHz to 40 GHz Rated at 20 Watts

| REV. | DESCRIPTION | DATE | APPROVED |
|------|-----------------|----------|----------|
| A | INITIAL RELEASE | 01/23/19 | S.PONG |



UNLESS OTHERWISE SPECIFIED
LEADING DIMENSIONS ARE INCHES
DIMENSIONS IN [] ARE MILLIMETERS

TOLERANCES:
X±.2 [5.08] FRACTIONS
XX±.01 [25] ±.132
.XXX±.005 [13] ANGLES ± 1°

ALL DIMENSIONS SHOWN
ARE FOR REFERENCE ONLY.

THIRD-ANGLE PROJECTION

THE INFORMATION AND
DESIGN IN THIS DOCUMENT
IS THE PROPERTY OF
PASTERNAK CORPORATION.
ALL RIGHTS RESERVED.

PE PASTERNAK
an INFINITO brand

Pasternack Enterprises, Inc.
P.O. Box 16759, Irvine, CA 92623.
Phone: 1.949.261.1920 | 1.866.727.8376
Fax: 1.949.261.7451
www.pasternack.com | e-mail: sales@pasternack.com

SHEET 1 OF 1
SCALE N/A

SIZE A CAGE 53919 DRAWN BY KDANG PART NUMBER PE20DV1064 REV A

PASTERNAK
PE20DV1064
D/C: XXXX

THESE COMMODITIES, TECHNOLOGY OR SOFTWARE WERE EXPORTED FROM THE UNITED STATES IN ACCORDANCE WITH THE EXPORT ADMINISTRATION REGULATIONS. DIVERSION CONTRARY TO U.S. LAW PROHIBITED.