



Surface Mount (SMT) Voltage Controlled Oscillator (VCO) From 5.4 GHz to 5.9 GHz, Phase Noise of -84 dBc/Hz and 0.175 inch Package

Voltage Control Oscillators Technical Data Sheet

PE2V014

Features

- 5.4 GHz to 5.9 GHz Bandwidth
- -85 dBc/Hz @ 10kHz offset
- Tuning Voltage 0V to 4.5V
- Pout = +7.0 dBm
- Harmonics = -17 dBc
- RoHS Compliant Assembly
- 0.5" SMT package
- Industry Standard Mounting Footprint
- Designed to meet MIL-STD-202 Environmental Conditions

Applications

- Phase Locked Loop
- Function Generators
- Frequency Synthesizers
- Receivers
- Electronic Jamming Equipment
- Local Oscillator
- Wireless Communications
- SATCOM
- Optical Communications
- Military Electronic Systems

Description

The PE2V014 is a High Reliability Low Noise Voltage Controlled Oscillator (VCO) which covers a 5.4 GHz to 5.9 GHz frequency band with a voltage tuning range from 0V to 10.0V. This design features exceptional phase noise performance of -84 dBc/Hz @ 10 kHz offset. Supply Voltage is +11V with a generated output power level of +7.0 dBm and 2nd harmonic output of -17 dBc typical. The assembly is RoHS compliant and available in a compact 0.5 inch SMT package with an industry standard mounting footprint. The bottom surface is copper clad with 2-5 micro inches of immersion Gold over 150 - 250 micro inches of Electro less Nickel which makes it resistant to oxidation for ease of soldering. The VCO operates over a temperature range of -40°C to +85°C and is designed to meet a variety of MIL-STD-202 test conditions including Humidity, Shock, and Vibration.

Electrical Specifications

Description	Minimum	Typical	Maximum	Units
Frequency Range	5.4		5.9	GHz
Tuning Voltage	0		10	Vdc
Supply Voltage (DC)	10	11	12	Vdc
Supply Current (DC)		22	25	mA
Phase Noise @ 10kHz Offset		-84	-81	dBc/Hz
Phase Noise @ 100kHz Offset		-105	-103	dBc/Hz
Output Power	+7	+8.5	+9.5	dBm
Tuning Sensitivity (Kvco)	120		200	MHz/V
Pushing		5	8	MHz/V
Pulling (pk-pk)		25	35	MHz
Load Impedance		50		Ohms
2nd Harmonics		-25	-22	dBc

Click the following link (or enter part number in "SEARCH" on website) to obtain additional part information including price, inventory and certifications: [Surface Mount \(SMT\) Voltage Controlled Oscillator \(VCO\) From 5.4 GHz to 5.9 GHz, Phase Noise of -84 dBc/Hz and 0.175 inch Package PE2V014](#)



Surface Mount (SMT) Voltage Controlled Oscillator (VCO) From 5.4 GHz to 5.9 GHz, Phase Noise of -84 dBc/Hz and 0.175 inch Package

Voltage Control Oscillators Technical Data Sheet

PE2V014

Mechanical Specifications

Size

Length	0.175 in [4.45 mm]
Width	0.175 in [4.45 mm]
Height	0.075 in [1.91 mm]
Weight	0.009 lbs [4.08 g]
Body Material and Plating Design	Copper Clad Nickel, Gold Commercial

Environmental Specifications

Temperature

Operating Range	-40 to +85 deg C
Storage Range	-55 to +125 deg C

Humidity

MIL-STD-202, Method 103, 90% RH, +65 C

Shock

MIL-STD-202, Method 213I

Vibration

MIL-STD-202, Method 204D

Temperature Cycle

MIL-STD-202, Method 107B

ESD Sensitivity

ESD Sensitive Material, Transport material in Approved ESD bags. Handle only in ESD Workstation.



Click the following link (or enter part number in "SEARCH" on website) to obtain additional part information including price, inventory and certifications: [Surface Mount \(SMT\) Voltage Controlled Oscillator \(VCO\) From 5.4 GHz to 5.9 GHz, Phase Noise of -84 dBc/Hz and 0.175 inch Package PE2V014](#)



Surface Mount (SMT) Voltage Controlled Oscillator (VCO) From 5.4 GHz to 5.9 GHz, Phase Noise of -84 dBc/Hz and 0.175 inch Package

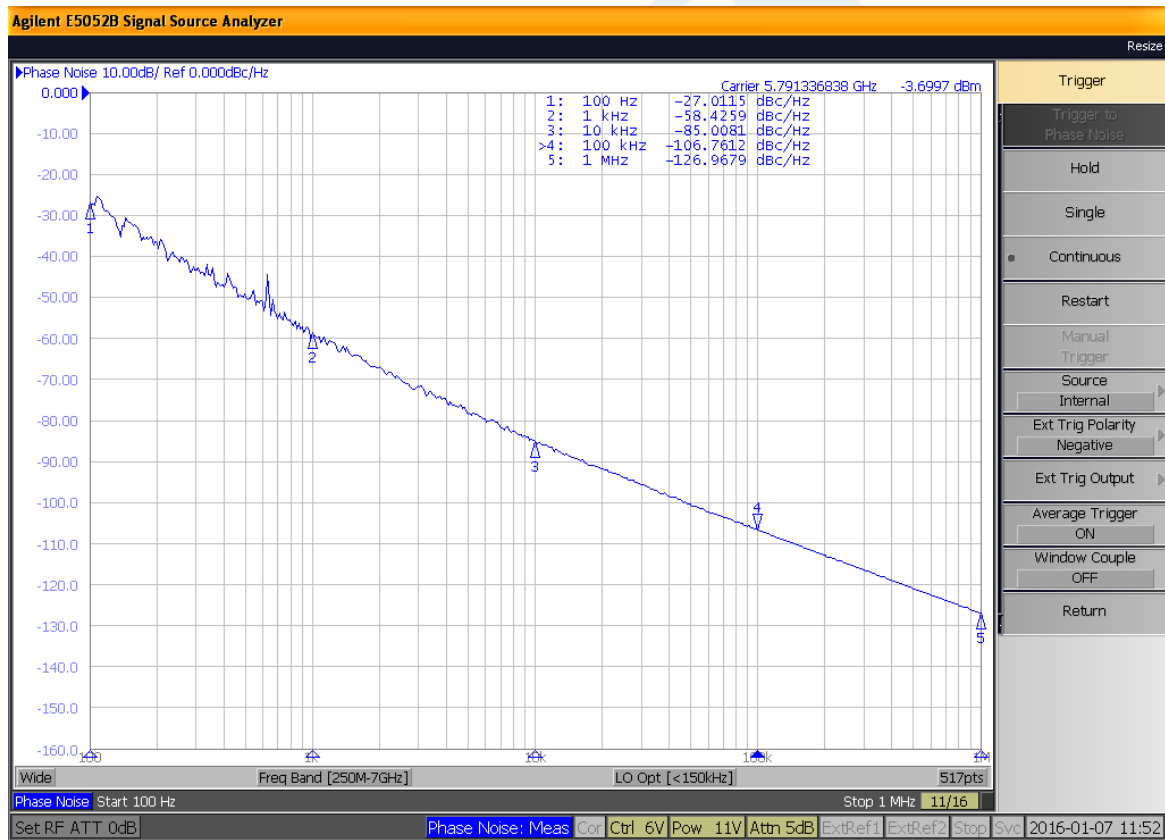
Voltage Control Oscillators Technical Data Sheet

PE2V014

Compliance Certifications (see [product page](#) for current document)

Plotted and Other Data

Typical Performance Data



Click the following link (or enter part number in "SEARCH" on website) to obtain additional part information including price, inventory and certifications: [Surface Mount \(SMT\) Voltage Controlled Oscillator \(VCO\) From 5.4 GHz to 5.9 GHz, Phase Noise of -84 dBc/Hz and 0.175 inch Package PE2V014](#)



Surface Mount (SMT) Voltage Controlled Oscillator (VCO) From 5.4 GHz to 5.9 GHz, Phase Noise of -84 dBc/Hz and 0.175 inch Package

Voltage Control Oscillators Technical Data Sheet

PE2V014



Tuning, Pout, and Current

Click the following link (or enter part number in "SEARCH" on website) to obtain additional part information including price, inventory and certifications: [Surface Mount \(SMT\) Voltage Controlled Oscillator \(VCO\) From 5.4 GHz to 5.9 GHz, Phase Noise of -84 dBc/Hz and 0.175 inch Package PE2V014](#)



Surface Mount (SMT) Voltage Controlled Oscillator
(VCO) From 5.4 GHz to 5.9 GHz, Phase Noise
of -84 dBc/Hz and 0.175 inch Package

Voltage Control Oscillators Technical Data Sheet

PE2V014

Surface Mount (SMT) Voltage Controlled Oscillator (VCO) From 5.4 GHz to 5.9 GHz, Phase Noise of -84 dBc/Hz and 0.175 inch Package from Pasternack Enterprises has same day shipment for domestic and International orders. Our RF, microwave and millimeter wave products maintain a 99.4% availability and are part of the broadest selection in the industry.

Click the following link (or enter part number in "SEARCH" on website) to obtain additional part information including price, inventory and certifications: [Surface Mount \(SMT\) Voltage Controlled Oscillator \(VCO\) From 5.4 GHz to 5.9 GHz, Phase Noise of -84 dBc/Hz and 0.175 inch Package PE2V014](https://www.pasternack.com/surface-mount-smt-voltage-controlled-oscillator-vco-5.4-ghz-to-5.9-ghz-phase-noise-of-84-dbc-hz-and-0.175-inch-package-pe2v014)

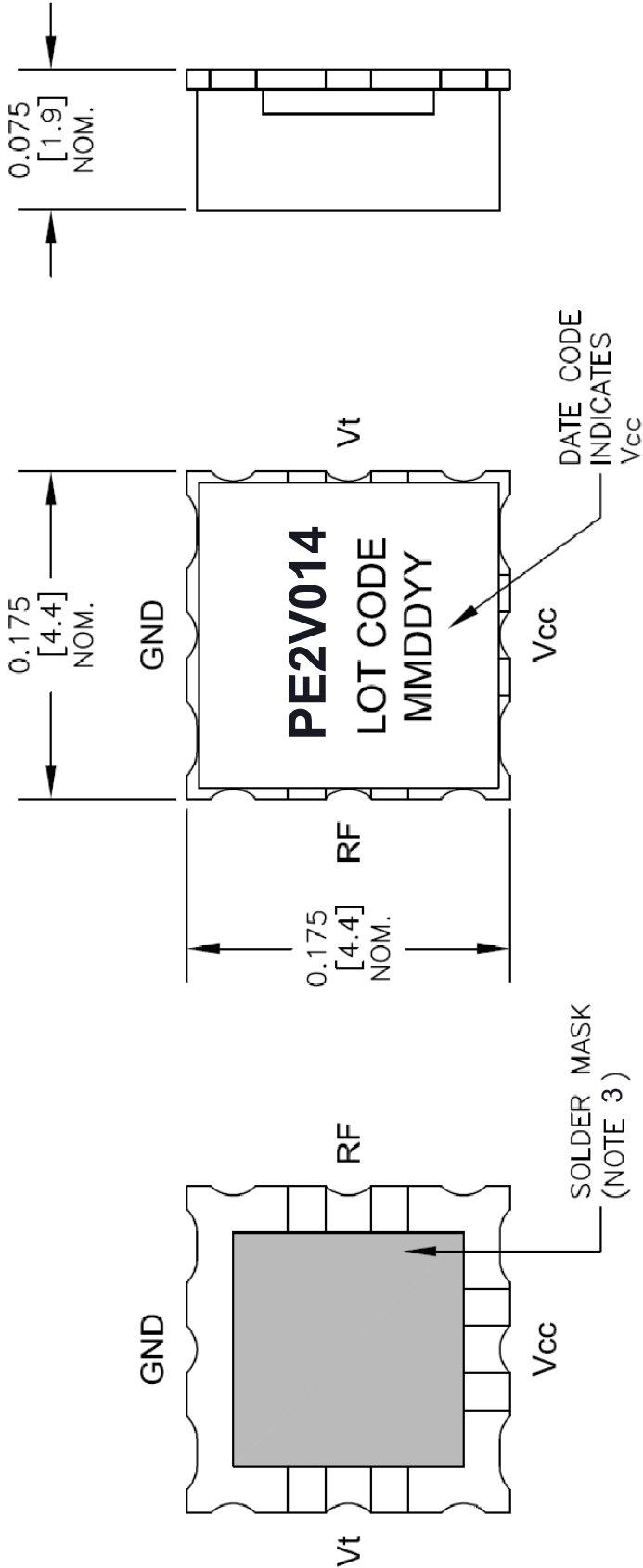
URL: <https://www.pasternack.com/surface-mount-smt-voltage-controlled-oscillator-vco-5.9-ghz-pe2v014-p.aspx>

The information contained in this document is accurate to the best of our knowledge and representative of the part described herein. It may be necessary to make modifications to the part and/or the documentation of the part, in order to implement improvements. Pasternack reserves the right to make such changes as required. Unless otherwise stated, all specifications are nominal. Pasternack does not make any representation or warranty regarding the suitability of the part described herein for any particular purpose, and Pasternack does not assume any liability arising out of the use of any part or documentation.

PE2V014 CAD Drawing

Surface Mount (SMT) Voltage Controlled Oscillator (VCO) From 5.4 GHz to 5.9 GHz, Phase Noise of -84 dBc/Hz and 0.175 inch Package

REVISIONS			
REV.	DESCRIPTION	DATE	APPROVED
A	INITIAL RELEASE	6/15/2021	T. GALLA



SIDE VIEW

TOP VIEW

BOTTOM VIEW

NOTES:

1. THE CASE IS GROUND.
2. UNLESS OTHERWISE SPECIFIED FINISH IS 150-250 MICRO INCHES ELECTROLESS NICKEL OVER COPPER CLAD PCB, 2-5 MICRO INCHES IMMERSION GOLD, OVER NICKEL.
3. SOLDER MASK NOT USED FOR APPLICATIONS GREATER THAN 6 GHZ.

THESE COMMODITIES, TECHNOLOGY OR SOFTWARE WERE EXPORTED FROM THE UNITED STATES IN ACCORDANCE WITH THE EXPORT ADMINISTRATION REGULATIONS. DIVERSION CONTRARY TO U.S. LAW PROHIBITED.

UNLESS OTHERWISE SPECIFIED LEADING DIMENSIONS ARE INCHES DIMENSIONS IN [] ARE MILLIMETERS

TOLERANCES:

.X = ±.2 [5.08] FRACTIONS ± 1/32
 .XX = ±.02 [.51] ± 1/32
 .XXX = ±.005 [.13] ANGLES ± 1°

CABLE LENGTH (L) TOLERANCES:
 L ≤ 12 [305] = +1 [25] / -0
 12 [305] < L ≤ 60 [1524] = +2 [51] / -0
 60 [1524] < L ≤ 120 [3048] = +4 [102] / -0
 120 [3048] < L ≤ 300 [7620] = +6 [152] / -0
 300 [7620] < L = +5% L / -0

ALL DIMENSIONS SHOWN ARE FOR REFERENCE ONLY.

PE PASTERNAK
 an INFINITO brand

Pasternack Enterprises, Inc.
 P. O. Box 16759, Irvine, CA 92623.
 Phone: 1.949.261.1920 | 1.866.727.8376
 Fax: 1.949.261.7451
 Website: www.pasternack.com
 E-mail: sales@pasternack.com

THIRD-ANGLE PROJECTION

THE INFORMATION AND DESIGN IN THIS DOCUMENT IS THE PROPERTY OF PASTERNAK CORPORATION. ALL RIGHTS RESERVED.

SHEET 1 OF 3
 SCALE N/A

REV	REV
A	A

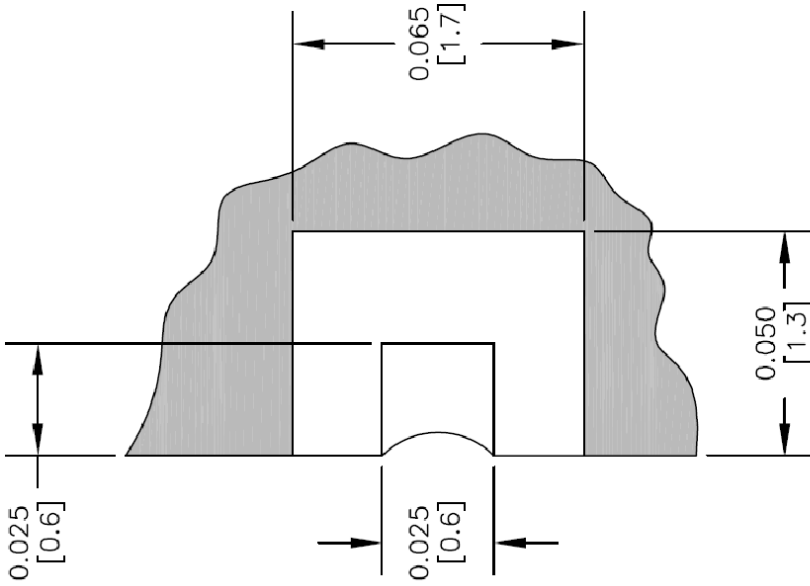
ITEM NO. PE2V014

PE2V014 CAD Drawing

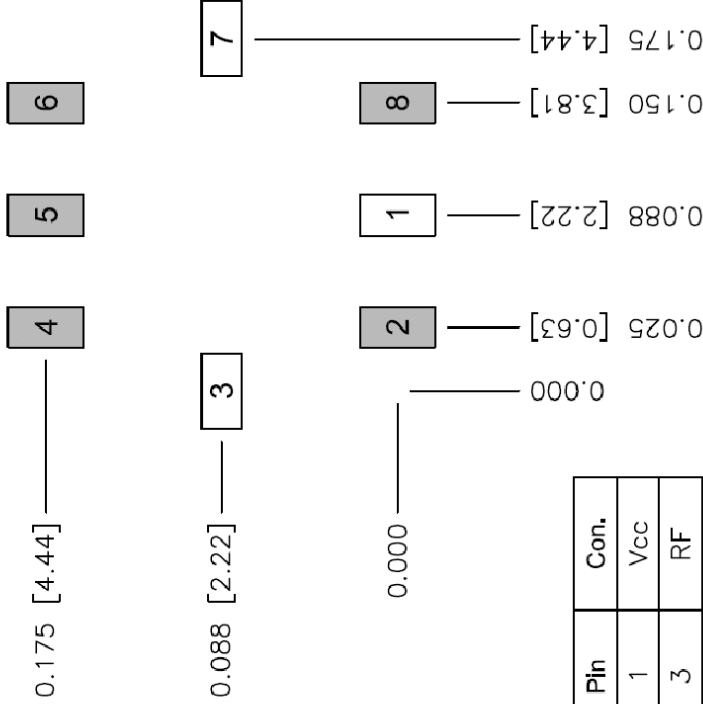
Surface Mount (SMT) Voltage Controlled Oscillator (VCO) From 5.4 GHz to 5.9 GHz, Phase Noise of -84 dBc/Hz and 0.175 inch Package

REVISIONS

REV.	DESCRIPTION	DATE	APPROVED
A	INITIAL RELEASE	6/15/2021	T. GALLA



PAD DETAIL



PCB PAD LAYOUT

Pin	Con.
1	VCC
3	RF
7	Vt
Others	GND

UNLESS OTHERWISE SPECIFIED
LEADING DIMENSIONS ARE INCHES
DIMENSIONS IN [] ARE MILLIMETERS

TOLERANCES:
 .X = ±.2 [5.08] FRACTIONS ± 1/32
 .XX = ±.02 [.51] ANGLES ± 1°
 .XXX = ±.005 [.13]
CABLE LENGTH (L) TOLERANCES:
 L ≤ 12 [305] = +1 [25] / -0
 12 [305] < L ≤ 60 [1524] = +2 [51] / -0
 60 [1524] < L ≤ 120 [3048] = +4 [102] / -0
 120 [3048] < L ≤ 300 [7620] = +6 [152] / -0
 300 [7620] < L = +5% / -0

ALL DIMENSIONS SHOWN
ARE FOR REFERENCE ONLY.

THIRD-ANGLE PROJECTION



THE INFORMATION AND
DESIGN IN THIS DOCUMENT
IS THE PROPERTY OF
PASTERNAK CORPORATION
ALL RIGHTS RESERVED.

SHEET 2 OF 3

SCALE N/A



Pasternack Enterprises, Inc.
P. O. Box 16759, Irvine, CA 92623.
Phone: 1.949.261.1920 | 1.866.727.8376
Fax: 1.949.261.7451
Website: www.pasternack.com
E-mail: sales@pasternack.com

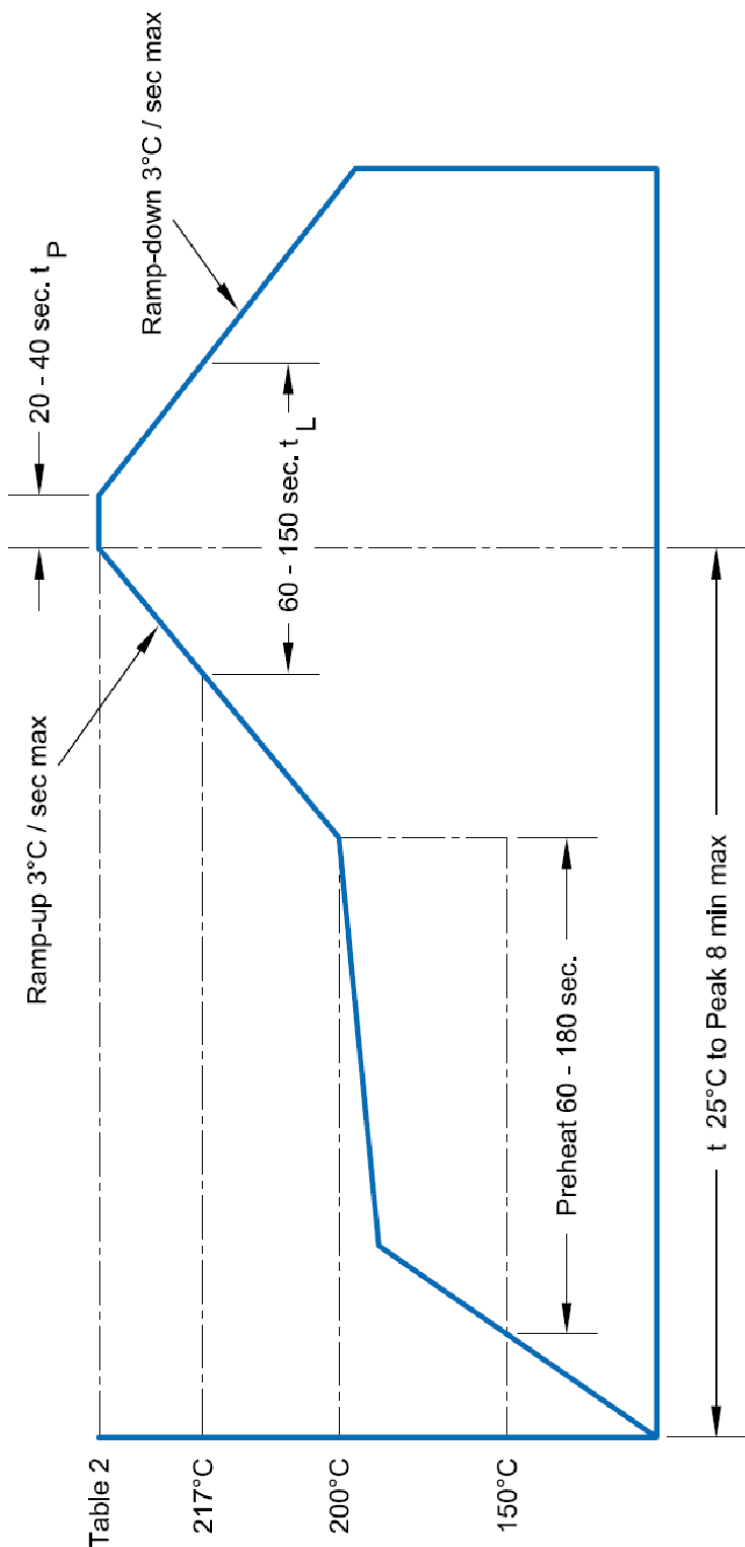
SIZE	CAGE CODE	DRAWN BY	ITEM NO.	REV
A	53919	K.DANG	PE2V014	A

THESE COMMODITIES, TECHNOLOGY OR SOFTWARE WERE EXPORTED FROM THE UNITED STATES IN ACCORDANCE WITH THE EXPORT ADMINISTRATION REGULATIONS. DIVERSION CONTRARY TO U.S. LAW PROHIBITED.

PE2V014 CAD Drawing

Surface Mount (SMT) Voltage Controlled Oscillator (VCO) From 5.4 GHz to 5.9 GHz, Phase Noise of -84 dBc/Hz and 0.175 inch Package

REVISIONS		
REV.	DESCRIPTION	DATE
A	INITIAL RELEASE	6/15/2021



Item	Condition
Tip Temp. (max.)	260°
Iron Power (max.)	20 W
Time (max.)	3 Sec.
Note.	Avoid excess pressure to castelations

Pkg.	tp (°C)
PE2V Series	260
PE1V11 Series	245
All Others	245

UNLESS OTHERWISE SPECIFIED LEADING DIMENSIONS ARE INCHES DIMENSIONS IN [] ARE MILLIMETERS

TOLERANCES:
 .X = ±.2 [.08] FRACTIONS ± 1/32
 .XX = ±.02 [.51] ANGLES ± 1°
 .XXX = ±.005 [.13]
 CABLE LENGTH (L) TOLERANCES:
 L ≤ 12 [305] = +1 [25] / -0
 12 [305] < L ≤ 60 [1524] = +2 [51] / -0
 60 [1524] < L ≤ 120 [3048] = +4 [102] / -0
 120 [3048] < L ≤ 300 [7620] = +6 [152] / -0
 300 [7620] < L = +5% / L / -0

ALL DIMENSIONS SHOWN ARE FOR REFERENCE ONLY.

PE PASTERNAK
an INFINIT brand

Pasternack Enterprises, Inc.
 P. O. Box 16759, Irvine, CA 92623.
 Phone: 1.949.261.1920 | 1.866.727.8376
 Fax: 1.949.261.7451
 Website: www.pasternack.com
 E-mail: sales@pasternack.com

THIRD-ANGLE PROJECTION

THE INFORMATION AND DESIGN IN THIS DOCUMENT IS THE PROPERTY OF PASTERNAK CORPORATION. ALL RIGHTS RESERVED.

SHEET 3 OF 3
SCALE N/A

SIZE CAGE CODE DRAWN BY ITEM NO. REV
 A 53919 K.DANG PE2V014 A

- NOTES:
- ALL VCO'S HAVE A MS RATING OF 1.
 - ALL PRODUCTS CONFORM TO JEDEC J-STD-020C FOR LEAD FREE PROCESSING.