

## 2.92mm Male to 2.92mm Female Test Cable 24 Inch Length Using VNA Test Cable Coax, LF Solder



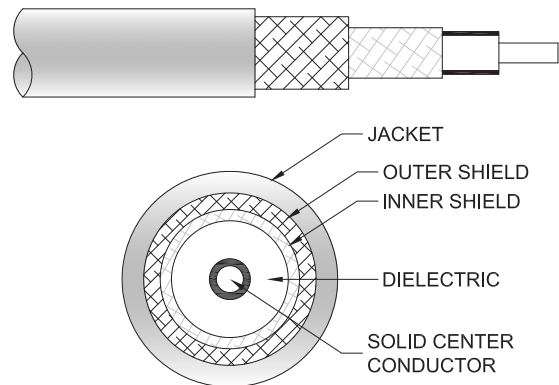
### PE321-24

#### Configuration

- Connector 1: 2.92mm Male
- Connector 2: 2.92mm Female
- Cable Type: VNA Cable
- Coax Flex Type: Flexible

#### Features

- Max Frequency 40 GHz
- Shielding Effectivity > 100 dB
- 77% Phase Velocity
- Double Shielded
- FEP Jacket



#### Applications

- General Purpose
- Test & Measurement
- Laboratory Use

#### Description

Pasternack's PE321-24 2.92mm male to 2.92mm female 24 inch cable using VNA test cable coax is part of our full line of RF components available for same-day shipping. Pasternack's flexible RF cable assemblies are ideal for applications where tight bends and flexure are required. This Pasternack 2.92mm to 2.92mm cable assembly has a male to female gender configuration with 50 ohm flexible VNA cable coax. The PE321-24 2.92mm male to 2.92mm female cable assembly operates to 40 GHz. The double shielding of this Pasternack cable assembly provides excellent shielding effectiveness of better than 100 dB.

Custom versions of most RF cable assemblies can be built and shipped same day. Custom cable assembly lengths can be obtained by specifying the desired length on the web site at time of order or by contacting a sales representative. Other available RF cable assembly value added services include connector orientation or clocking, heat shrink booting and custom labeling. RF testing can also be performed to document the electrical performance of your cable assembly.

#### Electrical Specifications

Description	Minimum	Typical	Maximum	Units
Frequency Range	DC		40	GHz
Return Loss			-16	dB
Insertion Loss			1.74	dB
Velocity of Propagation		77		%
RF Shielding	100			dB
Dielectric Withstanding Voltage (AC)			1,000	Vrms

#### Specifications by Frequency

Description	F1	F2	F3	F4	F5	Units
Frequency	10	18	26.5	40		GHz

2.92mm Male to 2.92mm Female Test Cable 24 Inch Length Using VNA Test Cable Coax, LF Solder



**PE321-24**

**Specifications by Frequency**

Description	F1	F2	F3	F4	F5	Units
Insertion Loss (Max.)	0.4	0.56	0.68	0.87		dB
Return Loss (Max.)	-25	-22	-20	-16		dB
Power Handling (Max.)	150					Watts

**Mechanical Specifications**

**Cable Assembly**

Width/Diameter	0.362 in [9.19 mm]
Weight	0.361 lbs [163.75 g]

**Cable**

Cable Type	VNA Cable
Impedance	50 Ohms
Inner Conductor Type	Solid
Inner Conductor Material and Plating	Copper, Silver
Dielectric Type	PTFE
Number of Shields	2
Shield Layer 1	Silver Plated Copper Tape
Shield Layer 2	Silver Plated Copper Braid
Jacket Material	FEP
One Time Minimum Bend Radius	1 in [25.4 mm]
Repeated Minimum Bend Radius	1.38 in [35.05 mm]
Typical Flex Cycles	10,000

**Connectors**

Description	Connector 1	Connector 2
Type	2.92mm Male	2.92mm Female
Specification	MIL-STD-348	MIL-STD-348
Impedance	50 Ohms	50 Ohms
Configuration	Straight	Straight
Contact Material and Plating	Gold	Gold
Dielectric Type	PPO	PPO
Outer Conductor Material and Plating		Passivated Stainless Steel
Body Material and Plating	Passivated Stainless Steel	
Coupling Nut Material and Plating	Passivated Stainless Steel	
Hex Size	5/16 inch	
Torque	8 in-lbs 0.9 Nm	

**Environmental Specifications**

Operating Range Temperature	-55 to +165 deg C
-----------------------------	-------------------

## 2.92mm Male to 2.92mm Female Test Cable 24 Inch Length Using VNA Test Cable Coax, LF Solder



### PE321-24

**Compliance Certifications** (see [product page](#) for current document)

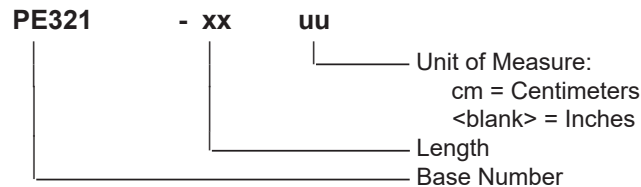
#### Plotted and Other Data

Notes:  
Values at 25°C, sea level.

#### Typical Performance Data

#### How to Order

Part Number Configuration:



Example: PE321-12 = 12 inches long cable  
PE321-100cm = 100 cm long cable

2.92mm Male to 2.92mm Female Test Cable 24 Inch Length Using VNA Test Cable Coax, LF Solder from Pasternack Enterprises has same day shipment for domestic and International orders. Our RF, microwave and millimeter wave products maintain a 99.4% availability and are part of the broadest selection in the industry.

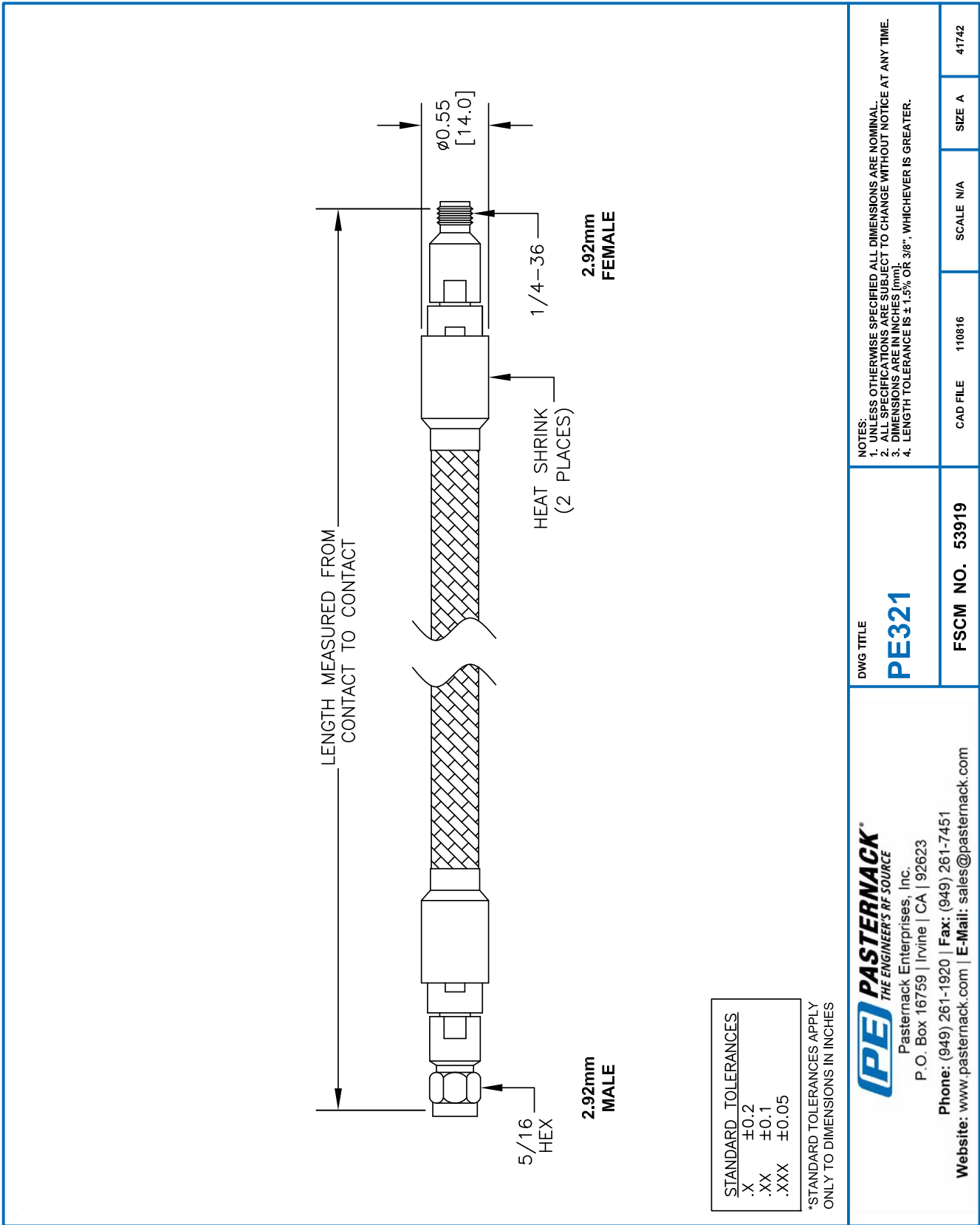
Click the following link (or enter part number in "SEARCH" on website) to obtain additional part information including price, inventory and certifications: [2.92mm Male to 2.92mm Female Test Cable 24 Inch Length Using VNA Test Cable Coax, LF Solder PE321-24](#)

URL: <https://www.pasternack.com/2.92mm-male-2.92mm-female-vna-cable-cable-assembly-pe321-24-p.aspx>

The information contained within this document is accurate to the best of our knowledge and representative of the part described herein. It may be necessary to make modifications to the part and/or the documentation of the part in order to implement improvements. Pasternack Enterprises reserves the right to make such changes as required. Unless otherwise stated, all specifications are nominal. Pasternack Enterprises does not make any representation or warranty regarding the suitability of the part described herein for any particular purpose, and Pasternack Enterprises does not assume liability arising out of the use of any part or document.

# PE321-24 CAD Drawing

2.92mm Male to 2.92mm Female Test Cable 24 Inch Length Using VNA Test Cable Coax, LF Solder



NOTES:  
 1. UNLESS OTHERWISE SPECIFIED ALL DIMENSIONS ARE NOMINAL.  
 2. ALL SPECIFICATIONS ARE SUBJECT TO CHANGE WITHOUT NOTICE AT ANY TIME.  
 3. DIMENSIONS ARE IN INCHES [mm].  
 4. LENGTH TOLERANCE IS ± 1.5% OR 3/8", WHICHEVER IS GREATER.