



SMA Female to N Male Low Loss Cable Using PE-P195 Coax with HeatShrink

RF Cable Assemblies Technical Data Sheet

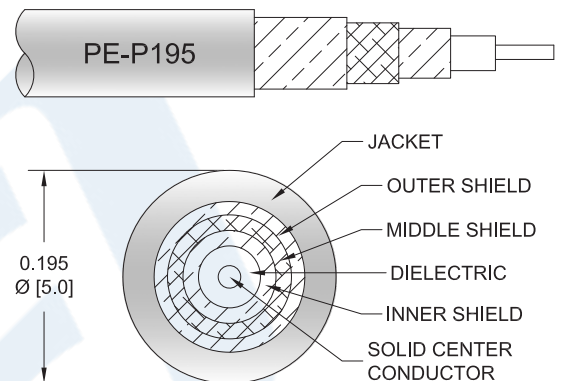
PE33234/HS

Configuration

- Connector 1: SMA Female
- Connector 2: N Male
- Cable Type: PE-P195

Features

- Max Frequency 12.4 GHz
- 70% Phase Velocity
- Triple Shielded
- FEP Jacket



Applications

- General Purpose
- Laboratory Use

Description

Pasternack's PE33234/HS SMA female to type N male cable using PE-P195 coax is part of our full line of RF components available for same-day shipping. Pasternack's flexible RF cable assemblies are ideal for applications where tight bends and flexure are required. This Pasternack SMA to type N cable assembly has a female to male gender configuration with 50 ohm flexible PE-P195 coax. The PE33234/HS SMA female to type N male cable assembly operates to 12.4 GHz. The triple shielding of this Pasternack cable assembly provides excellent shielding effectiveness.

Custom versions of most RF cable assemblies can be built and shipped same day. Custom cable assembly lengths can be obtained by specifying the desired length on the web site at time of order or by contacting a sales representative. Other available RF cable assembly value added services include connector orientation or clocking, heat shrink booting and custom labeling. RF testing can also be performed to document the electrical performance of your cable assembly.

Click the following link (or enter part number in "SEARCH" on website) to obtain additional part information including price, inventory and certifications: [SMA Female to N Male Low Loss Cable Using PE-P195 Coax with HeatShrink PE33234/HS](#)



SMA Female to N Male Low Loss Cable Using PE-P195 Coax with HeatShrink

RF Cable Assemblies Technical Data Sheet

PE33234/HS

Electrical Specifications

Description	Minimum	Typical	Maximum	Units
Frequency Range	DC		12.4	GHz
Velocity of Propagation		70		%
Capacitance		29 [95.14]		pF/ft [pF/m]

Specifications by Frequency

Description	F1	F2	F3	F4	F5	Units
Frequency	0.5	1	2.5	5	12.4	GHz
Insertion Loss (Typ.)	0.088	0.125	0.196	0.315	0.512	dB/ft
	0.29	0.41	0.64	1.03	1.68	dB/m

Electrical Specification Notes:

Insertion Loss does not include the loss of the connectors. Insertion Loss is estimated as 0.1 dB per connector.

Mechanical Specifications

Cable Assembly

Weight 0.114 lbs [51.71 g]

Cable

Cable Type PE-P195
 Impedance 50 Ohms
 Inner Conductor Type Solid
 Inner Conductor Material and Plating Copper Clad Steel, Silver
 Dielectric Type PTFE
 Number of Shields 3
 Shield Layer 1 Silver Plated Copper Braid
 Shield Layer 2 Aluminum Tape
 Shield Layer 3 Silver Plated Copper Braid
 Jacket Material FEP, Tan
 Jacket Diameter 0.195 in [4.95 mm]
 Repeated Minimum Bend Radius 1 in [25.4 mm]

Click the following link (or enter part number in "SEARCH" on website) to obtain additional part information including price, inventory and certifications: [SMA Female to N Male Low Loss Cable Using PE-P195 Coax with HeatShrink PE33234/HS](#)



SMA Female to N Male Low Loss Cable Using
PE-P195 Coax with HeatShrink

RF Cable Assemblies Technical Data Sheet

PE33234/HS

Connectors

Description	Connector 1	Connector 2
Type	SMA Female	N Male
Specification		MIL-STD-348
Impedance	50 Ohms	50 Ohms
Contact Material and Plating	Beryllium Copper, Gold	Brass, Silver
Contact Plating Specification	50µ in. minimum	
Dielectric Type	PTFE	PTFE
Body Material and Plating	Brass, Nickel	Brass, Nickel
Body Plating Specification	100µ in. minimum	
Coupling Nut Material and Plating		Brass, Nickel

Environmental Specifications

Temperature

Operating Range -55 to +165 deg C

Compliance Certifications (see [product page](#) for current document)

Plotted and Other Data

Notes:

Click the following link (or enter part number in "SEARCH" on website) to obtain additional part information including price, inventory and certifications: [SMA Female to N Male Low Loss Cable Using PE-P195 Coax with HeatShrink PE33234/HS](#)



SMA Female to N Male Low Loss Cable Using PE-P195 Coax with HeatShrink

RF Cable Assemblies Technical Data Sheet

PE33234/HS

How to Order

Part Number Configuration:

PE33234/HS - xx uu

Unit of Measure:
cm = Centimeters
<blank> = Inches
Length
Base Number

Example: PE33234/HS-12 = 12 inches long cable
PE33234/HS-100cm = 100 cm long cable

SMA Female to N Male Low Loss Cable Using PE-P195 Coax with HeatShrink from Pasternack Enterprises has same day shipment for domestic and International orders. Our RF, microwave and millimeter wave products maintain a 99.4% availability and are part of the broadest selection in the industry.

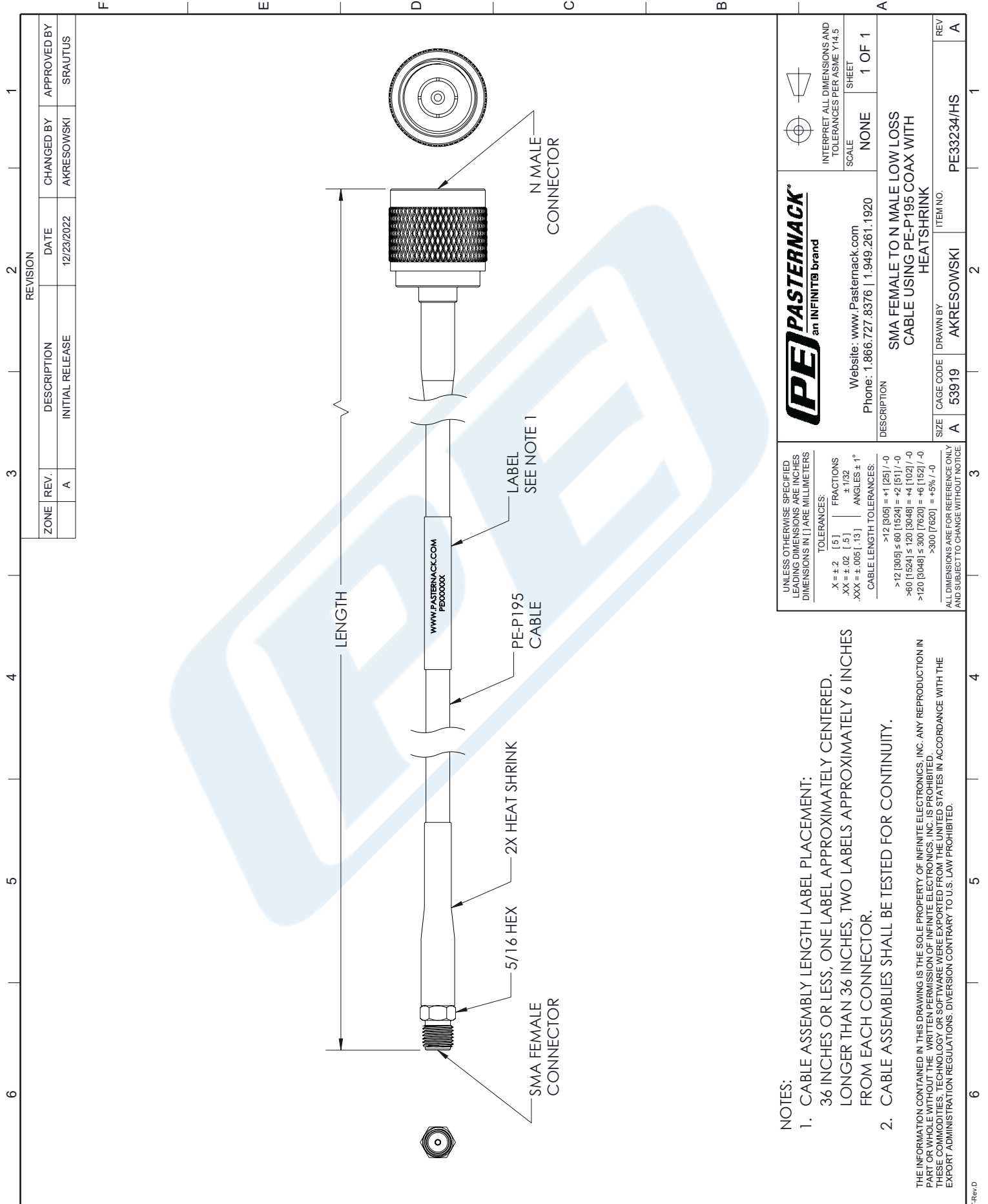
Click the following link (or enter part number in "SEARCH" on website) to obtain additional part information including price, inventory and certifications: [SMA Female to N Male Low Loss Cable Using PE-P195 Coax with HeatShrink PE33234/HS](#)

URL: <https://www.pasternack.com/sma-female-to-n-male-low-loss-cable-using-pe-p195-with-heatshrink-pe33234-hs-p.aspx>

The information contained in this document is accurate to the best of our knowledge and representative of the part described herein. It may be necessary to make modifications to the part and/or the documentation of the part, in order to implement improvements. Pasternack reserves the right to make such changes as required. Unless otherwise stated, all specifications are nominal. Pasternack does not make any representation or warranty regarding the suitability of the part described herein for any particular purpose, and Pasternack does not assume any liability arising out of the use of any part or documentation.

PE33234/HS CAD Drawing

SMA Female to N Male Low Loss Cable Using PE-P195 Coax with HeatShrink



- NOTES:**
- CABLE ASSEMBLY LENGTH LABEL PLACEMENT:
36 INCHES OR LESS, ONE LABEL APPROXIMATELY CENTERED.
LONGER THAN 36 INCHES, TWO LABELS APPROXIMATELY 6 INCHES FROM EACH CONNECTOR.
 - CABLE ASSEMBLIES SHALL BE TESTED FOR CONTINUITY.

UNLESS OTHERWISE SPECIFIED LEADING DIMENSIONS ARE INCHES DIMENSIONS IN [] ARE MILLIMETERS

TOLERANCES:

X = ± 2	[5]	FRACTIONS
.XX = ± .02	[.5]	± 1/32
.XXX = ± .005	[.13]	ANGLES ± 1°

CABLE LENGTH TOLERANCES:

>12 [305]	= +1 [25] / -0
>60 [1524]	= +2 [51] / -0
>120 [3048]	= +4 [102] / -0
>300 [7620]	= +6 [152] / -0
>500 [12700]	= +8 [203] / -0

ALL DIMENSIONS ARE FOR REFERENCE ONLY AND SUBJECT TO CHANGE WITHOUT NOTICE

PE PASTERNAK an INFINITIB brand		INTERPRET ALL DIMENSIONS AND TOLERANCES PER ASME Y14.5
Website: www.Pasternack.com Phone: 1.866.727.8376 1.949.261.1920		SCALE: NONE SHEET: 1 OF 1
DESCRIPTION: SMA FEMALE TO N MALE LOW LOSS CABLE USING PE-P195 COAX WITH HEATSHRINK		
SIZE: A	CAGE CODE: 53919	ITEM NO.: PE33234/HS
DRAWN BY: AKRESOWSKI		REV: A