

N Male to N Male Low Loss Cable Using PE-P195 Coax with HeatShrink, LF Solder



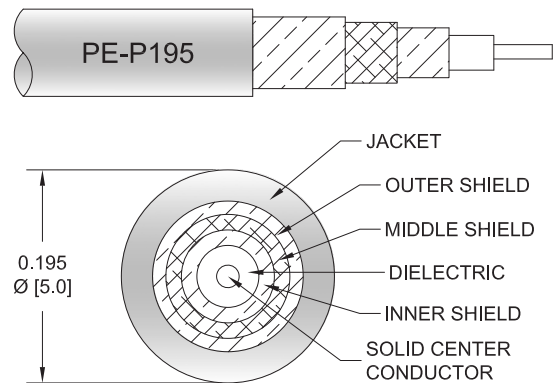
PE33793LF/HS

Configuration

- Connector 1: N Male
- Connector 2: N Male
- Cable Type: PE-P195
- Coax Flex Type: Flexible

Features

- Max Frequency 12.4 GHz
- 70% Phase Velocity
- Triple Shielded
- FEP Jacket



Applications

- General Purpose
- Laboratory Use

Description

Pasternack's PE33793LF/HS type N male to type N male cable using PE-P195 coax is part of our full line of RF components available for same-day shipping. Pasternack's flexible RF cable assemblies are ideal for applications where tight bends and flexure are required. This Pasternack type N to type N cable assembly has a male to male gender configuration with 50 ohm flexible PE-P195 coax. The PE33793LF/HS type N male to type N male cable assembly operates to 12.4 GHz. The triple shielding of this Pasternack cable assembly provides excellent shielding effectiveness.

Custom versions of most RF cable assemblies can be built and shipped same day. Custom cable assembly lengths can be obtained by specifying the desired length on the web site at time of order or by contacting a sales representative. Other available RF cable assembly value added services include connector orientation or clocking, heat shrink booting and custom labeling. RF testing can also be performed to document the electrical performance of your cable assembly.

Electrical Specifications

Description	Minimum	Typical	Maximum	Units
Frequency Range	DC		12.4	GHz
VSWR			1.4:1	
Velocity of Propagation		70		%
Capacitance		29 [95.14]		pF/ft [pF/m]
Dielectric Withstanding Voltage (AC)			700	Vrms

Specifications by Frequency

N Male to N Male Low Loss Cable Using PE-P195 Coax with HeatShrink, LF Solder



PE33793LF/HS

Part Number	Length	Description	F1	F2	F3	F4	F5	Units	Weight (lbs)
			Frequency		500	1000	2500	5000	
PE33793LF/HS	Custom Lengths Available	Insertion Loss (Typ.)	0.088	0.125	0.196	0.315	0.512	dB/ft	
			0.29	0.42	0.65	1.04	1.68	dB/m	
PE33793LF/HS-12	12 In	Insertion Loss (Typ.)	0.29	0.33	0.4	0.52	0.72	dB	0.174
PE33793LF/HS-24	24 In	Insertion Loss (Typ.)	0.38	0.45	0.6	0.83	1.23	dB	0.213
PE33793LF/HS-36	36 In	Insertion Loss (Typ.)	0.47	0.58	0.79	1.15	1.74	dB	0.251
PE33793LF/HS-60	60 In	Insertion Loss (Typ.)	0.64	0.83	1.18	1.78	2.76	dB	0.327
PE33793LF/HS-72	72 In	Insertion Loss (Typ.)	0.73	0.95	1.38	2.09	3.28	dB	0.365

The insertion loss data for the base model does not include loss due to the connectors. Each length includes insertion loss due to the connectors.

Loss due to Connector 1: 0.1 dB
 Loss due to Connector 2: 0.1 dB
 Base Weight: 0.174 pounds
 Additional Weight per Inch: 0.00317 pounds

Mechanical Specifications

Cable Assembly

Width/Diameter 0.5 in [12.7 mm]
 Weight 0.136 lbs [61.69 g]

Cable

Cable Type PE-P195
 Impedance 50 Ohms
 Inner Conductor Type Solid
 Inner Conductor Material and Plating Copper Clad Steel, Silver
 Dielectric Type PTFE
 Number of Shields 3
 Shield Layer 1 Silver Plated Copper Braid
 Shield Layer 2 Aluminum Tape
 Shield Layer 3 Silver Plated Copper Braid
 Jacket Material FEP, Tan
 Jacket Diameter 0.195 in [4.95 mm]
 Repeated Minimum Bend Radius 1 in [25.4 mm]

N Male to N Male Low Loss Cable Using PE-P195 Coax with HeatShrink, LF Solder



PE33793LF/HS

Connectors

Description	Connector 1	Connector 2
Type	N Male	N Male
Specification	MIL-STD-348	MIL-STD-348
Impedance	50 Ohms	50 Ohms
Configuration	Straight	Straight
Contact Material and Plating	Brass, Silver	Brass, Silver
Dielectric Type	PTFE	PTFE
Body Material and Plating	Brass, Nickel	Brass, Nickel
Coupling Nut Material and Plating	Brass, Nickel	Brass, Nickel

Environmental Specifications

Operating Range Temperature -55 to +165 deg C

Compliance Certifications (see [product page](#) for current document)

Plotted and Other Data

Notes:

N Male to N Male Low Loss Cable Using PE-P195 Coax with HeatShrink, LF Solder



PE33793LF/HS

Typical Performance Data

How to Order

Part Number Configuration:

PE33793LF/HS - xx

uu

Unit of Measure:

cm = Centimeters

<blank> = Inches

Length

Base Number

Example: PE33793LF/HS-12 = 12 inches long cable
PE33793LF/HS-100cm = 100 cm long cable

N Male to N Male Low Loss Cable Using PE-P195 Coax with HeatShrink, LF Solder from Pasternack Enterprises has same day shipment for domestic and International orders. Our RF, microwave and millimeter wave products maintain a 99.4% availability and are part of the broadest selection in the industry.

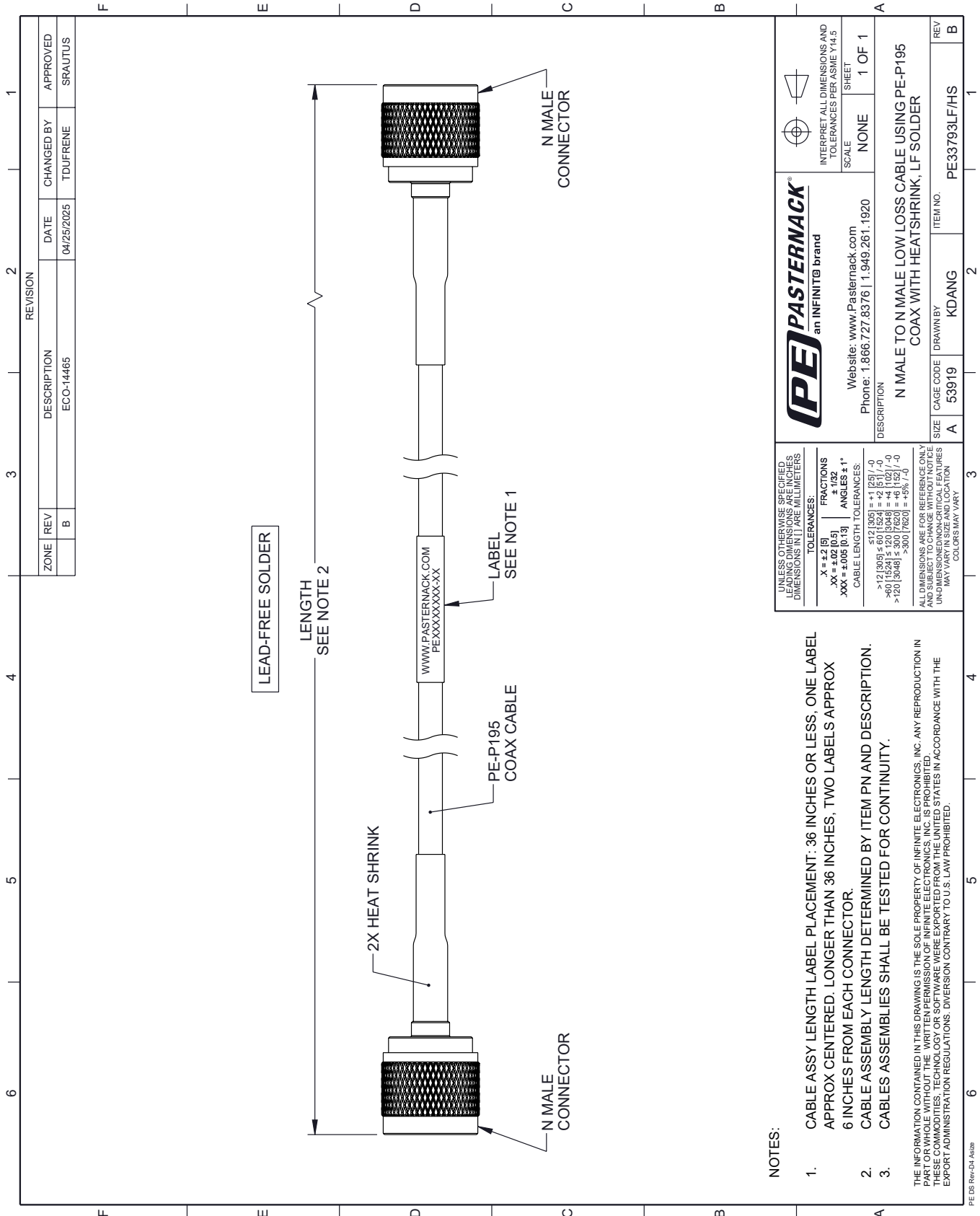
Click the following link (or enter part number in "SEARCH" on website) to obtain additional part information including price, inventory and certifications: [N Male to N Male Low Loss Cable Using PE-P195 Coax with HeatShrink, LF Solder PE33793LF/HS](#)

URL: <https://www.pasternack.com/n-male-to-n-male-low-loss-cable-using-pe-p195-with-heatshrink-lf-solder-pe33793lf-hs-p.aspx>

The information contained within this document is accurate to the best of our knowledge and representative of the part described herein. It may be necessary to make modifications to the part and/or the documentation of the part in order to implement improvements. Pasternack Enterprises reserves the right to make such changes as required. Unless otherwise stated, all specifications are nominal. Pasternack Enterprises does not make any representation or warranty regarding the suitability of the part described herein for any particular purpose, and Pasternack Enterprises does not assume liability arising out of the use of any part or document.

PE33793LF/HS CAD Drawing

N Male to N Male Low Loss Cable Using PE-P195 Coax with HeatShrink, LF Solder



REVISION		DATE	CHANGED BY	APPROVED
ZONE	REV			
	B	04/25/2025	TDUFRENE	SRAUTUS
DESCRIPTION				
ECO-14465				

PASTERNAK an INFINITB brand		INTERPRET ALL DIMENSIONS AND TOLERANCES PER ASME Y14.5 SCALE NONE SHEET 1 OF 1
Website: www.Pasternack.com Phone: 1.866.727.8376 1.949.261.1920		
DESCRIPTION N MALE TO N MALE LOW LOSS CABLE USING PE-P195 COAX WITH HEATSHRINK, LF SOLDER		
SIZE	CAGE CODE	ITEM NO.
A	53919	PE33793LF/HS
DRAWN BY		REV
KDANG		B

NOTES:

- CABLE ASSY LENGTH LABEL PLACEMENT: .36 INCHES OR LESS, ONE LABEL APPROX CENTERED, LONGER THAN .36 INCHES, TWO LABELS APPROX 6 INCHES FROM EACH CONNECTOR.
- CABLE ASSEMBLY LENGTH DETERMINED BY ITEM PN AND DESCRIPTION.
- CABLE ASSEMBLIES SHALL BE TESTED FOR CONTINUITY.

THE INFORMATION CONTAINED IN THIS DRAWING IS THE SOLE PROPERTY OF INFINITE ELECTRONICS, INC. ANY REPRODUCTION IN PART OR WHOLE WITHOUT THE WRITTEN PERMISSION OF INFINITE ELECTRONICS, INC. IS PROHIBITED. THESE COMMODITIES, TECHNOLOGY OR SOFTWARE WERE EXPORTED FROM THE UNITED STATES IN ACCORDANCE WITH THE EXPORT ADMINISTRATION REGULATIONS. DIVERSION CONTRARY TO U.S. LAW PROHIBITED.