

SMA Male to SMA Male Cable Using RG141 Coax with HeatShrink, LF Solder



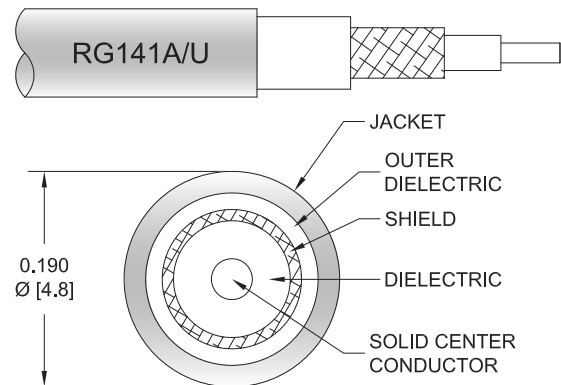
PE34387LF/HS

Configuration

- Connector 1: SMA Male
- Connector 2: SMA Male
- Cable Type: RG141
- Coax Flex Type: Flexible

Features

- Max Frequency 10 GHz
- 70% Phase Velocity
- PTFE (FG) Jacket



Applications

- General Purpose
- Laboratory Use

Description

Pasternack's PE34387LF/HS SMA male to SMA male cable using RG141 coax is part of our full line of RF components available for same-day shipping. Pasternack's flexible RF cable assemblies are ideal for applications where tight bends and flexure are required. This Pasternack SMA to SMA cable assembly has a male to male gender configuration with 50 ohm flexible RG141 coax. The PE34387LF/HS SMA male to SMA male cable assembly operates to 10 GHz.

Custom versions of most RF cable assemblies can be built and shipped same day. Custom cable assembly lengths can be obtained by specifying the desired length on the web site at time of order or by contacting a sales representative. Other available RF cable assembly value added services include connector orientation or clocking, heat shrink booting and custom labeling. RF testing can also be performed to document the electrical performance of your cable assembly.

Electrical Specifications

Description	Minimum	Typical	Maximum	Units
Frequency Range	DC		10	GHz
VSWR			1.4:1	
Velocity of Propagation		70		%
Capacitance		29.4 [96.46]		pF/ft [pF/m]
Dielectric Withstanding Voltage (AC)			1,000	Vrms
Jacket Spark			2,000	Vrms

Specifications by Frequency

SMA Male to SMA Male Cable Using
RG141 Coax with HeatShrink, LF Solder



PE34387LF/HS

Part Number	Length	Description	F1	F2	F3	F4	F5	Units	Weight (lbs)
			Frequency					MHz	
PE34387LF/HS	Custom Lengths Available	Insertion Loss (Typ.)	0.08	0.13	0.22	0.36	0.62	dB/ft	
			0.27	0.43	0.71	1.19	2.04	dB/m	
PE34387LF/HS-12	12 inch	Insertion Loss (Typ.)	0.28	0.33	0.42	0.56	0.82	dB	0.065
PE34387LF/HS-24	24 inch	Insertion Loss (Typ.)	0.36	0.46	0.64	0.92	1.44	dB	0.098
PE34387LF/HS-36	36 inch	Insertion Loss (Typ.)	0.44	0.59	0.85	1.28	2.06	dB	0.131
PE34387LF/HS-48	48 inch	Insertion Loss (Typ.)	0.52	0.72	1.07	1.64	2.68	dB	0.164
PE34387LF/HS-60	60 inch	Insertion Loss (Typ.)	0.6	0.85	1.29	2	3.3	dB	0.197

The insertion loss data for the base model does not include loss due to the connectors. Each length includes insertion loss due to the connectors.

Loss due to Connector 1: 0.1 dB
 Loss due to Connector 2: 0.1 dB
 Base Weight: 0.065 pounds
 Additional Weight per Inch: 0.00275 pounds

Mechanical Specifications

Cable Assembly

Width/Diameter 0.5 in [12.7 mm]
 Weight 0.032 lbs [14.51 g]

Cable

Cable Type RG141
 Impedance 50 Ohms
 Inner Conductor Type Solid
 Inner Conductor Material and Plating Copper Clad Steel, Silver
 Dielectric Type PTFE
 Number of Shields 1
 Shield Layer 1 Silver Plated Copper
 Jacket Material PTFE (FG), Beige
 Jacket Diameter 0.19 in [4.83 mm]

SMA Male to SMA Male Cable Using
RG141 Coax with HeatShrink, LF Solder



PE34387LF/HS

Connectors

Description	Connector 1	Connector 2
Type	SMA Male	SMA Male
Specification	MIL-STD-348A	MIL-STD-348A
Impedance	50 Ohms	50 Ohms
Configuration	Straight	Straight
Contact Material and Plating	Brass, Gold	Brass, Gold
Contact Plating Specification	50 µin minimum	50 µin minimum
Dielectric Type	PTFE	PTFE
Body Material and Plating	Brass, Nickel	Brass, Nickel
Body Plating Specification	100 µin minimum	100 µin minimum
Coupling Nut Material and Plating	Brass, Nickel	Brass, Nickel
Coupling Nut Plating Specification	100 µin minimum	100 µin minimum
Hex Size	5/16 inch	5/16 inch
Torque	3 in-lbs 0.34 Nm	3 in-lbs 0.34 Nm

Environmental Specifications

Operating Range Temperature -55 to +165 deg C

Compliance Certifications (see [product page](#) for current document)

Plotted and Other Data

Notes:

SMA Male to SMA Male Cable Using RG141 Coax with HeatShrink, LF Solder

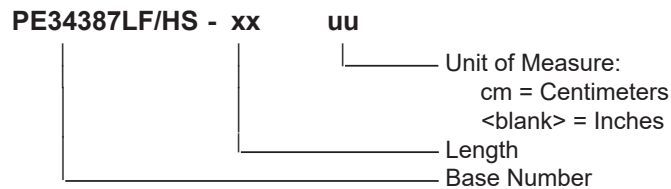


PE34387LF/HS

Typical Performance Data

How to Order

Part Number Configuration:



Example: PE34387LF/HS-12 = 12 inches long cable
PE34387LF/HS-100cm = 100 cm long cable

SMA Male to SMA Male Cable Using RG141 Coax with HeatShrink, LF Solder from Pasternack Enterprises has same day shipment for domestic and International orders. Our RF, microwave and millimeter wave products maintain a 99.4% availability and are part of the broadest selection in the industry.

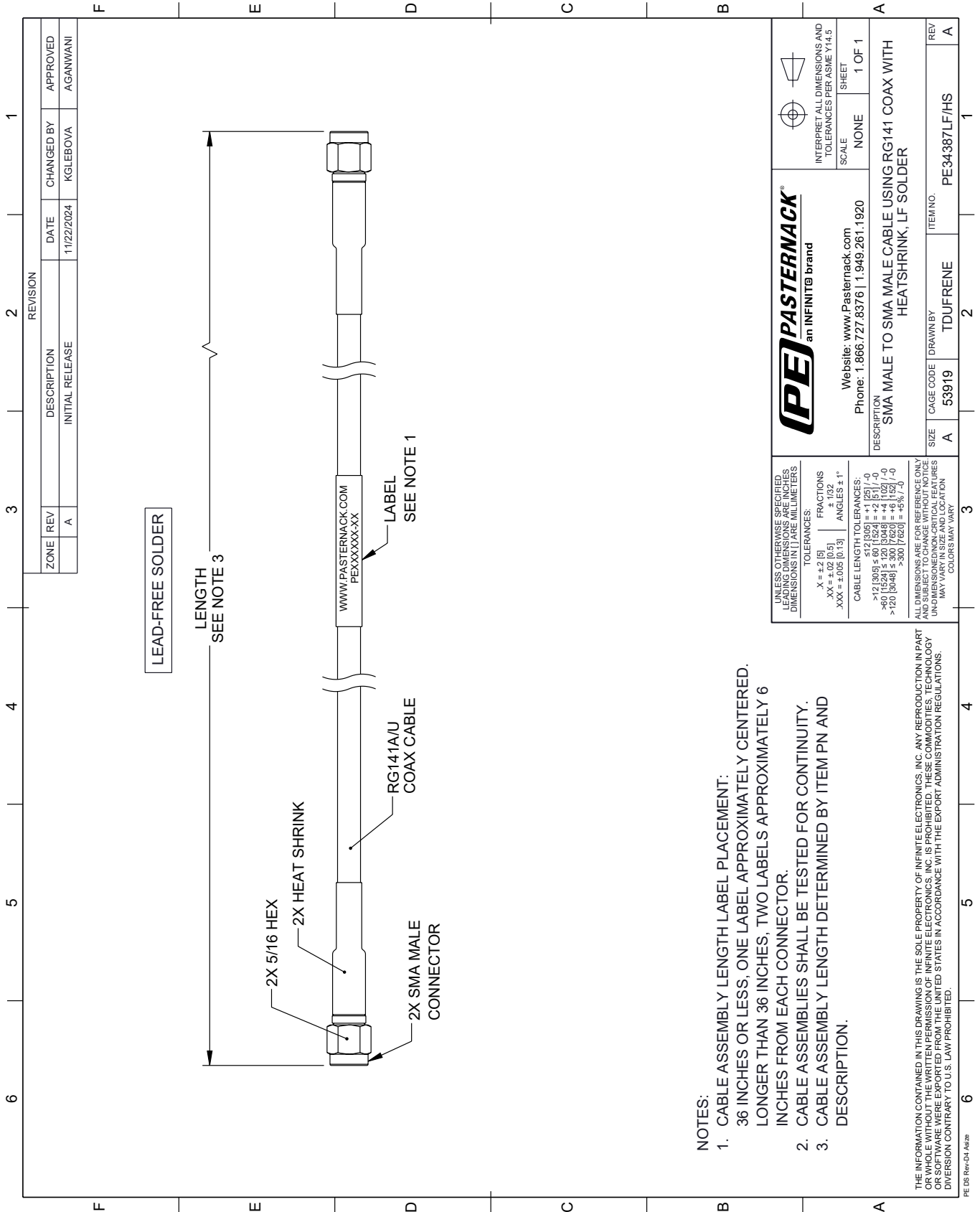
Click the following link (or enter part number in "SEARCH" on website) to obtain additional part information including price, inventory and certifications: [SMA Male to SMA Male Cable Using RG141 Coax with HeatShrink, LF Solder PE34387LF/HS](#)

URL: <https://www.pasternack.com/sma-male-to-sma-male-cable-using-rg141-with-heatshrink-lf-solder-pe34387lf-hs-p.aspx>

The information contained within this document is accurate to the best of our knowledge and representative of the part described herein. It may be necessary to make modifications to the part and/or the documentation of the part in order to implement improvements. Pasternack Enterprises reserves the right to make such changes as required. Unless otherwise stated, all specifications are nominal. Pasternack Enterprises does not make any representation or warranty regarding the suitability of the part described herein for any particular purpose, and Pasternack Enterprises does not assume liability arising out of the use of any part or document.

PE34387LF/HS CAD Drawing

SMA Male to SMA Male Cable Using RG141 Coax with HeatShrink, LF Solder



NOTES:

1. CABLE ASSEMBLY LENGTH LABEL PLACEMENT: 36 INCHES OR LESS, ONE LABEL APPROXIMATELY CENTERED. LONGER THAN 36 INCHES, TWO LABELS APPROXIMATELY 6 INCHES FROM EACH CONNECTOR.
2. CABLE ASSEMBLIES SHALL BE TESTED FOR CONTINUITY.
3. CABLE ASSEMBLY LENGTH DETERMINED BY ITEM PN AND DESCRIPTION.

THE INFORMATION CONTAINED IN THIS DRAWING IS THE SOLE PROPERTY OF INFINITE ELECTRONICS, INC. ANY REPRODUCTION IN PART OR WHOLE WITHOUT THE WRITTEN PERMISSION OF INFINITE ELECTRONICS, INC. IS PROHIBITED. THESE COMMODITIES, TECHNOLOGY OR SERVICES ARE BEING EXPORTED FROM THE UNITED STATES IN ACCORDANCE WITH THE EXPORT ADMINISTRATION REGULATIONS. DIVERSION CONTRARY TO U.S. LAW PROHIBITED.

PE DS Rev-04 Add2

REVISION		DATE	CHANGED BY	APPROVED		
ZONE	REV	DESCRIPTION	INITIAL RELEASE	11/22/2024	KGLEBOVA	AGANWANI
	A					

<p>PASTERNAK an INFINITE brand</p>		<p>INTERPRET ALL DIMENSIONS AND TOLERANCES PER ASME Y14.5</p>
Website: www.Pasternack.com Phone: 1.866.727.8376 1.949.261.1920		SCALE: NONE SHEET: 1 OF 1
DESCRIPTION: SMA MALE TO SMA MALE CABLE USING RG141 COAX WITH HEATSHRINK, LF SOLDER		
SIZE	CAGE CODE	ITEM NO.
A	53919	PE34387LF/HS
DRAWN BY		REV
TDUFRENE		A

UNLESS OTHERWISE SPECIFIED, LEADING DIMENSIONS ARE IN INCHES. DIMENSIONS IN [] ARE MILLIMETERS.

TOLERANCES:

.X = ±.2 [5]	FRACTIONS ± 1/32
.XX = ±.02 [0.5]	ANGLES ± 1°
.XXX = ±.005 [0.13]	

CABLE LENGTH TOLERANCES:

<12 [305]	±.1 [25]
>12 [305] < 60 [1524]	±.2 [51]
>60 [1524] < 120 [3048]	±.4 [102]
>120 [3048]	±.8 [203]

ALL DIMENSIONS ARE FOR REFERENCE ONLY. UNLESS OTHERWISE SPECIFIED, DIMENSIONS MAY VARY IN SIZE AND LOCATION. COLORS MAY VARY.