



N Male to N Female Bulkhead Low Loss Test Cable 50 CM Length Using PE-P142LL Coax, RoHS

TECHNICAL DATA SHEET

PE344-50CM

The PE340's high performance test cable's 0.195 inch diameter and 83% phase velocity offer very low loss performance up to 18 GHz. The durable stainless steel connectors and FEP jacket provide a cost effective design ideal for test environments where a rugged cable assembly is required. The series is offered with Type N, TNC, and SMA connectors all rated to 18 GHz. A heavy Duty boot provides improved strain relief and adds to the durability of the cable assemblies. These cable assemblies are built using a double shielded flexible cable, providing excellent shielding effectiveness of greater than 95 dB. All PE340 cable assemblies are 100% Continuity, Hi-POT, and RF tested to published specifications. Custom lengths are built to order and shipped same day.

- 83% Velocity of Propagation
- Shielding effectiveness > 95 dB
- Maximum VSWR is < 1.35:1 to 18 GHz
- Minimum Bend Radius of 1.5 inches
- Operating Temperature range of -55 to +125 °C
- ROHS and REACH Compliant
- Same day shipment of custom lengths
- 100% Continuity, Hi-Pot, and RF tested

Configuration

Connector 1	N Male
Connector 2	N Female Bulkhead
Cable Type	PE-P142LL

Electrical Specifications

Frequency Range, GHz	DC to 18
Impedance, Ohms	50
Maximum VSWR	1.35:1
Velocity of Propagation, %	83
RF Shielding, dB	95

Typical Performance by Frequency

Frequency 1

Frequency, MHz	400
Insertion Loss	0.045 dB [0.15 dB]
Power Handling, KWatts	1.2

Frequency 2

Frequency, MHz	1000
Insertion Loss	0.072 dB [0.24 dB]
Power Handling, Watts	700

Frequency 3

Frequency, GHz	2
Insertion Loss	0.103 dB [0.34 dB]
Power Handling, Watts	500

Click the following link (or enter part number in "SEARCH" on website) to obtain additional part information including price, inventory and certifications: [N Male to N Female Bulkhead Low Loss Test Cable 50 CM Length Using PE-P142LL Coax, RoHS PE344-50CM](#)

The information contained in this document is accurate to the best of our knowledge and representative of the part described herein. It may be necessary to make modifications to the part and/or the documentation of the part, in order to implement improvements. Pasternack reserves the right to make such changes as required. Unless otherwise stated, all specifications are nominal.



N Male to N Female Bulkhead Low Loss Test Cable
50 CM Length Using PE-P142LL Coax, RoHS

TECHNICAL DATA SHEET

PE344-50CM

Frequency 4

Frequency, GHz	3
Insertion Loss	0.127 dB [0.42 dB]
Power Handling, Watts	400

Frequency 5

Frequency, GHz	5
Insertion Loss	0.166 dB [0.54 dB]
Power Handling, Watts	300

Frequency 6

Frequency, GHz	10
Insertion Loss	0.24 dB [0.79 dB]
Power Handling, Watts	220

Frequency 7

Frequency, GHz	18
Insertion Loss	0.33 dB [1.08 dB]
Power Handling, Watts	160

Electrical Specification Notes:

Power handling values are calculated based on Cable properties. Power handling will vary based on the actual VSWR of the cable assembly.

Mechanical Specifications

Cable

Cable Type	PE-P142LL
No of Shields	3
Dielectric Type	PTFE
Jacket Material	FEP
Cable Color	Green
Jacket Diameter, in [mm]	0.195 [4.95]

Connector 1

Type	N Male
Configuration	Straight
Inner Conductor Material and Plating	Beryllium Copper, Gold
Inner Conductor Plating Specification	ASTM-B488, 50µ Inch.
Outer Conductor Material and Plating	Passivated Stainless Steel
Outer Conductor Plating Specification	SAE-AMS-2700
Coupling Nut Material and Plating	Passivated Stainless Steel
Coupling Nut Plating Specification	SAE-AMS-2700
Hex Size, Inch	3/4
Torque, in-lbs [Nm]	14 [1.58]
Dielectric Type	PTFE

Click the following link (or enter part number in "SEARCH" on website) to obtain additional part information including price, inventory and certifications: [N Male to N Female Bulkhead Low Loss Test Cable 50 CM Length Using PE-P142LL Coax, RoHS PE344-50CM](#)

The information contained in this document is accurate to the best of our knowledge and representative of the part described herein. It may be necessary to make modifications to the part and/or the documentation of the part, in order to implement improvements. Pasternack reserves the right to make such changes as required. Unless otherwise stated, all specifications are nominal.



N Male to N Female Bulkhead Low Loss Test Cable 50 CM Length Using PE-P142LL Coax, RoHS

TECHNICAL DATA SHEET

PE344-50CM

Connector 2

Type	N Female Bulkhead
Connector 2 Specification	MIL-STD-348, Figure 304-2
Configuration	Straight
Mount Method	Bulkhead
Inner Conductor Material and Plating	Beryllium Copper, Gold
Inner Conductor Plating Specification	ASTM-B488, 50µ In. Minimum
Outer Conductor Material and Plating	Passivated Stainless Steel
Outer Conductor Plating Specification	SAE-AMS-2700
Body Material and Plating	Passivated Stainless Steel
Body Plating Specification	SAE-AMS-2700
Dielectric Type	PEI

Temperature

Temperature Operating Range, deg C	-55 to +125
------------------------------------	-------------

Size

Length, in [mm]	19.685 [500]
Diameter, in [mm]	0.875 [22.23]
Weight, lbs [g]	0.252 [114.31]
Repeated Minimum Bend Radius, in [mm]	1 [25.4]

Compliance Certifications (visit www.Pasternack.com for current document)

RoHS Compliant	Yes
REACH Compliant	07/19/2006

Plotted and Other Data

Notes:	Values at 25 °C, sea level
--------	----------------------------

N Male to N Female Bulkhead Low Loss Test Cable 50 CM Length Using PE-P142LL Coax, RoHS from Pasternack Enterprises has same day shipment for domestic and International orders. Our RF, microwave and fiber optic products maintain a 99% availability and are part of the broadest selection in the industry.

Click the following link (or enter part number in "SEARCH" on website) to obtain additional part information including price, inventory and certifications: [N Male to N Female Bulkhead Low Loss Test Cable 50 CM Length Using PE-P142LL Coax, RoHS PE344-50CM](http://www.pasternack.com/n-male-n-female-pe-p142ll-cable-assembly-pe344-50cm-p.aspx)

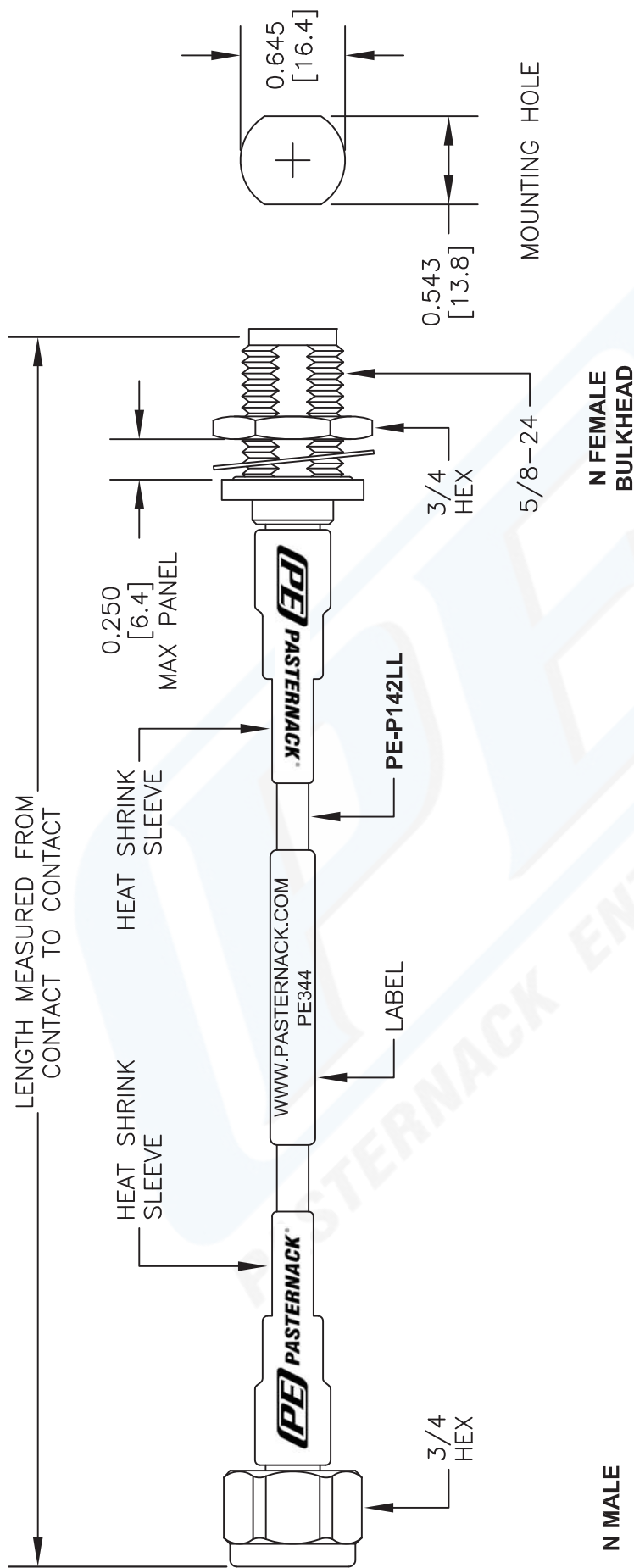
URL: <http://www.pasternack.com/n-male-n-female-pe-p142ll-cable-assembly-pe344-50cm-p.aspx>

The information contained in this document is accurate to the best of our knowledge and representative of the part described herein. It may be necessary to make modifications to the part and/or the documentation of the part, in order to implement improvements. Pasternack reserves the right to make such changes as required. Unless otherwise stated, all specifications are nominal.

PE344-50CM CAD Drawing

N Male to N Female Bulkhead Low Loss Test Cable 50 CM

Length Using PE-P142LL Coax, RoHS



NOTE:
LABEL FOR CABLE LENGTHS 48" OR SHORTER TO BE CENTERED. 48" OR LONGER WILL BE 12" AWAY FROM CONNECTOR.

Part Number Configuration		How To Order	
PE3	zzz - xx uu	Part # Ext.	Length In Inches
00 - 99999	CM = Centimeters < Blank > = Inches Length	-12	12"
		-24	24"
		-36	36"
		-48	48"
		-60	60"
		-xx	Custom Length
		Part # Ext.	Length In Centimeters
		-25CM	25Cm
		-50CM	50Cm
		-75CM	75Cm
		-100CM	100Cm
		-125CM	125Cm
		-xxCM	Custom Length

NOTES:
1. UNLESS OTHERWISE SPECIFIED ALL DIMENSIONS ARE NOMINAL.
2. ALL SPECIFICATIONS ARE SUBJECT TO CHANGE WITHOUT NOTICE AT ANY TIME.
3. DIMENSIONS ARE IN INCHES [mm].
4. LENGTH TOLERANCE IS ± 1.5% OR 3/8", WHICHEVER IS GREATER.

DWG TITLE
PE344

PE PASTERNAK®
Pasternack Enterprises, Inc.
P.O. Box 16759 | Irvine | CA | 92623
Phone: (949) 261-1920 | Fax: (949) 261-7451
Website: www.pasternack.com | E-Mail: sales@pasternack.com

FSCM NO. 53919	CAD FILE 091713	SCALE N/A	SIZE A	2233
----------------	-----------------	-----------	--------	------