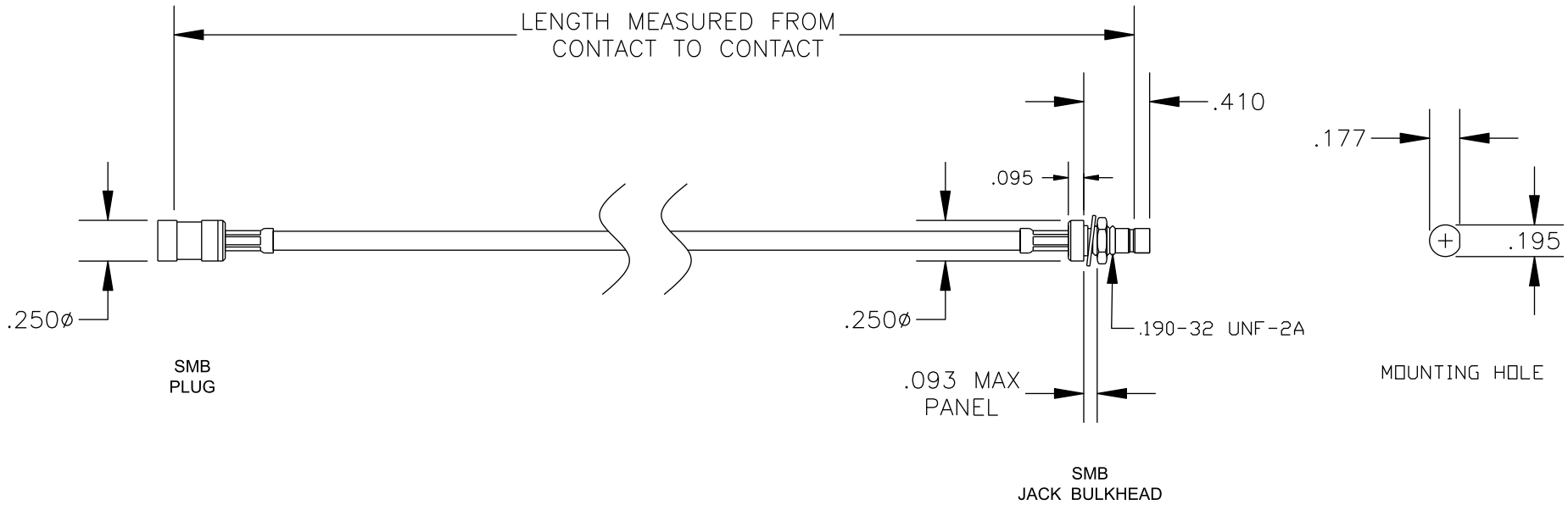


| COMPONENTS        | IMPEDANCE |
|-------------------|-----------|
| SMB PLUG          | 50 OHM    |
| SMB JACK BULKHEAD | 50 OHM    |
| RG188-DS          | 50 OHM    |

| Standard Lengths |                         |
|------------------|-------------------------|
| -12              | 12"                     |
| -24              | 24"                     |
| -36              | 36"                     |
| -48              | 48"                     |
| -60              | 60"                     |
| -XXX             | Custom Length in inches |



**PASTERNACK ENTERPRISES, INC.**  
 P.O BOX 16759, IRVINE, CA 92623  
 PHONE (949) 261-1920 FAX (949) 261-7451  
 WEB ADDRESS: [www.pasternack.com](http://www.pasternack.com)  
 E-MAIL ADDRESS: [sales@pasternack.com](mailto:sales@pasternack.com)  
**COAXIAL & FIBER OPTICS**

|                     |   |
|---------------------|---|
| DWG TITLE           | DES.  |
| <b>PE34489LF-XX</b> | CABLE ASSEMBLY, RG188-DS, SMB PLUG TO SMB JACK BULKHEAD (LEAD FREE) |

|        |                |                 |           |        |     |
|--------|----------------|-----------------|-----------|--------|-----|
| REV. A | FSCM NO. 53919 | CAD FILE 020408 | SCALE N/A | SIZE A | 147 |
|--------|----------------|-----------------|-----------|--------|-----|

- NOTES:
1. UNLESS OTHERWISE SPECIFIED ALL DIMENSIONS ARE NOMINAL.
  2. ALL SPECIFICATIONS ARE SUBJECT TO CHANGE WITHOUT NOTICE AT ANY TIME.
  3. DIMENSIONS ARE IN INCHES.
  4. LENGTH TOLERANCE IS  $\pm 1.5\%$  OR  $\pm 3/8"$ , WHICHEVER IS GREATER.



RoHS  
Compliance  
Certified