



2.92mm Male to 2.92mm Male Cable Using PE-P160 Coax

RF Cable Assemblies Technical Data Sheet

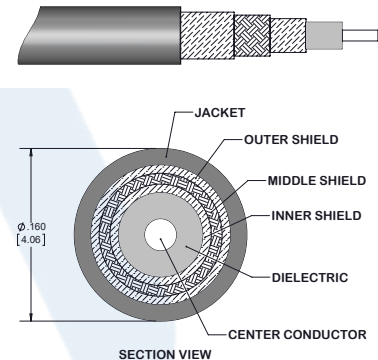
PE360

Configuration

- Connector 1: 2.92mm Male
- Connector 2: 2.92mm Male
- Cable Type: PE-P160

Features

- Max Frequency 40 GHz
- Shielding Effectivity > 90 dB
- 78% Phase Velocity
- Triple Shielded
- ETFE Jacket



Applications

- General Purpose
- Laboratory Use

Description

Pasternack's PE360 2.92mm male to 2.92mm male cable using PE-P160 coax is part of our full line of RF components available for same-day shipping. Pasternack's flexible RF cable assemblies are ideal for applications where tight bends and flexure are required. This Pasternack 2.92mm to 2.92mm cable assembly has a male to male gender configuration with 50 ohm flexible PE-P160 coax. The PE360 2.92mm male to 2.92mm male cable assembly operates to 40 GHz. The triple shielding of this Pasternack cable assembly provides excellent shielding effectiveness of better than 90 dB.

Custom versions of most RF cable assemblies can be built and shipped same day. Custom cable assembly lengths can be obtained by specifying the desired length on the web site at time of order or by contacting a sales representative. Other available RF cable assembly value added services include connector orientation or clocking, heat shrink booting and custom labeling. RF testing can also be performed to document the electrical performance of your cable assembly.

Click the following link (or enter part number in "SEARCH" on website) to obtain additional part information including price, inventory and certifications: [2.92mm Male to 2.92mm Male Cable Using PE-P160 Coax PE360](#)



2.92mm Male to 2.92mm Male Cable Using PE-P160 Coax

RF Cable Assemblies Technical Data Sheet

PE360

Electrical Specifications

Description	Minimum	Typical	Maximum	Units
Frequency Range	DC		40	GHz
VSWR			1.4:1	
Velocity of Propagation		78		%
RF Shielding	90			dB
Capacitance		26 [85.3]		pF/ft [pF/m]
Inductance		66 [216.54]		uH/ft [uH/m]

Specifications by Frequency

Description	F1	F2	F3	F4	F5	Units
Frequency	2.5	5	10	18	40	GHz
Insertion Loss (Max.)	0.221	0.323	0.474	0.668	1.071	dB/ft
	0.73	1.06	1.56	2.19	3.51	dB/m
Insertion Loss (Typ.)	0.201	0.294	0.431	0.607	0.974	dB/ft
	0.66	0.96	1.41	1.99	3.2	dB/m
VSWR (Max.)	1.26:1	1.26:1	1.3:1	1.4:1	1.4:1	
Return Loss (Max.)	18.96	18.962	17.692	15.728	15.728	dB

Electrical Specification Notes:

Theoretical insertion loss data is calculated with the assumption that cables are tested in a straight geometry. Insertion Loss does not include the loss of the connectors. Insertion Loss is estimated as $0.05 \cdot \sqrt{\text{FGHz}}$ dB per connector.

Mechanical Specifications

Cable Assembly

Diameter 0.33 in [8.38 mm]

Cable

Cable Type PE-P160
 Impedance 50 Ohms
 Inner Conductor Type Solid
 Inner Conductor Material and Plating Copper, Silver
 Dielectric Type PTFE
 Number of Shields 3
 Shield Layer 1 Silver Plated Copper
 Shield Layer 2 Aluminum Tape

Click the following link (or enter part number in "SEARCH" on website) to obtain additional part information including price, inventory and certifications: [2.92mm Male to 2.92mm Male Cable Using PE-P160 Coax PE360](#)



2.92mm Male to 2.92mm Male Cable Using PE-P160 Coax

RF Cable Assemblies Technical Data Sheet

PE360

Shield Layer 3 Silver Plated Copper
 Jacket Material ETFE, Gray
 Jacket Diameter 0.155 in [3.94 mm]

Repeated Minimum Bend Radius 0.8 in [20.32 mm]

Connectors

Description	Connector 1	Connector 2
Type	2.92mm Male	2.92mm Male
Impedance	50 Ohms	50 Ohms
Contact Material and Plating	Beryllium Copper, Gold over Nickel	Beryllium Copper, Gold over Nickel
Contact Plating Specification	50µ" min. / 50µ" min.	50µ" min. / 50µ" min.
Dielectric Type	Oxide-Noryl	Oxide-Noryl
Body Material and Plating	Passivated Stainless Steel	Passivated Stainless Steel
Body Plating Specification	SAE-AMS-2700	SAE-AMS-2700
Coupling Nut Material and Plating	Passivated Stainless Steel	Passivated Stainless Steel
Coupling Nut Plating Specification	SAE-AMS-2700	SAE-AMS-2700
Hex Size	5/16 inch	5/16 inch
Torque	8 in-lbs [0.9 Nm]	8 in-lbs [0.9 Nm]

Environmental Specifications

Temperature

Operating Range -45 to +90 deg C

Compliance Certifications (see [product page](#) for current document)

Plotted and Other Data

Notes:

- Values at 25°C, sea level.

Click the following link (or enter part number in "SEARCH" on website) to obtain additional part information including price, inventory and certifications: [2.92mm Male to 2.92mm Male Cable Using PE-P160 Coax PE360](#)



2.92mm Male to 2.92mm Male Cable Using PE-P160 Coax

RF Cable Assemblies Technical Data Sheet

PE360

How to Order

Part Number Configuration:

PE360

- xx

uu

Unit of Measure:
cm = Centimeters
<blank> = Inches
Length
Base Number

Example: PE360-12 = 12 inches long cable
PE360-100cm = 100 cm long cable

2.92mm Male to 2.92mm Male Cable Using PE-P160 Coax from Pasternack Enterprises has same day shipment for domestic and International orders. Our RF, microwave and millimeter wave products maintain a 99.4% availability and are part of the broadest selection in the industry.

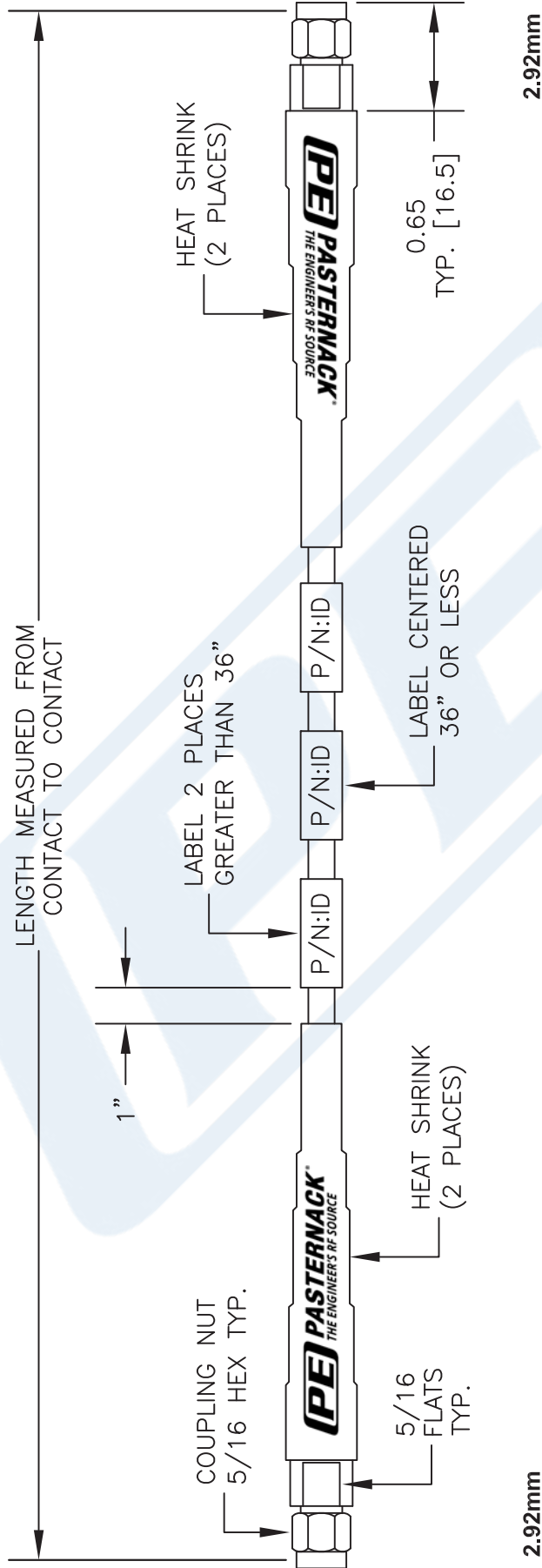
Click the following link (or enter part number in "SEARCH" on website) to obtain additional part information including price, inventory and certifications: [2.92mm Male to 2.92mm Male Cable Using PE-P160 Coax PE360](#)

URL: <https://www.pasternack.com/2.92mm-male-2.92mm-male-pe-p160-cable-assembly-pe360-p.aspx>

The information contained in this document is accurate to the best of our knowledge and representative of the part described herein. It may be necessary to make modifications to the part and/or the documentation of the part, in order to implement improvements. Pasternack reserves the right to make such changes as required. Unless otherwise stated, all specifications are nominal. Pasternack does not make any representation or warranty regarding the suitability of the part described herein for any particular purpose, and Pasternack does not assume any liability arising out of the use of any part or documentation.

PE360 CAD Drawing

2.92mm Male to 2.92mm Male Cable Using PE-P160 Coax



STANDARD TOLERANCES	
.X	±0.2
.XX	±0.1
.XXX	±0.05

*STANDARD TOLERANCES APPLY ONLY TO DIMENSIONS IN INCHES

<p>PE PASTERNAK THE ENGINEER'S RF SOURCE</p> <p>Pasternack Enterprises, Inc. P.O. Box 16759 Irvine CA 92623</p> <p>Phone: (949) 261-1920 Fax: (949) 261-7451 Website: www.pasternack.com E-Mail: sales@pasternack.com</p>	<p>DWG TITLE</p> <h2 style="text-align: center;">PE360</h2> <p>FSCM NO. 53919</p>	<p>NOTES:</p> <ol style="list-style-type: none"> 1. UNLESS OTHERWISE SPECIFIED ALL DIMENSIONS ARE NOMINAL. 2. ALL SPECIFICATIONS ARE SUBJECT TO CHANGE WITHOUT NOTICE AT ANY TIME. 3. DIMENSIONS ARE IN INCHES [mm].
CAD FILE 110816	SCALE N/A	SIZE A 41742