

N Female Bulkhead to BNC Male Right Angle Cable Using RG400 Coax

TECHNICAL DATA SHEET

PE36232

Configuration

Connector 1	N Female Bulkhead
Connector 2	BNC Male Right Angle
Cable Type	RG400

Electrical Specifications

Frequency Range	DC to 4 GHz
Impedance	50 Ohms
Maximum VSWR	1.3:1
Velocity of Propagation	70 %

Mechanical Specifications

Temperature

Temperature Operating Range	-55 to +200 deg C
-----------------------------	-------------------

Size

Weight	0.197 lbs [89.36 g]
Cable Color	Tan
One Time Minimum Bend Radius	1 in [25.4 mm]

Cable

Cable Type	RG400
Inner Conductor Type	Stranded
Cable Inner Conductor	Copper, Silver
No of Shields	2
Dielectric Type	PTFE
Jacket Material	FEP
Jacket Diameter	0.195 in [4.95 mm]

Connector 1

Type	N Female Bulkhead
Connector 1 Specification	MIL-STD-348A
Configuration	Straight
Mount Method	Bulkhead
Inner Conductor Material and Plating	Brass, Gold
Inner Conductor Plating Specification	30μ in. minimum
Body Material and Plating	Brass, Nickel
Body Plating Specification	100μ in. minimum
Dielectric Type	Teflon

Connector 2

Type	BNC Male Right Angle
Connector 2 Specification	MIL-STD-348A
Configuration	Right Angle
Inner Conductor Material and Plating	Brass, Gold
Inner Conductor Plating Specification	30μ in. minimum

Click the following link (or enter part number in "SEARCH" on website) to obtain additional part information including price, inventory and certifications: [N Female Bulkhead to BNC Male Right Angle Cable Using RG400 Coax PE36232](#)

N Female Bulkhead to BNC Male Right Angle Cable Using RG400 Coax

TECHNICAL DATA SHEET

PE36232

Coupling Nut Plating Specification	100µ in. minimum
Body Material and Plating	Brass, Nickel
Body Plating Specification	100µ in. minimum
Dielectric Type	Teflon

Compliance Certifications (visit www.Pasternack.com for current document)

For RoHS Compliant version, use PE36232LF. Contact Pasternack if product cannot be found.

REACH Compliant

12/19/2011

Notes:

- Values at +25 °C, sea level

N Female Bulkhead to BNC Male Right Angle Cable Using RG400 Coax from Pasternack Enterprises has same day shipment for domestic and International orders. Our RF, microwave and millimeter wave products maintain a 99% availability and are part of the broadest selection in the industry.

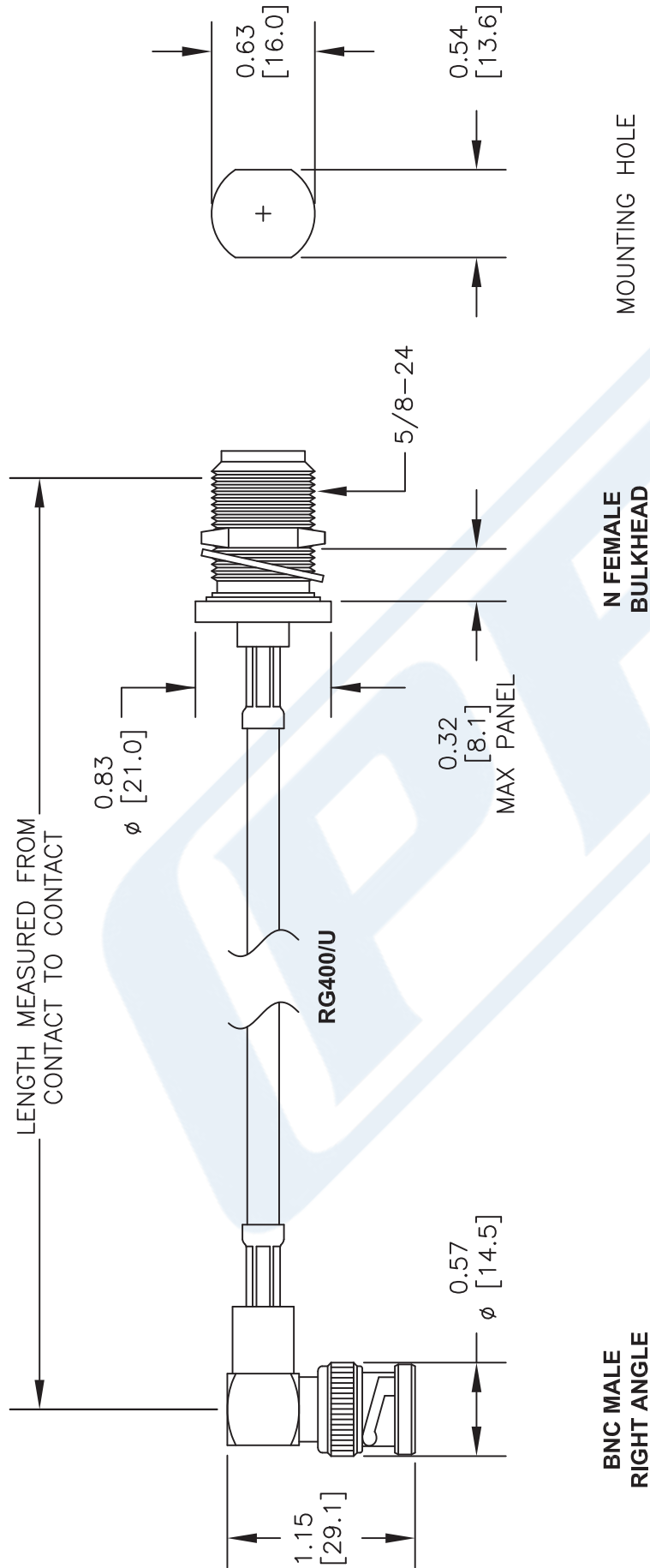
Click the following link (or enter part number in "SEARCH" on website) to obtain additional part information including price, inventory and certifications: [N Female Bulkhead to BNC Male Right Angle Cable Using RG400 Coax PE36232](#)

URL: <http://www.pasternack.com/n-female-bnc-male-rg400u-cable-assembly-pe36232-p.aspx>

The information contained in this document is accurate to the best of our knowledge and representative of the part described herein. It may be necessary to make modifications to the part and/or the documentation of the part, in order to implement improvements. Pasternack reserves the right to make such changes as required. Unless otherwise stated, all specifications are nominal. Pasternack does not make any representation or warranty regarding the suitability of the part described herein for any particular purpose, and Pasternack does not assume any liability arising out of the use of any part or documentation.

PE36232 CAD Drawing

N Female Bulkhead to BNC Male Right Angle Cable Using RG400 Coax



**BNC MALE
RIGHT ANGLE**

**N FEMALE
BULKHEAD**

MOUNTING HOLE

LENGTH MEASURED FROM CONTACT TO CONTACT

How To Order		Part # Ext.	Length In Inches	Part # Ext.	Length In Centimeters
Part Number Configuration		-12	12"	-25CM	25Cm
PE3	zzz yy - xx uu	-24	24"	-50CM	50Cm
00 - 99999	LF = RoHS Compliant < Blank > = Standard	-36	36"	-75CM	75Cm
	Note: LF applies only to RF cables	-48	48"	-100CM	100Cm
		-60	60"	-125CM	125Cm
		-XX	Custom Length	-XXCM	Custom Length


PE PASTERNAK
 THE ENGINEER'S RF SOURCE
 Pasternack Enterprises, Inc.
 P.O. Box 16759 | Irvine | CA | 92623
 Phone: (949) 261-1920 | Fax: (949) 261-7451
 Website: www.pasternack.com | E-Mail: sales@pasternack.com

DWG TITLE
PE36232

FSCM NO. 53919
 CAD FILE 080114
 SCALE N/A
 SIZE A
 2233

NOTES:
 1. UNLESS OTHERWISE SPECIFIED ALL DIMENSIONS ARE NOMINAL.
 2. ALL SPECIFICATIONS ARE SUBJECT TO CHANGE WITHOUT NOTICE AT ANY TIME.
 3. DIMENSIONS ARE IN INCHES [mm].
 4. LENGTH TOLERANCE IS ± 1.5% OR 3/8", WHICHEVER IS GREATER.