

SMA Male to SMA Male Low Loss Cable Using PE-C100-LSZH Coax with HeatShrink



PE37908/HS

Configuration

- Connector 1: SMA Male
- Connector 2: SMA Male
- Cable Type: PE-C100-LSZH
- Coax Flex Type: Flexible

Features

- Max Frequency 6 GHz
- Shielding Effectivity > 90 dB
- 66% Phase Velocity
- Double Shielded
- LSZH Jacket

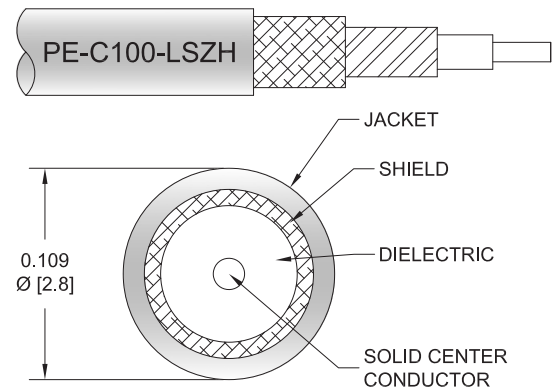
Applications

- General Purpose
- Laboratory Use

Description

Pasternack's PE37908/HS SMA male to SMA male cable using PE-C100-LSZH coax is part of our full line of RF components available for same-day shipping. Pasternack's flexible RF cable assemblies are ideal for applications where tight bends and flexure are required. This Pasternack SMA to SMA cable assembly has a male to male gender configuration with 50 ohm flexible PE-C100-LSZH coax. The PE37908/HS SMA male to SMA male cable assembly operates to 6 GHz. The double shielding of this Pasternack cable assembly provides excellent shielding effectiveness of better than 90 dB.

Custom versions of most RF cable assemblies can be built and shipped same day. Custom cable assembly lengths can be obtained by specifying the desired length on the web site at time of order or by contacting a sales representative. Other available RF cable assembly value added services include connector orientation or clocking, heat shrink booting and custom labeling. RF testing can also be performed to document the electrical performance of your cable assembly.



Electrical Specifications

| Description | Minimum | Typical | Maximum | Units |
|-------------------------------|---------|---------------|---------|-----------------------|
| Frequency Range | DC | | 6 | GHz |
| VSWR | | | 1.4:1 | |
| Velocity of Propagation | | 66 | | % |
| RF Shielding | 90 | | | dB |
| Group Delay | | 1.62 [5.31] | | ns/ft [ns/m] |
| Capacitance | | 30.8 [101.05] | | pF/ft [pF/m] |
| Inductance | | 0.077 [0.25] | | uH/ft [uH/m] |
| DC Resistance Inner Conductor | | 81 [265.75] | | Ohms/1000ft [Ohms/Km] |
| DC Resistance Outer Conductor | | 9.5 [31.17] | | Ohms/1000ft [Ohms/Km] |

SMA Male to SMA Male Low Loss Cable Using PE-C100-LSZH Coax with HeatShrink



PE37908/HS

Electrical Specifications

| Description | Minimum | Typical | Maximum | Units |
|--------------|---------|---------|---------|-------|
| Jacket Spark | | | 2,000 | Vrms |

Specifications by Frequency

| Part Number | Length | Description | F1 | F2 | F3 | F4 | F5 | Units | Weight (lbs) |
|---------------|--------------------------|-----------------------|-----------|-------|------|-------|-------|-------|--------------|
| | | | Frequency | | | | | MHz | |
| PE37908/HS | Custom Lengths Available | Insertion Loss (Typ.) | 0.115 | 0.166 | 0.24 | 0.398 | 0.641 | dB/ft | |
| | | | 0.38 | 0.55 | 0.79 | 1.31 | 2.11 | dB/m | |
| PE37908/HS-12 | 12 In | Insertion Loss (Typ.) | 0.32 | 0.37 | 0.44 | 0.6 | 0.85 | dB | 0.034 |
| PE37908/HS-24 | 24 In | Insertion Loss (Typ.) | 0.43 | 0.54 | 0.68 | 1 | 1.49 | dB | 0.045 |
| PE37908/HS-36 | 36 In | Insertion Loss (Typ.) | 0.55 | 0.7 | 0.92 | 1.4 | 2.13 | dB | 0.055 |
| PE37908/HS-48 | 48 In | Insertion Loss (Typ.) | 0.66 | 0.87 | 1.16 | 1.8 | 2.77 | dB | 0.065 |
| PE37908/HS-60 | 60 In | Insertion Loss (Typ.) | 0.78 | 1.03 | 1.4 | 2.19 | 3.41 | dB | 0.075 |

The insertion loss data for the base model does not include loss due to the connectors. Each length includes insertion loss due to the connectors.

| | |
|-----------------------------|----------------|
| Loss due to Connector 1: | 0.1 dB |
| Loss due to Connector 2: | 0.1 dB |
| Base Weight: | 0.034 pounds |
| Additional Weight per Inch: | 0.00084 pounds |

Mechanical Specifications

Cable Assembly

| | |
|----------------|---------------------|
| Width/Diameter | 0.5 in [12.7 mm] |
| Weight | 0.024 lbs [10.89 g] |

Cable

| | |
|--------------------------------------|------------------------|
| Cable Type | PE-C100-LSZH |
| Impedance | 50 Ohms |
| Inner Conductor Type | Solid |
| Inner Conductor Material and Plating | Copper Clad Steel |
| Dielectric Type | PE |
| Number of Shields | 2 |
| Shield Layer 1 | Aluminum Tape |
| Shield Layer 2 | Tinned Copper Braid |
| Jacket Material | LSZH, Black |
| Jacket Diameter | 0.109 in [2.77 mm] |
| One Time Minimum Bend Radius | 0.25 in [6.35 mm] |
| Repeated Minimum Bend Radius | 1 in [25.4 mm] |
| Bending Moment | 0.1 lbs-ft [0.14 N-m] |
| Flat Plate Crush | 10 lbs/in [0.18 Kg/mm] |
| Tensile Strength | 15 lbs [6.8 Kg] |

SMA Male to SMA Male Low Loss Cable Using PE-C100-LSZH Coax with HeatShrink



PE37908/HS

Connectors

| Description | Connector 1 | Connector 2 |
|------------------------------------|------------------|------------------|
| Type | SMA Male | SMA Male |
| Specification | MIL-STD-348A | MIL-STD-348A |
| Impedance | 50 Ohms | 50 Ohms |
| Configuration | Straight | Straight |
| Contact Material and Plating | Brass, Gold | Brass, Gold |
| Contact Plating Specification | 30 µin minimum | 30 µin minimum |
| Dielectric Type | PTFE | PTFE |
| Body Material and Plating | Brass, Nickel | Brass, Nickel |
| Body Plating Specification | 100 µin minimum | 100 µin minimum |
| Coupling Nut Material and Plating | Brass, Nickel | Brass, Nickel |
| Coupling Nut Plating Specification | 100 µin minimum | 100 µin minimum |
| Hex Size | 5/16 inch | 5/16 inch |
| Torque | 3 in-lbs 0.34 Nm | 3 in-lbs 0.34 Nm |

Environmental Specifications

Operating Range Temperature -40 to +85 deg C

Compliance Certifications (see [product page](#) for current document)

Plotted and Other Data

Notes:

SMA Male to SMA Male Low Loss Cable Using PE-C100-LSZH Coax with HeatShrink

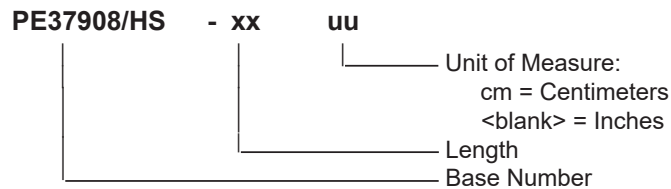


PE37908/HS

Typical Performance Data

How to Order

Part Number Configuration:



Example: PE37908/HS-12 = 12 inches long cable
PE37908/HS-100cm = 100 cm long cable

SMA Male to SMA Male Low Loss Cable Using PE-C100-LSZH Coax with HeatShrink from Pasternack Enterprises has same day shipment for domestic and International orders. Our RF, microwave and millimeter wave products maintain a 99.4% availability and are part of the broadest selection in the industry.

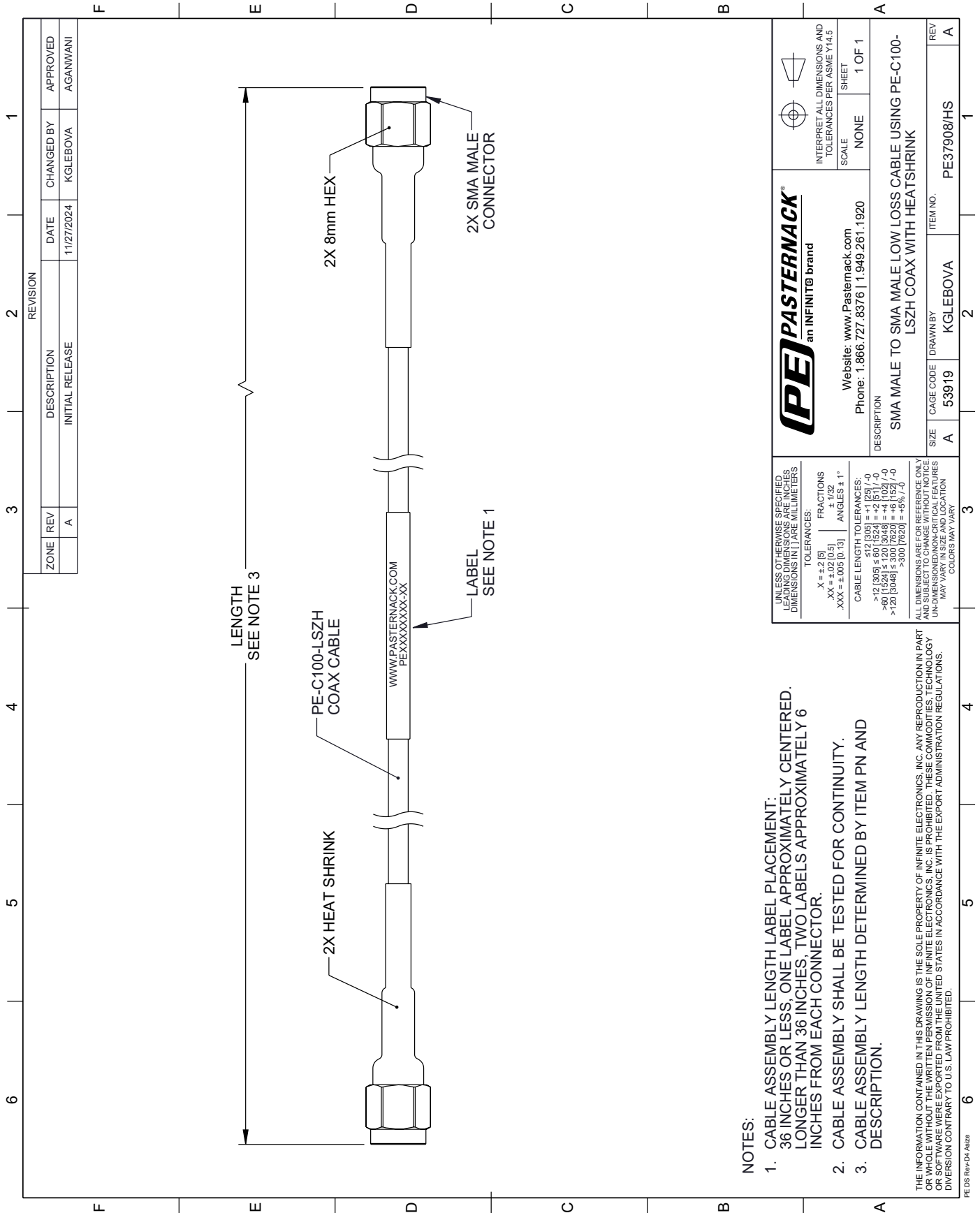
Click the following link (or enter part number in "SEARCH" on website) to obtain additional part information including price, inventory and certifications: [SMA Male to SMA Male Low Loss Cable Using PE-C100-LSZH Coax with HeatShrink PE37908/HS](#)

URL: <https://www.pasternack.com/sma-male-to-sma-male-low-loss-cable-using-pe-c100-lszh-with-heatshrink-pe37908-hs-p.aspx>

The information contained within this document is accurate to the best of our knowledge and representative of the part described herein. It may be necessary to make modifications to the part and/or the documentation of the part in order to implement improvements. Pasternack Enterprises reserves the right to make such changes as required. Unless otherwise stated, all specifications are nominal. Pasternack Enterprises does not make any representation or warranty regarding the suitability of the part described herein for any particular purpose, and Pasternack Enterprises does not assume liability arising out of the use of any part or document.

PE37908/HS CAD Drawing

SMA Male to SMA Male Low Loss Cable Using PE-C100-LSZH Coax with HeatShrink



NOTES:

1. CABLE ASSEMBLY LENGTH LABEL PLACEMENT: 36 INCHES OR LESS, ONE LABEL APPROXIMATELY CENTERED. LONGER THAN 36 INCHES, TWO LABELS APPROXIMATELY 6 INCHES FROM EACH CONNECTOR.
2. CABLE ASSEMBLY SHALL BE TESTED FOR CONTINUITY.
3. CABLE ASSEMBLY LENGTH DETERMINED BY ITEM PN AND DESCRIPTION.

THE INFORMATION CONTAINED IN THIS DRAWING IS THE SOLE PROPERTY OF INFINITE ELECTRONICS, INC. ANY REPRODUCTION IN PART OR WHOLE WITHOUT THE WRITTEN PERMISSION OF INFINITE ELECTRONICS, INC. IS PROHIBITED. THESE COMMODITIES, TECHNOLOGY OR SOFTWARE WERE EXPORTED FROM THE UNITED STATES IN ACCORDANCE WITH THE EXPORT ADMINISTRATION REGULATIONS. DIVERSION CONTRARY TO U.S. LAW PROHIBITED.

PE DS Rev-04 A182z

| | | | |
|---|-----------------|--|---------------------|
| | | INTERPRET ALL DIMENSIONS AND TOLERANCES PER ASME Y14.5 SCALE NONE SHEET 1 OF 1 | |
| Website: www.Pasternack.com Phone: 1.866.727.8376 1.949.261.1920 | | DESCRIPTION SMA MALE TO SMA MALE LOW LOSS CABLE USING PE-C100-LSZH COAX WITH HEATSHRINK | |
| SIZE A | CAGE CODE 53919 | DRAWN BY KGLEBOVA | ITEM NO. PE37908/HS |
| UNLESS OTHERWISE SPECIFIED LEADING DIMENSIONS ARE IN INCHES DIMENSIONS IN PAREMILLIMETERS | | ALL DIMENSIONS ARE FOR REFERENCE ONLY UNLESS OTHERWISE SPECIFIED. DIMENSIONS ON CRITICAL FEATURES MAY VARY IN SIZE AND LOCATION. COLORS MAY VARY | |
| TOLERANCES: .X = ±.2 [5] .XX = ±.02 [0.5] .XXX = ±.005 [0.13] | | FRACTIONS ± 1/32 ANGLES ± 1° | |
| CABLE LENGTH TOLERANCES: >12 [305] ≤ 60 [1524] = +1 [25] / -0 >60 [1524] ≤ 120 [3048] = +4 [102] / -0 >120 [3048] ≤ 300 [7620] = +5 [127] / -0 | | REVISIONS REV A DESCRIPTION INITIAL RELEASE DATE 11/27/2024 CHANGED BY KGLEBOVA APPROVED AGANWANI | |