



TNC Female Bulkhead to UMCX Plug Cable Using RG178 Coax

RF Cable Assemblies Technical Data Sheet

PE38304

Configuration

- Connector 1: TNC Female Bulkhead
- Connector 2: UMCX Plug Right Angle
- Cable Type: RG178

Features

- 69.5% Phase Velocity
- FEP Jacket

Applications

- General Purpose
- Laboratory Use

Description

Pasternack's PE38304 TNC female bulkhead to UMCX plug right angle cable using RG178 coax is part of our full line of RF components available for same-day shipping. Pasternack's flexible RF cable assemblies are ideal for applications where tight bends and flexure are required. This Pasternack TNC to UMCX cable assembly has a female to plug gender configuration with 50 ohm flexible RG178 coax. The right angle UMCX interface on the RG178 cable allows for easier connections in tight spaces. Our RF cable assembly with TNC bulkhead interface allows designers to create external connections on their product enclosures, and can be used in a variety of other rack mount and panel mount applications.

Custom versions of most RF cable assemblies can be built and shipped same day. Custom cable assembly lengths can be obtained by specifying the desired length on the web site at time of order or by contacting a sales representative. Other available RF cable assembly value added services include connector orientation or clocking, heat shrink booting and custom labeling. RF testing can also be performed to document the electrical performance of your cable assembly.

Electrical Specifications

Description	Minimum	Typical	Maximum	Units
Velocity of Propagation		69.5		%
Capacitance		29.4 [96.46]		pF/ft [pF/m]

Mechanical Specifications

Cable Assembly

Weight 0.07 lbs [31.75 g]

Cable

Cable Type RG178
 Impedance 50 Ohms
 Inner Conductor Type Stranded
 Inner Conductor Material and Plating Copper Clad Steel, Silver
 Dielectric Type PTFE

Click the following link (or enter part number in "SEARCH" on website) to obtain additional part information including price, inventory and certifications: [TNC Female Bulkhead to UMCX Plug Cable Using RG178 Coax PE38304](#)



TNC Female Bulkhead to UMCX Plug Cable Using RG178 Coax

RF Cable Assemblies Technical Data Sheet

PE38304

Number of Shields	1
Shield Layer 1	Silver Plated Copper Braid
Jacket Material	FEP, Tan
Jacket Diameter	0.072 in [1.83 mm]
Repeated Minimum Bend Radius	0.393 in [9.98 mm]

Connectors

Description	Connector 1	Connector 2
Type	TNC Female Bulkhead	UMCX Plug Right Angle
Impedance	50 Ohms	50 Ohms
Body Material and Plating	Brass, Nickel	

Compliance Certifications (see [product page](#) for current document)

Plotted and Other Data

Notes:

- Values at 25°C, sea level.

Click the following link (or enter part number in "SEARCH" on website) to obtain additional part information including price, inventory and certifications: [TNC Female Bulkhead to UMCX Plug Cable Using RG178 Coax PE38304](#)



TNC Female Bulkhead to UMCX Plug Cable Using RG178 Coax

RF Cable Assemblies Technical Data Sheet

PE38304

How to Order

Part Number Configuration:

PE38304

- **xx**

uu

Unit of Measure:

cm = Centimeters

<blank> = Inches

Length

Base Number

Example: PE38304-12 = 12 inches long cable
PE38304-100cm = 100 cm long cable

TNC Female Bulkhead to UMCX Plug Cable Using RG178 Coax from Pasternack Enterprises has same day shipment for domestic and International orders. Our RF, microwave and millimeter wave products maintain a 99.4% availability and are part of the broadest selection in the industry.

Click the following link (or enter part number in "SEARCH" on website) to obtain additional part information including price, inventory and certifications: [TNC Female Bulkhead to UMCX Plug Cable Using RG178 Coax PE38304](https://www.pasternack.com/tnc-female-umcx-plug-rg178bu-cable-assembly-pe38304-p.aspx)

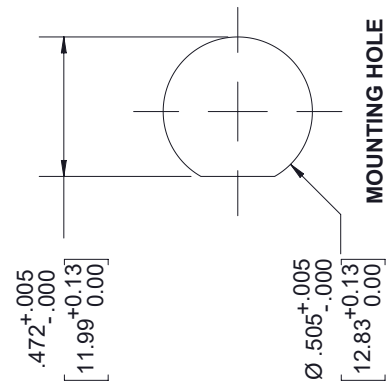
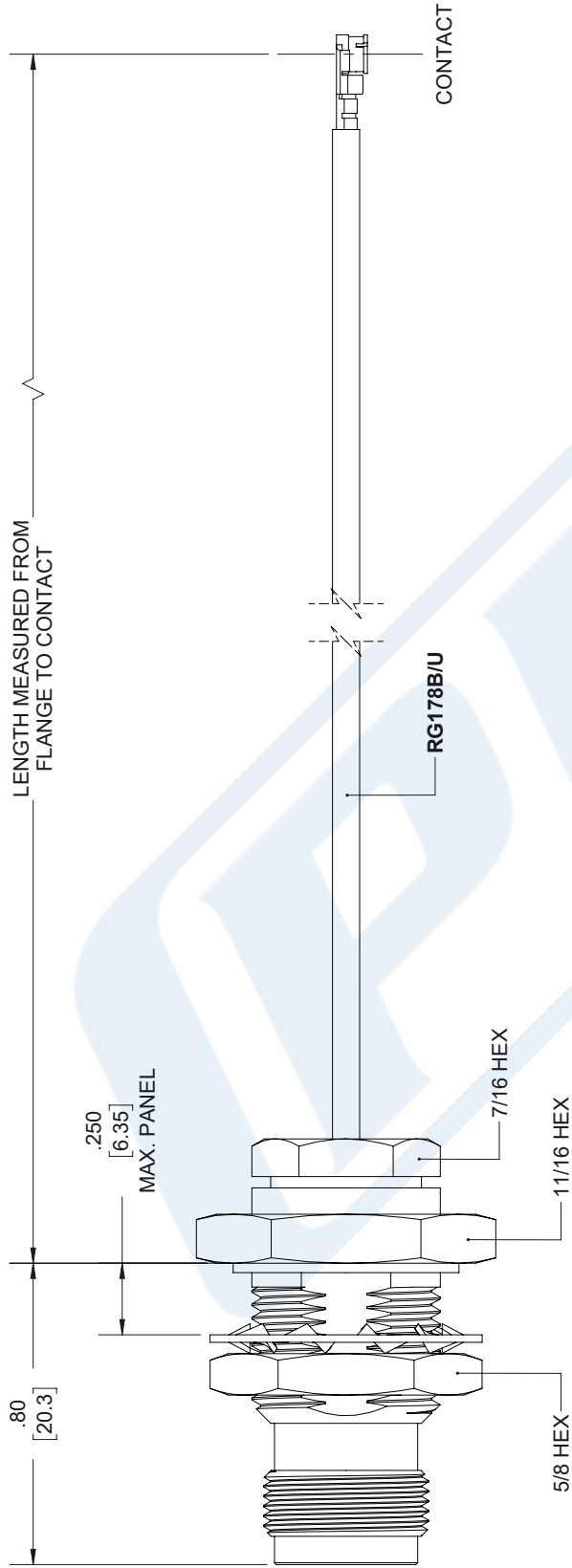
URL: <https://www.pasternack.com/tnc-female-umcx-plug-rg178bu-cable-assembly-pe38304-p.aspx>

The information contained in this document is accurate to the best of our knowledge and representative of the part described herein. It may be necessary to make modifications to the part and/or the documentation of the part, in order to implement improvements. Pasternack reserves the right to make such changes as required. Unless otherwise stated, all specifications are nominal. Pasternack does not make any representation or warranty regarding the suitability of the part described herein for any particular purpose, and Pasternack does not assume any liability arising out of the use of any part or documentation.

PE38304 CAD Drawing

TNC Female Bulkhead to UMCX Plug Cable Using RG178 Coax

REVISIONS			
REV.	DESCRIPTION	DATE	APPROVED
A	INITIAL RELEASE	5/27/2020	S. ELLIS



UNLESS OTHERWISE SPECIFIED LEADING DIMENSIONS ARE INCHES DIMENSIONS IN [] ARE MILLIMETERS

TOLERANCES:

.X = ± .2	[5.08]	FRACTIONS
.XX = ± .02	[.51]	± 1/32
.XXX = ± .005	[.13]	ANGLES ± 1°

CABLE LENGTH (L) TOLERANCES:

L ≤ 12	[305]	= +1 [25] / -0
12 [305] < L ≤ 60	[1524]	= +2 [51] / -0
60 [1524] < L ≤ 120	[3048]	= +4 [102] / -0
120 [3048] < L ≤ 300	[7620]	= +6 [152] / -0
300 [7620] < L ≤ ∞		= +5% / L / -0

ALL DIMENSIONS SHOWN ARE FOR REFERENCE ONLY.

PE PASTERNAK
an INFINIT brand

Pasternack Enterprises, Inc.
P. O. Box 16759, Irvine, CA 92623.
Phone: 1.949.261.1920 | 1.866.727.8376
Fax: 1.949.261.7451
Website: www.pasternack.com
E-mail: sales@pasternack.com

THIRD-ANGLE PROJECTION

THE INFORMATION AND DESIGN IN THIS DOCUMENT IS THE PROPERTY OF PASTERNAK CORPORATION ALL RIGHTS RESERVED.

SHEET 1 OF 1

SCALE N/A

SIZE	CAGE CODE	DRAWN BY	ITEM NO.
A	53919	K. DANG	PE-38304
REV			A

THESE COMMODITIES, TECHNOLOGY OR SOFTWARE WERE EXPORTED FROM THE UNITED STATES IN ACCORDANCE WITH THE EXPORT ADMINISTRATION REGULATIONS. DIVERSION CONTRARY TO U.S. LAW PROHIBITED.