



SMA Male to SMA Female Bulkhead Cable
48 Inch Length Using RG316 Coax

RF Cable Assemblies - PE3835-48

Configuration

- Connector 1: SMA Male
- Connector 2: SMA Female Bulkhead
- Cable Type: RG316

Electrical Specifications

Description	Minimum	Typical	Maximum	Units
Capacitance		32 [104.99]		pF/ft [pF/m]

Mechanical Specifications

Cable Assembly

Length	48 in [121.92 cm]
Diameter	0.312 in [7.92 mm]
Weight	0.025 lbs [11.34 g]
Cable Color	Tan
Connection Type	In-Series

Cable

Cable Type	RG316
Impedance	50 Ohms
Inner Conductor Type	Stranded
Inner Conductor Material and Plating	Copper Clad Steel, Silver
Dielectric Type	PTFE
Number of Shields	1
Shield Layer 1	Silver Plated Copper Braid
Jacket Material	FEP
Jacket Diameter	0.098 in [2.49 mm]

Click the following link (or enter part number in "SEARCH" on website) to obtain additional part information including price, inventory and certifications: [SMA Male to SMA Female Bulkhead Cable 48 Inch Length Using RG316 Coax PE3835-48](#)



SMA Male to SMA Female Bulkhead Cable
48 Inch Length Using RG316 Coax

RF Cable Assemblies - PE3835-48

Connectors

Description	Connector 1	Connector 2
Type	SMA Male	SMA Female Bulkhead
Specification	MIL-STD-348A	
Impedance	50 Ohms	50 Ohms
Connection Method	Standard	Standard
Contact Material and Plating	Brass, Gold	Gold
Contact Plating Specification	30μ in. Minimum	
Dielectric Type	PTFE	
Coupling Nut Material and Plating	Brass, Nickel	
Coupling Nut Plating Specification	100μ in. Minimum	
Hex Size	5/16 in	
Torque	5 in-lbs [0.57 Nm]	[]
Body Material and Plating	Brass, Nickel	Brass, Nickel
Body Plating Specification	100μ in. Minimum	

Environmental Specifications

Compliance Certifications (visit www.Pasternack.com for current document)

For RoHS Compliant version, use PE3835LF-48. Contact Pasternack if product cannot be found.
REACH Compliant 06/18/2012

Plotted and Other Data

Notes:

- Values at 25°C, sea level.

Click the following link (or enter part number in "SEARCH" on website) to obtain additional part information including price, inventory and certifications: [SMA Male to SMA Female Bulkhead Cable 48 Inch Length Using RG316 Coax PE3835-48](#)



SMA Male to SMA Female Bulkhead Cable
48 Inch Length Using RG316 Coax

RF Cable Assemblies - PE3835-48

How to Order

Part Number Configuration:

PE3835

- xx

uu

Unit of Measure:

cm = Centimeters

<blank> = Inches

Length

Base Number

Example: PE3835-12 = 12 inches long cable
PE3835-100cm = 100 cm long cable

SMA Male to SMA Female Bulkhead Cable 48 Inch Length Using RG316 Coax from Pasternack Enterprises has same day shipment for domestic and International orders. Our RF, microwave and millimeter wave products maintain a 99% availability and are part of the broadest selection in the industry.

Click the following link (or enter part number in "SEARCH" on website) to obtain additional part information including price, inventory and certifications: [SMA Male to SMA Female Bulkhead Cable 48 Inch Length Using RG316 Coax PE3835-48](#)

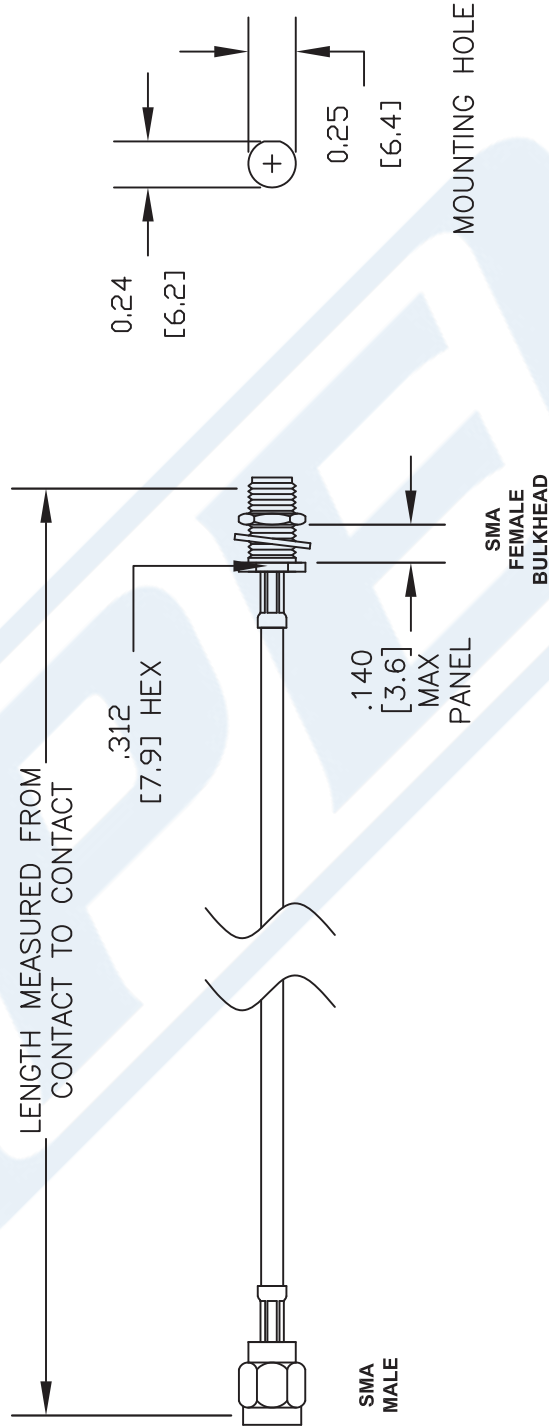
URL: <http://www.pasternack.com/sma-male-sma-female-rg316u-cable-assembly-pe3835-48-p.aspx>

The information contained in this document is accurate to the best of our knowledge and representative of the part described herein. It may be necessary to make modifications to the part and/or the documentation of the part, in order to implement improvements. Pasternack reserves the right to make such changes as required. Unless otherwise stated, all specifications are nominal. Pasternack does not make any representation or warranty regarding the suitability of the part described herein for any particular purpose, and Pasternack does not assume any liability arising out of the use of any part or documentation.

PE3835-48 CAD Drawing

SMA Male to SMA Female Bulkhead Cable 48 Inch Length Using RG316 Coax

Standard Lengths	
-12	12"
-24	24"
-36	36"
-48	48"
-60	60"
-XXX	Custom Length in Inches



NOTES:
 1. UNLESS OTHERWISE SPECIFIED ALL DIMENSIONS ARE NOMINAL.
 2. ALL SPECIFICATIONS ARE SUBJECT TO CHANGE WITHOUT NOTICE AT ANY TIME.
 3. DIMENSIONS ARE IN INCHES [mm].
 4. LENGTH TOLERANCE IS $\pm 1.5\%$ OR $3/8"$, WHICHEVER IS GREATER.

DWG TITLE
PE3835-XX

PE PASTERNAK®
 Pasternack Enterprises, Inc.
 P.O. Box 16759 | Irvine | CA | 92623
 Phone: (949) 261-1920 | Fax: (949) 261-7451
 Website: www.pasternack.com | E-Mail: sales@pasternack.com

REV. A	FSCM NO. 53919	CAD FILE 120708	SCALE N/A	SIZE A	127
--------	----------------	-----------------	-----------	--------	-----