



3/4 inch-20 Twinax Male to 3/4 inch-20 Twinax Male Cable
90 Inch Length Using 100 Ohm PE-S330 Coax, RoHS

TECHNICAL DATA SHEET

PE3930LF-90

Configuration

Connector 1	3/4"-20 Twinax Male
Connector 2	3/4"-20 Twinax Male
Cable Type	PE-S330

Electrical Specifications

Frequency Range	DC to 400 MHz
Impedance	95 Ohms

Performance by Frequency

Frequency 1

Frequency	50 MHz
Insertion Loss	0.3 dB

Frequency 2

Frequency	100 MHz
Insertion Loss	0.43 dB

Frequency 3

Frequency	200 MHz
Insertion Loss	0.66 dB

Frequency 4

Frequency	400 MHz
Insertion Loss	0.102 dB

Mechanical Specifications

Size

Length	90 in [228.6 cm]
Diameter	0.866 in [22 mm]
Weight	0.373 lbs [169.19 g]
Cable Color	Black

Cable

Cable Type	PE-S330
Inner Conductor Type	Stranded
Cable Inner Conductor	Copper, Tin
No of Shields	2
Dielectric Type	PE
Jacket Material	PVC
Jacket Diameter	0.33 in [8.38 mm]

Connector 1

Type	3/4"-20 Twinax Male
Configuration	Straight

Click the following link (or enter part number in "SEARCH" on website) to obtain additional part information including price, inventory and certifications: [3/4 inch-20 Twinax Male to 3/4 inch-20 Twinax Male Cable 90 Inch Length Using 100 Ohm PE-S330 Coax, RoHS PE3930LF-90](#)



3/4 inch-20 Twinax Male to 3/4 inch-20 Twinax Male Cable
90 Inch Length Using 100 Ohm PE-S330 Coax, RoHS

TECHNICAL DATA SHEET PE3930LF-90

Inner Conductor Material and Plating	Brass, Gold
Inner Conductor Plating Specification	30µ in. minimum
Body Material and Plating	Brass, Nickel
Body Plating Specification	100µ in. minimum
Dielectric Type	PBT

Connector 2

Type	3/4"-20 Twinax Male
Configuration	Straight
Inner Conductor Material and Plating	Brass, Gold
Inner Conductor Plating Specification	30µ in. minimum
Body Material and Plating	Brass, Nickel
Body Plating Specification	100µ in. minimum
Dielectric Type	PBT

Compliance Certifications (visit www.Pasternack.com for current document)

RoHS Compliant	Yes
----------------	-----

Plotted and Other Data

- Notes:
- Values at +25 °C, sea level

Click the following link (or enter part number in "SEARCH" on website) to obtain additional part information including price, inventory and certifications: [3/4 inch-20 Twinax Male to 3/4 inch-20 Twinax Male Cable 90 Inch Length Using 100 Ohm PE-S330 Coax, RoHS PE3930LF-90](#)

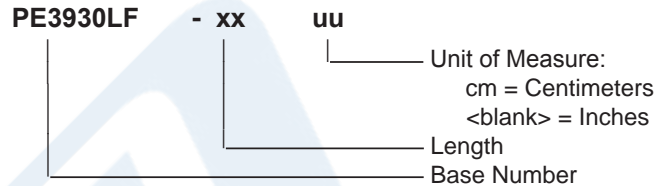


3/4 inch-20 Twinax Male to 3/4 inch-20 Twinax Male Cable
90 Inch Length Using 100 Ohm PE-S330 Coax, RoHS

TECHNICAL DATA SHEET PE3930LF-90

How to Order

Part Number Configuration:



Example: PE3930LF-12 = 12 inches long cable
PE3930LF-100cm = 100 cm long cable

3/4 inch-20 Twinax Male to 3/4 inch-20 Twinax Male Cable 90 Inch Length Using 100 Ohm PE-S330 Coax, RoHS from Pasternack Enterprises has same day shipment for domestic and International orders. Our RF, microwave and millimeter wave products maintain a 99% availability and are part of the broadest selection in the industry.

Click the following link (or enter part number in "SEARCH" on website) to obtain additional part information including price, inventory and certifications: [3/4 inch-20 Twinax Male to 3/4 inch-20 Twinax Male Cable 90 Inch Length Using 100 Ohm PE-S330 Coax, RoHS PE3930LF-90](http://www.pasternack.com/3-4-20-male-3-4-20-male-pe-s330-cable-pe3930lf-90-p.aspx)

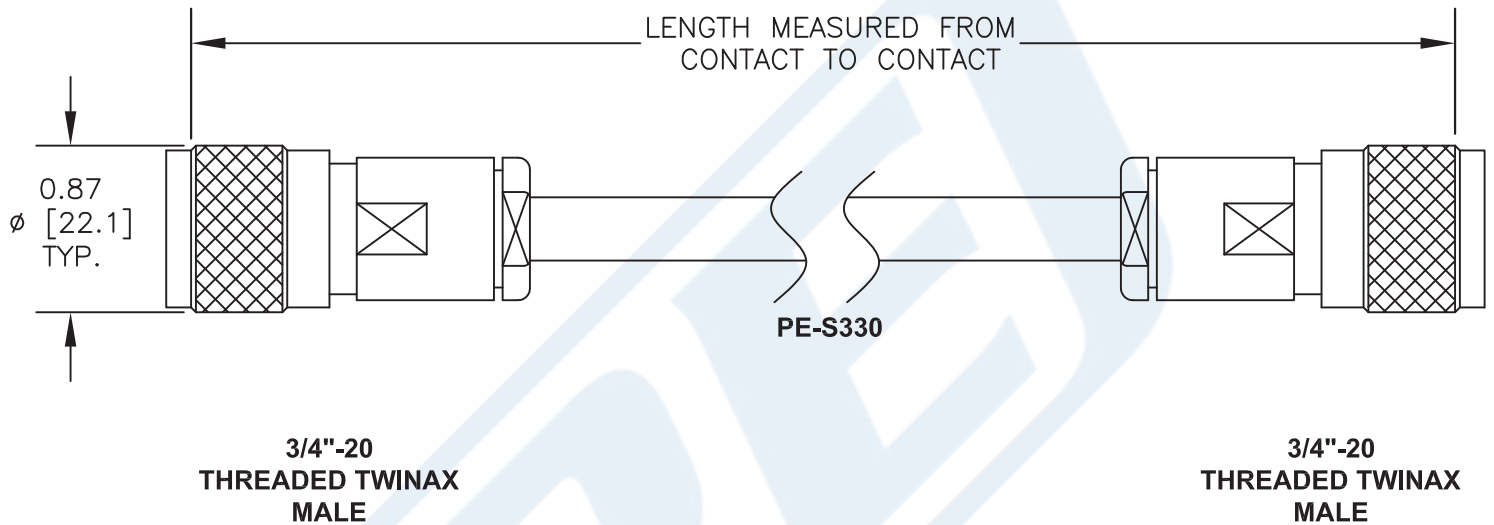
URL: <http://www.pasternack.com/3-4-20-male-3-4-20-male-pe-s330-cable-pe3930lf-90-p.aspx>

The information contained in this document is accurate to the best of our knowledge and representative of the part described herein. It may be necessary to make modifications to the part and/or the documentation of the part, in order to implement improvements. Pasternack reserves the right to make such changes as required. Unless otherwise stated, all specifications are nominal. Pasternack does not make any representation or warranty regarding the suitability of the part described herein for any particular purpose, and Pasternack does not assume any liability arising out of the use of any part or documentation.

PE3930LF-90 CAD Drawing

3/4 inch-20 Twinax Male to 3/4 inch-20 Twinax Male Cable

90 Inch Length Using 100 Ohm PE-S330 Coax, RoHS



Pasternack Enterprises, Inc.
P.O. Box 16759 | Irvine | CA | 92623

Phone: (949) 261-1920 | Fax: (949) 261-7451

Website: www.pasternack.com | E-Mail: sales@pasternack.com

NOTES:

1. UNLESS OTHERWISE SPECIFIED ALL DIMENSIONS ARE NOMINAL.
2. ALL SPECIFICATIONS ARE SUBJECT TO CHANGE WITHOUT NOTICE AT ANY TIME.
3. DIMENSIONS ARE IN INCHES [mm].
4. LENGTH TOLERANCE IS $\pm 1.5\%$ OR $3/8"$, WHICHEVER IS GREATER.

DWG TITLE

PE3930LF

FSCM NO. 53919

CAD FILE

032515

SCALE N/A

SIZE A

2233