



SMA Male to BNC Male Low Loss Cable Using LMR-195 Coax, LF Solder

TECHNICAL DATA SHEET

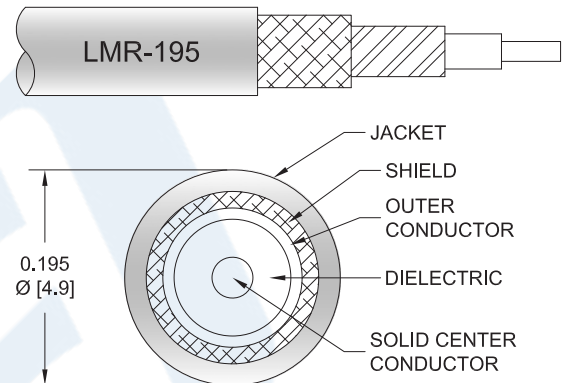
PE3C0051LF

Configuration

- Connector 1: SMA Male
- Connector 2: BNC Male
- Cable Type: LMR-195
- Coax Flex Type: Flexible

Features

- Max Frequency 4 GHz
- Shielding Effectivity > 90 dB
- 80% Phase Velocity
- Double Shielded
- PE Jacket



Applications

- General Purpose
- Laboratory Use

Description

Pasternack's PE3C0051LF SMA male to BNC male cable using LMR-195 coax is part of our full line of RF components available for same-day shipping. Pasternack's flexible RF cable assemblies are ideal for applications where tight bends and flexure are required. This Pasternack SMA to BNC cable assembly has a male to male gender configuration with 50 ohm flexible LMR-195 coax. The PE3C0051LF SMA male to BNC male cable assembly operates to 4 GHz. The double shielding of this Pasternack cable assembly provides excellent shielding effectiveness of better than 90 dB.

Custom versions of most RF cable assemblies can be built and shipped same day. Custom cable assembly lengths can be obtained by specifying the desired length on the web site at time of order or by contacting a sales representative. Other available RF cable assembly value added services include connector orientation or clocking, heat shrink booting and custom labeling. RF testing can also be performed to document the electrical performance of your cable assembly.

Click the following link (or enter part number in "SEARCH" on website) to obtain additional part information including price, inventory and certifications: [SMA Male to BNC Male Low Loss Cable Using LMR-195 Coax, LF Solder PE3C0051LF](#)



SMA Male to BNC Male Low Loss Cable Using LMR-195 Coax, LF Solder

TECHNICAL DATA SHEET

PE3C0051LF

Electrical Specifications

Description	Minimum	Typical	Maximum	Units
Frequency Range	DC		4	GHz
VSWR			1.4:1	
Velocity of Propagation		80		%
RF Shielding	90			dB
Group Delay		1.27 [4.17]		ns/ft [ns/m]
Capacitance		25.4 [83.33]		pF/ft [pF/m]
Inductance		0.064 [0.21]		uH/ft [uH/m]
DC Resistance Inner Conductor		7.6 [24.93]		Ω /1000ft [Ω /Km]
DC Resistance Outer Conductor		4.9 [16.08]		Ω /1000ft [Ω /Km]
Jacket Spark			3,000	Vrms

Specifications by Frequency

Part Number	Length	Description	F1	F2	F3	F4	F5	Units	Weight (lbs)
		Frequency	100	250	500	1000	4000	MHz	
PE3C0051LF	Custom Lengths Available	Insertion Loss (Typ.)	0.03	0.06	0.08	0.12	0.24	dB/ft	
			0.12	0.19	0.27	0.39	0.79	dB/m	
PE3C0051LF-12	12 inch	Insertion Loss (Typ.)	0.24	0.26	0.29	0.32	0.44	dB	0.065
PE3C0051LF-24	24 inch	Insertion Loss (Typ.)	0.27	0.32	0.37	0.44	0.68	dB	0.088
PE3C0051LF-36	36 inch	Insertion Loss (Typ.)	0.31	0.38	0.45	0.55	0.92	dB	0.11
PE3C0051LF-48	48 inch	Insertion Loss (Typ.)	0.34	0.43	0.53	0.67	1.16	dB	0.132
PE3C0051LF-60	60 inch	Insertion Loss (Typ.)	0.37	0.49	0.61	0.78	1.4	dB	0.154

The insertion loss data for the base model does not include loss due to the connectors. Each length includes insertion loss due to the connectors.

Loss due to Connector 1:	0.1 dB
Loss due to Connector 2:	0.1 dB
Base Weight:	0.065 pounds
Additional Weight per Inch:	0.00075 pounds

Mechanical Specifications

Cable Assembly

Weight 0.065 lbs [29.48 g]

Click the following link (or enter part number in "SEARCH" on website) to obtain additional part information including price, inventory and certifications: [SMA Male to BNC Male Low Loss Cable Using LMR-195 Coax, LF Solder PE3C0051LF](#)



SMA Male to BNC Male Low Loss Cable Using LMR-195 Coax, LF Solder

TECHNICAL DATA SHEET

PE3C0051LF

Cable

Cable Type	LMR-195
Impedance	50 Ohms
Inner Conductor Type	Solid
Inner Conductor Material and Plating	Copper
Dielectric Type	PE (F)
Number of Shields	2
Shield Layer 1	Aluminum Tape
Shield Layer 2	Tinned Copper Braid
Jacket Material	PE, Black
Jacket Diameter	0.195 in [4.95 mm]
One Time Minimum Bend Radius	0.5 in [12.7 mm]
Repeated Minimum Bend Radius	2 in [50.8 mm]
Bending Moment	0.2 lbs-ft [0.27 N-m]
Flat Plate Crush	15 lbs/in [0.27 Kg/mm]
Tensile Strength	40 lbs [18.14 Kg]

Connectors

Description	Connector 1	Connector 2
Type	SMA Male Threaded	BNC Male Bayonet
Specification	MIL-STD-348A	MIL-STD-348A
Impedance	50 Ohms	50 Ohms
Contact Material and Plating	Brass, Gold	Brass, Gold
Contact Plating Specification	50 µin minimum	30 µin minimum
Dielectric Type	PTFE	PTFE
Body Material and Plating	Brass, Nickel	Brass, Nickel
Body Plating Specification	100 µin minimum	90 µin minimum
Coupling Nut Material and Plating	Brass, Nickel	Brass, Nickel
Coupling Nut Plating Specification	100 µin minimum	
Hex Size	5/16 inch	
Torque	5 in-lbs [0.57 Nm]	

Environmental Specifications

Temperature

Operating Range -40 to +85 deg C

Click the following link (or enter part number in "SEARCH" on website) to obtain additional part information including price, inventory and certifications: [SMA Male to BNC Male Low Loss Cable Using LMR-195 Coax, LF Solder PE3C0051LF](#)



SMA Male to BNC Male Low Loss Cable
Using LMR-195 Coax, LF Solder

TECHNICAL DATA SHEET

PE3C0051LF

Compliance Certifications (see [product page](#) for current document)

Plotted and Other Data

Notes:

How to Order

Part Number Configuration:

PE3C0051LF - xx uu

Unit of Measure:
cm = Centimeters
<blank> = Inches
Length
Base Number

Example: PE3C0051LF-12 = 12 inches long cable
PE3C0051LF-100cm = 100 cm long cable

SMA Male to BNC Male Low Loss Cable Using LMR-195 Coax, LF Solder from Pasternack Enterprises has same day shipment for domestic and International orders. Our RF, microwave and millimeter wave products maintain a 99.4% availability and are part of the broadest selection in the industry.

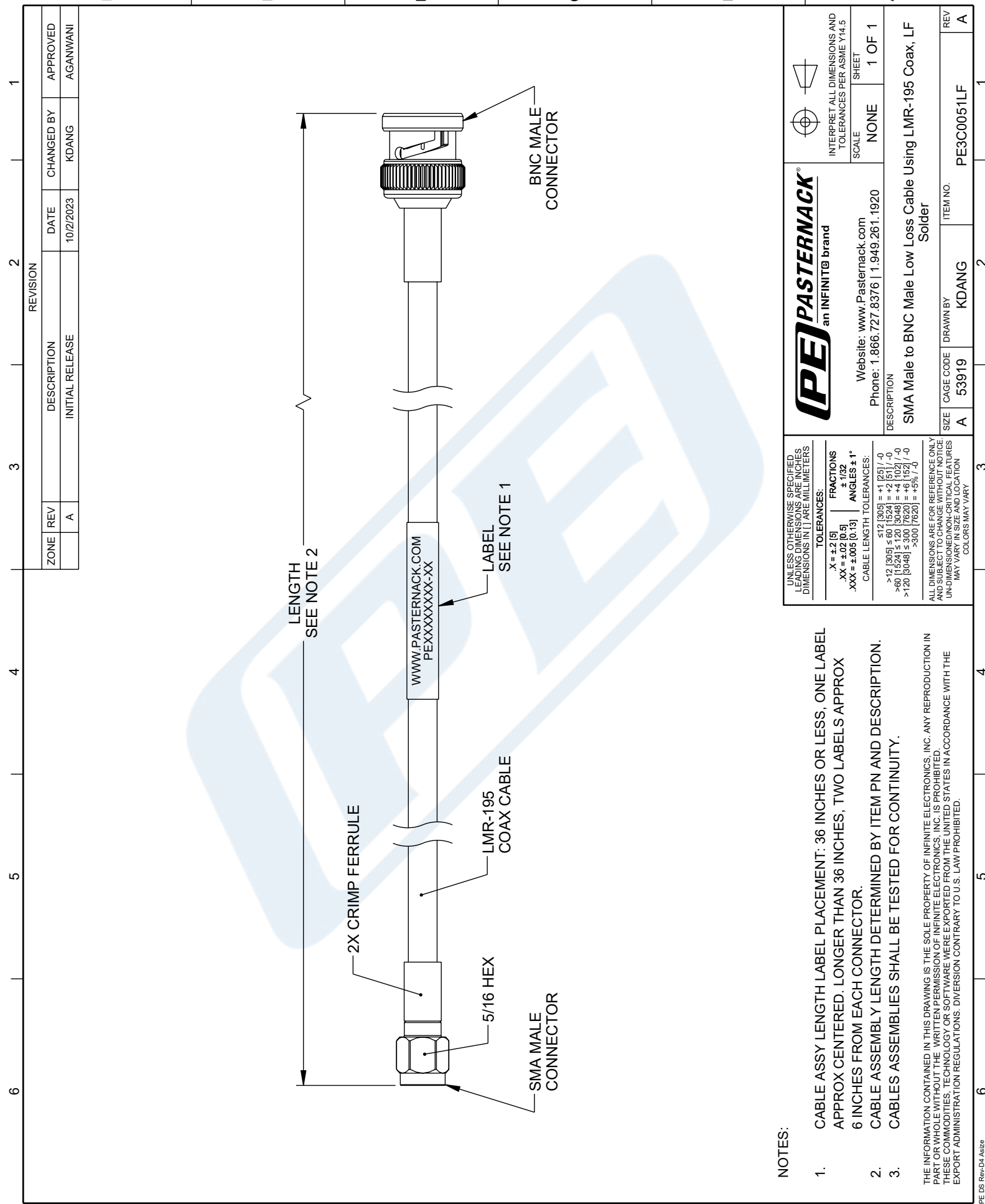
Click the following link (or enter part number in "SEARCH" on website) to obtain additional part information including price, inventory and certifications: [SMA Male to BNC Male Low Loss Cable Using LMR-195 Coax, LF Solder PE3C0051LF](#)

URL: <https://www.pasternack.com/sma-male-to-bnc-male-low-loss-cable-using-lmr-195-lf-solder-pe3c0051lf-p.aspx>

The information contained in this document is accurate to the best of our knowledge and representative of the part described herein. It may be necessary to make modifications to the part and/or the documentation of the part, in order to implement improvements. Pasternack reserves the right to make such changes as required. Unless otherwise stated, all specifications are nominal. Pasternack does not make any representation or warranty regarding the suitability of the part described herein for any particular purpose, and Pasternack does not assume any liability arising out of the use of any part or documentation.

PE3C0051LF CAD Drawing

SMA Male to BNC Male Low Loss Cable Using LMR-195 Coax, LF Solder



LENGTH
SEE NOTE 2

WWW.PASTERNAK.COM
PEXXXXXXX-XX

LABEL
SEE NOTE 1

2X CRIMP FERRULE

LMR-195
COAX CABLE

5/16 HEX

SMA MALE
CONNECTOR

BNC MALE
CONNECTOR

NOTES:

1. CABLE ASSY LENGTH LABEL PLACEMENT: 36 INCHES OR LESS, ONE LABEL APPROX CENTERED. LONGER THAN 36 INCHES, TWO LABELS APPROX 6 INCHES FROM EACH CONNECTOR.
2. CABLE ASSEMBLY LENGTH DETERMINED BY ITEM PN AND DESCRIPTION.
3. CABLES ASSEMBLIES SHALL BE TESTED FOR CONTINUITY.

THE INFORMATION CONTAINED IN THIS DRAWING IS THE SOLE PROPERTY OF INFINITE ELECTRONICS, INC. ANY REPRODUCTION IN PART OR WHOLE WITHOUT THE WRITTEN PERMISSION OF INFINITE ELECTRONICS, INC. IS PROHIBITED.
THESE COMMODITIES, TECHNOLOGY OR SOFTWARE WERE EXPORTED FROM THE UNITED STATES IN ACCORDANCE WITH THE EXPORT ADMINISTRATION REGULATIONS. DIVERSION CONTRARY TO U.S. LAW PROHIBITED.

UNLESS OTHERWISE SPECIFIED, LEADING DIMENSIONS ARE IN INCHES, DIMENSIONS IN [] ARE MILLIMETERS.	
TOLERANCES:	
.X = ± 2 [5]	FRACTIONS ± 1/32
.XX = ± 02 [0.5]	ANGLES ± 1°
.XXX = ± 005 [0.13]	
CABLE LENGTH TOLERANCES:	
<12 [305]	± 1 [25] / -0
>12 [305] ≤ 60 [1524]	± 2 [51] / -0
>60 [1524] ≤ 120 [3048]	± 4 [102] / -0
>120 [3048]	± 8 [203] / -0
>300 [7620]	± 16 [407] / -0
ALL DIMENSIONS ARE FOR REFERENCE ONLY AND SUBJECT TO CHANGE WITHOUT NOTICE UNLESS INDICATED OTHERWISE. UNLESS OTHERWISE SPECIFIED, DIMENSIONS MAY VARY.	
COLORS MAY VARY	



Website: www.Pasternack.com
Phone: 1.866.727.8376 | 1.949.261.1920

DESCRIPTION
SMA Male to BNC Male Low Loss Cable Using LMR-195 Coax, LF Solder

INTERPRET ALL DIMENSIONS AND TOLERANCES PER ASME Y14.5	SHEET 1 OF 1
SCALE NONE	

SIZE A	CABLE CODE 53919	DRAWN BY KDANG	ITEM NO. PE3C0051LF	REV A
--------	------------------	----------------	---------------------	-------

REVISION				
ZONE	REV	DESCRIPTION	DATE	CHANGED BY
	A	INITIAL RELEASE	10/2/2023	KDANG
				AGANWANI