



TNC Male to TNC Male With Times Connectors
Cable 24 Inch Length Using LMR-195 Coax

RF Cable Assemblies Technical Data Sheet

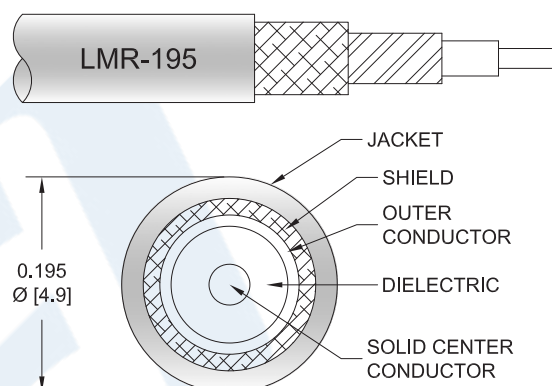
PE3C0117-24

Configuration

- Connector 1: TNC Male
- Connector 2: TNC Male
- Cable Type: LMR-195

Features

- Shielding Effectivity > 90 dB
- 80% Phase Velocity
- Double Shielded
- PE Jacket



Applications

- General Purpose
- Laboratory Use

Description

Pasternack's PE3C0117-24 TNC male to TNC male 24 inch cable using LMR-195 coax is part of our full line of RF components available for same-day shipping. Pasternack's flexible RF cable assemblies are ideal for applications where tight bends and flexure are required. This Pasternack TNC to TNC cable assembly has a male to male gender configuration with 50 ohm flexible LMR-195 coax. The double shielding of this Pasternack cable assembly provides excellent shielding effectiveness of better than 90 dB.

Custom versions of most RF cable assemblies can be built and shipped same day. Custom cable assembly lengths can be obtained by specifying the desired length on the web site at time of order or by contacting a sales representative. Other available RF cable assembly value added services include connector orientation or clocking, heat shrink booting and custom labeling. RF testing can also be performed to document the electrical performance of your cable assembly.

Electrical Specifications

| Description | Minimum | Typical | Maximum | Units |
|-------------------------------|---------|--------------|---------|-----------------|
| Velocity of Propagation | | 80 | | % |
| RF Shielding | 90 | | | dB |
| Group Delay | | 1.27 [4.17] | | ns/ft [ns/m] |
| Capacitance | | 25.4 [83.33] | | pF/ft [pF/m] |
| Inductance | | 0.064 [0.21] | | uH/ft [uH/m] |
| DC Resistance Inner Conductor | | 7.6 [24.93] | | Ω/1000ft [Ω/Km] |
| DC Resistance Outer Conductor | | 4.9 [16.08] | | Ω/1000ft [Ω/Km] |
| Jacket Spark | | | 3,000 | Vrms |

Click the following link (or enter part number in "SEARCH" on website) to obtain additional part information including price, inventory and certifications: [TNC Male to TNC Male With Times Connectors Cable 24 Inch Length Using LMR-195 Coax PE3C0117-24](#)



TNC Male to TNC Male With Times Connectors
Cable 24 Inch Length Using LMR-195 Coax

RF Cable Assemblies Technical Data Sheet

PE3C0117-24

Mechanical Specifications

Cable Assembly

| | |
|----------|---------------------|
| Length* | 24 in [609.6 mm] |
| Diameter | 0.6 in [15.24 mm] |
| Weight | 0.164 lbs [74.39 g] |

Cable

| | |
|--------------------------------------|---------------------|
| Cable Type | LMR-195 |
| Impedance | 50 Ohms |
| Inner Conductor Type | Solid |
| Inner Conductor Material and Plating | Copper |
| Dielectric Type | PE (F) |
| Number of Shields | 2 |
| Shield Layer 1 | Aluminum Tape |
| Shield Layer 2 | Tinned Copper Braid |
| Jacket Material | PE, Black |
| Jacket Diameter | 0.195 in [4.95 mm] |

| | |
|------------------------------|------------------------|
| One Time Minimum Bend Radius | 0.5 in [12.7 mm] |
| Repeated Minimum Bend Radius | 2 in [50.8 mm] |
| Bending Moment | 0.2 lbs-ft [0.27 N-m] |
| Flat Plate Crush | 15 lbs/in [0.27 Kg/mm] |
| Tensile Strength | 40 lbs [18.14 Kg] |

Connectors

| Description | Connector 1 | Connector 2 |
|-----------------------------------|------------------------|------------------------|
| Type | TNC Male | TNC Male |
| Impedance | 50 Ohms | 50 Ohms |
| Contact Material and Plating | Beryllium Copper, Gold | Beryllium Copper, Gold |
| Dielectric Type | Teflon | Teflon |
| Body Material and Plating | Brass, Silver | Brass, Silver |
| Coupling Nut Material and Plating | Brass, Silver | Brass, Silver |

Compliance Certifications (see [product page](#) for current document)

Plotted and Other Data

Notes:

- Values at 25°C, sea level.

Click the following link (or enter part number in "SEARCH" on website) to obtain additional part information including price, inventory and certifications: [TNC Male to TNC Male With Times Connectors Cable 24 Inch Length Using LMR-195 Coax PE3C0117-24](#)



TNC Male to TNC Male With Times Connectors
Cable 24 Inch Length Using LMR-195 Coax

RF Cable Assemblies Technical Data Sheet

PE3C0117-24

How to Order

Part Number Configuration:

PE3C0117

- xx

uu

Unit of Measure:
cm = Centimeters
<blank> = Inches
Length
Base Number

Example: PE3C0117-12 = 12 inches long cable
PE3C0117-100cm = 100 cm long cable

TNC Male to TNC Male With Times Connectors Cable 24 Inch Length Using LMR-195 Coax from Pasternack Enterprises has same day shipment for domestic and International orders. Our RF, microwave and millimeter wave products maintain a 99.4% availability and are part of the broadest selection in the industry.

Click the following link (or enter part number in "SEARCH" on website) to obtain additional part information including price, inventory and certifications: [TNC Male to TNC Male With Times Connectors Cable 24 Inch Length Using LMR-195 Coax PE3C0117-24](https://www.pasternack.com/tnc-male-tnc-male-lmr195-cable-assembly-pe3c0117-24-p.aspx)

URL: <https://www.pasternack.com/tnc-male-tnc-male-lmr195-cable-assembly-pe3c0117-24-p.aspx>

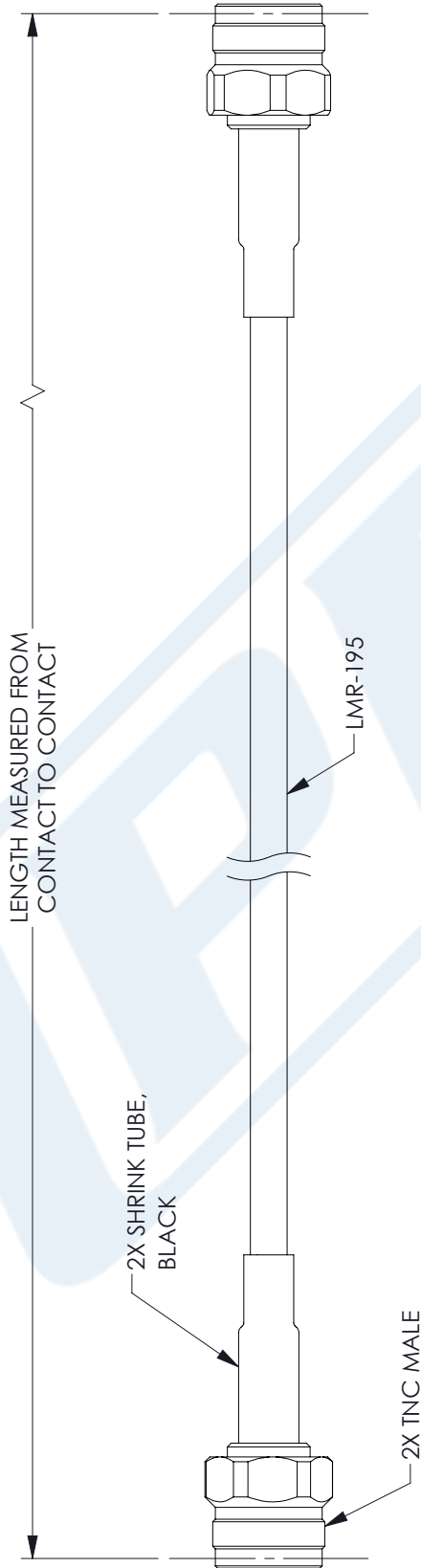
The information contained in this document is accurate to the best of our knowledge and representative of the part described herein. It may be necessary to make modifications to the part and/or the documentation of the part, in order to implement improvements. Pasternack reserves the right to make such changes as required. Unless otherwise stated, all specifications are nominal. Pasternack does not make any representation or warranty regarding the suitability of the part described herein for any particular purpose, and Pasternack does not assume any liability arising out of the use of any part or documentation.

PE3C0117-24 CAD Drawing

TNC Male to TNC Male With Times Connectors Cable

24 Inch Length Using LMR-195 Coax

| REVISIONS | | |
|-----------|-----------------------|-------------------------|
| REV. | DESCRIPTION | DATE |
| B | UPDATE COMPONENT VIEW | 8/10/2021 |
| | | APPROVED ABUENROSTRO |



UNLESS OTHERWISE SPECIFIED LEADING DIMENSIONS ARE INCHES DIMENSIONS IN [] ARE MILLIMETERS

TOLERANCES:

| | | |
|--------------|--------|-------------|
| .X = ±.2 | [5.08] | FRACTIONS |
| .XX = ±.02 | [.51] | ±.1/32 |
| .XXX = ±.005 | [.13] | ANGLES ± 1° |

CABLE LENGTH (L) TOLERANCES:

| | | |
|----------------------|--------|-----------------|
| L ≤ 12 | [305] | = +1 [25] / -0 |
| 12 [305] < L ≤ 60 | [1524] | = +2 [51] / -0 |
| 60 [1524] < L ≤ 120 | [3048] | = +4 [102] / -0 |
| 120 [3048] < L ≤ 300 | [7620] | = +6 [152] / -0 |
| 300 [7620] < L = | +5% | / -0 |

ALL DIMENSIONS SHOWN ARE FOR REFERENCE ONLY.

PASTERNAK
an INFINITI® brand

Pasternack Enterprises, Inc.
P. O. Box 16759, Irvine, CA 92623.
Phone: 1.949.261.1920 | 1.866.727.8376
Fax: 1.949.261.7451
Website: www.pasternack.com
E-mail: sales@pasternack.com

| | | | |
|------|-----------|----------|----------|
| SIZE | CAGE CODE | DRAWN BY | ITEM NO. |
| A | 53919 | DMAY | PE3C0117 |

THIRD-ANGLE PROJECTION

THE INFORMATION AND DESIGN IN THIS DOCUMENT IS THE PROPERTY OF PASTERNAK CORPORATION ALL RIGHTS RESERVED.

| | | | |
|-------|-----|----|---|
| SHEET | 1 | OF | 1 |
| SCALE | N/A | | |

| | |
|-----|---|
| REV | B |
|-----|---|