



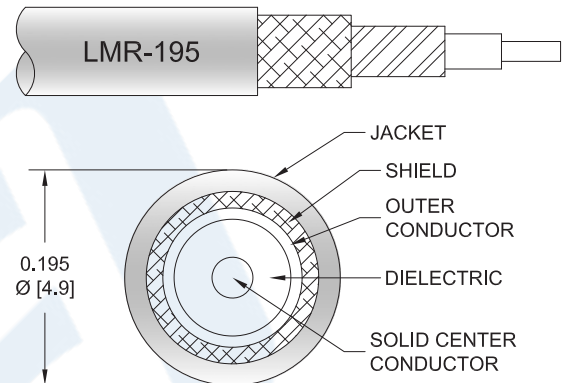
N Male to N Male Right Angle with Times Connectors
Cable 60 Inch Length Using LMR-195 Coax

RF Cable Assemblies Technical Data Sheet

PE3C0120-60

Configuration

- Connector 1: N Male
- Connector 2: N Male Right Angle
- Cable Type: LMR-195



Electrical Specifications

Description	Minimum	Typical	Maximum	Units
Frequency Range	DC		5.8	GHz
VSWR			1.5:1	
Velocity of Propagation		80		%
RF Shielding	90			dB
Group Delay		1.27 [4.17]		ns/ft [ns/m]
Capacitance		25.4 [83.33]		pF/ft [pF/m]
Inductance		0.064 [0.21]		uH/ft [uH/m]
DC Resistance Inner Conductor		7.6 [24.93]		Ω/1000ft [Ω/Km]
DC Resistance Outer Conductor		4.9 [16.08]		Ω/1000ft [Ω/Km]
Jacket Spark			3,000	Vrms

Specifications by Frequency

Description	F1	F2	F3	F4	F5	Units
Frequency	0.25	0.5	1	2.5	5.8	GHz
Insertion Loss (Max.)	0.54	0.59	0.84	1.19	1.74	dB

Mechanical Specifications

Cable Assembly

Length 60 in [152.4 cm]

Click the following link (or enter part number in "SEARCH" on website) to obtain additional part information including price, inventory and certifications: [N Male to N Male Right Angle with Times Connectors Cable 60 Inch Length Using LMR-195 Coax PE3C0120-60](#)



N Male to N Male Right Angle with Times Connectors Cable 60 Inch Length Using LMR-195 Coax

RF Cable Assemblies Technical Data Sheet

PE3C0120-60

Diameter	0.8 in [20.32 mm]
Weight	0.201 lbs [91.17 g]
Cable	
Cable Type	LMR-195
Impedance	50 Ohms
Inner Conductor Type	Solid
Inner Conductor Material and Plating	Copper
Dielectric Type	PE (F)
Number of Shields	2
Shield Layer 1	Aluminum Tape
Shield Layer 2	Tinned Copper Braid
Jacket Material	PE, Black
Jacket Diameter	0.195 in [4.95 mm]
One Time Minimum Bend Radius	0.5 in [12.7 mm]
Repeated Minimum Bend Radius	2 in [50.8 mm]
Bending Moment	0.2 lbs-ft [0.27 N-m]
Flat Plate Crush	15 lbs/in [0.27 Kg/mm]
Tensile Strength	40 lbs [18.14 Kg]

Connectors

Description	Connector 1	Connector 2
Type	N Male	N Male Right Angle
Impedance	50 Ohms	50 Ohms
Mating Cycles		500
Contact Material and Plating	Brass, Gold	Brass, Gold
Contact Plating Specification		50µ in. minimum
Dielectric Type	Teflon	Teflon
Coupling Nut Material and Plating	Brass, Silver	Brass, Tri-Metal
Coupling Nut Plating Specification		80µ in. minimum
Body Material and Plating	Brass, Silver	Brass, Tri-Metal
Body Plating Specification		80µ in. minimum

Compliance Certifications (visit www.Pasternack.com for current document)

For RoHS Compliant version, use PE3c0120LF-60. Contact Pasternack if product cannot be found.

Plotted and Other Data

Notes:

- Values at 25°C, sea level.

Click the following link (or enter part number in "SEARCH" on website) to obtain additional part information including price, inventory and certifications: [N Male to N Male Right Angle with Times Connectors Cable 60 Inch Length Using LMR-195 Coax PE3C0120-60](#)



N Male to N Male Right Angle with Times Connectors
Cable 60 Inch Length Using LMR-195 Coax

RF Cable Assemblies Technical Data Sheet

PE3C0120-60

How to Order

Part Number Configuration:

PE3C0120

- **xx**

uu

Unit of Measure:
cm = Centimeters
<blank> = Inches
Length
Base Number

Example: PE3C0120-12 = 12 inches long cable
PE3C0120-100cm = 100 cm long cable

N Male to N Male Right Angle with Times Connectors Cable 60 Inch Length Using LMR-195 Coax from Pasternack Enterprises has same day shipment for domestic and International orders. Our RF, microwave and millimeter wave products maintain a 99% availability and are part of the broadest selection in the industry.

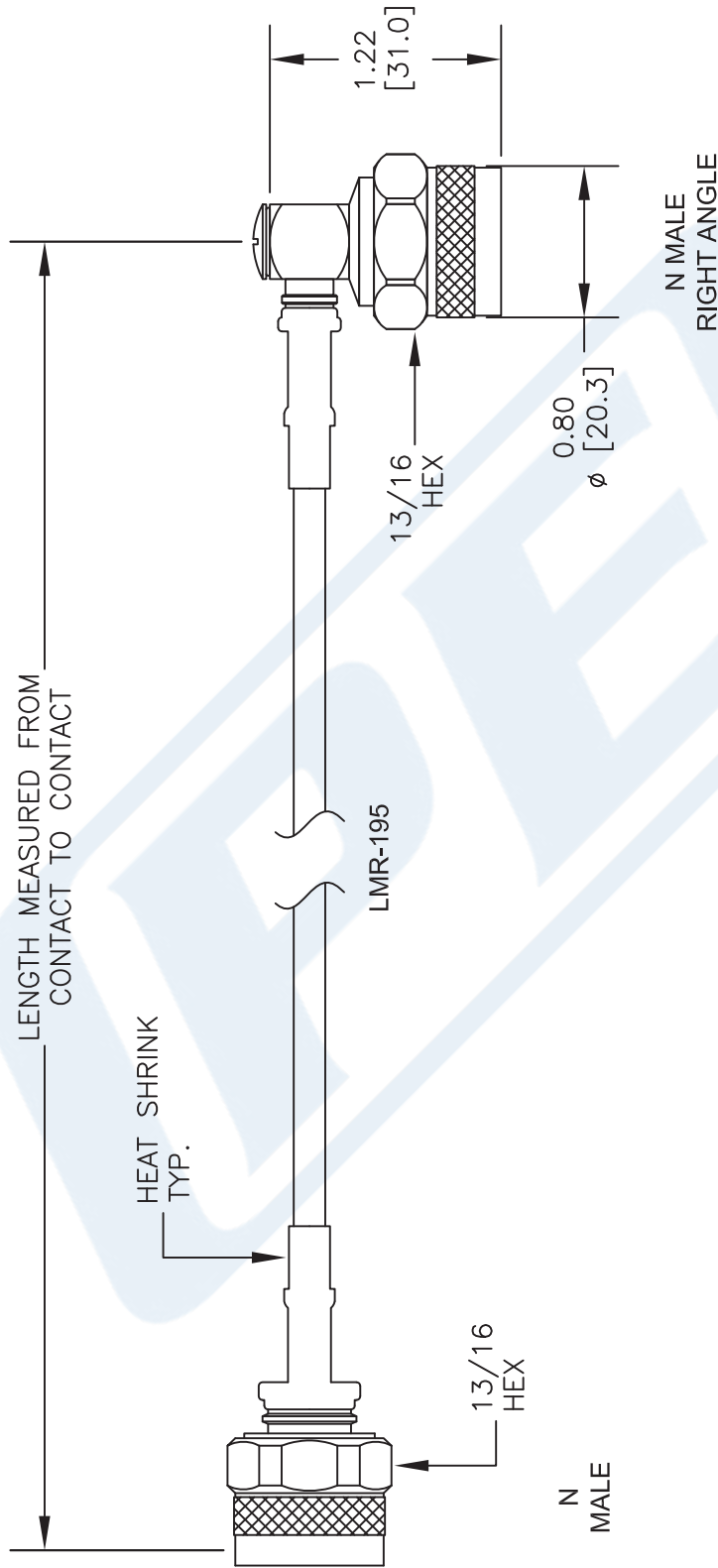
Click the following link (or enter part number in "SEARCH" on website) to obtain additional part information including price, inventory and certifications: [N Male to N Male Right Angle with Times Connectors Cable 60 Inch Length Using LMR-195 Coax PE3C0120-60](http://www.pasternack.com/n-male-n-male-lmr195-cable-assembly-pe3c0120-60-p.aspx)

URL: <http://www.pasternack.com/n-male-n-male-lmr195-cable-assembly-pe3c0120-60-p.aspx>

The information contained in this document is accurate to the best of our knowledge and representative of the part described herein. It may be necessary to make modifications to the part and/or the documentation of the part, in order to implement improvements. Pasternack reserves the right to make such changes as required. Unless otherwise stated, all specifications are nominal. Pasternack does not make any representation or warranty regarding the suitability of the part described herein for any particular purpose, and Pasternack does not assume any liability arising out of the use of any part or documentation.

PE3C0120-60 CAD Drawing

N Male to N Male Right Angle with Times Connectors
Cable 60 Inch Length Using LMR-195 Coax



- NOTES:
1. UNLESS OTHERWISE SPECIFIED ALL DIMENSIONS ARE NOMINAL.
 2. ALL SPECIFICATIONS ARE SUBJECT TO CHANGE WITHOUT NOTICE AT ANY TIME.
 3. DIMENSIONS ARE IN INCHES (mm).
 4. LENGTH TOLERANCE IS $\pm 1.5\%$ OR $3/8"$, WHICHEVER IS GREATER.

DWG TITLE
PE3C0120

FSCM NO. 53919

CAD FILE 050216

SCALE N/A

SIZE A

2233

(PE) PASTERNAK®
THE ENGINEER'S RF SOURCE
Pasternack Enterprises, Inc.
P.O. Box 16759 | Irvine | CA | 92623
Phone: (949) 261-1920 | Fax: (949) 261-7451
Website: www.pasternack.com | E-Mail: sales@pasternack.com