



SMA Male to SMA Male Low Loss Cable Using LMR-240-UF Coax with Times Microwave Components with HeatShrink

TECHNICAL DATA SHEET

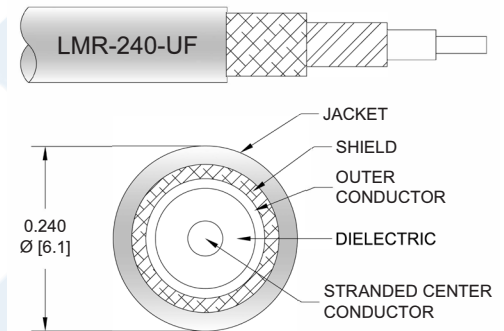
PE3C0861/HS

Configuration

- Connector 1: SMA Male
- Connector 2: SMA Male
- Cable Type: LMR-240-UF
- Coax Flex Type: Flexible

Features

- Shielding Effectivity > 90 dB
- 84% Phase Velocity
- Double Shielded
- TPE Jacket



Applications

- General Purpose
- Laboratory Use

Description

Pasternack's PE3C0861/HS SMA male to SMA male cable using LMR-240-UF coax is part of our full line of RF components available for same-day shipping. Pasternack's flexible RF cable assemblies are ideal for applications where tight bends and flexure are required. This Pasternack SMA to SMA cable assembly has a male to male gender configuration with 50 ohm flexible LMR-240-UF coax. The double shielding of this Pasternack cable assembly provides excellent shielding effectiveness of better than 90 dB.

Custom versions of most RF cable assemblies can be built and shipped same day. Custom cable assembly lengths can be obtained by specifying the desired length on the web site at time of order or by contacting a sales representative. Other available RF cable assembly value added services include connector orientation or clocking, heat shrink booting and custom labeling. RF testing can also be performed to document the electrical performance of your cable assembly.

Click the following link (or enter part number in "SEARCH" on website) to obtain additional part information including price, inventory and certifications: [SMA Male to SMA Male Low Loss Cable Using LMR-240-UF Coax with Times Microwave Components with HeatShrink PE3C0861/HS](#)



SMA Male to SMA Male Low Loss Cable Using LMR-240-UF Coax with Times Microwave Components with HeatShrink

TECHNICAL DATA SHEET

PE3C0861/HS

Electrical Specifications

Description	Minimum	Typical	Maximum	Units
Velocity of Propagation		84		%
RF Shielding	90			dB
Group Delay		1.21 [3.97]		ns/ft [ns/m]
Capacitance		24.2 [79.4]		pF/ft [pF/m]
Inductance		0.06 [0.2]		uH/ft [uH/m]
DC Resistance Inner Conductor		4.28 [14.04]		Ω /1000ft [Ω /Km]
DC Resistance Outer Conductor		3.89 [12.76]		Ω /1000ft [Ω /Km]
Jacket Spark			5,000	Vrms

Mechanical Specifications

Cable Assembly

Weight 0.074 lbs [33.57 g]

Cable

Cable Type LMR-240-UF
 Impedance 50 Ohms
 Inner Conductor Type Stranded
 Inner Conductor Material and Plating Copper
 Dielectric Type PE (F)
 Number of Shields 2
 Shield Layer 1 Aluminum Tape
 Shield Layer 2 Tinned Copper Braid
 Jacket Material TPE, Black
 Jacket Diameter 0.24 in [6.1 mm]

One Time Minimum Bend Radius 0.75 in [19.05 mm]
 Repeated Minimum Bend Radius 2.5 in [63.5 mm]
 Bending Moment 0.13 lbs-ft [0.18 N-m]
 Flat Plate Crush 13 lbs/in [0.23 Kg/mm]
 Tensile Strength 80 lbs [36.29 Kg]

Click the following link (or enter part number in "SEARCH" on website) to obtain additional part information including price, inventory and certifications: [SMA Male to SMA Male Low Loss Cable Using LMR-240-UF Coax with Times Microwave Components with HeatShrink PE3C0861/HS](#)



SMA Male to SMA Male Low Loss Cable Using LMR-240-UF
Coax with Times Microwave Components with HeatShrink

TECHNICAL DATA SHEET

PE3C0861/HS

Connectors

Description	Connector 1	Connector 2
Type	SMA Male Threaded	SMA Male Threaded
Specification	MIL-STD-348	MIL-STD-348
Impedance	50 Ohms	50 Ohms
Contact Material and Plating	Beryllium Copper, Gold	Beryllium Copper, Gold
Contact Plating Specification	ASTM B488	ASTM B488
Dielectric Type	Teflon	Teflon
Body Material and Plating	Passivated Stainless Steel	Passivated Stainless Steel
Body Plating Specification	SAE-AMS-2700	SAE-AMS-2700
Coupling Nut Material and Plating	Passivated Stainless Steel	Passivated Stainless Steel
Coupling Nut Plating Specification	SAE-AMS-2700	SAE-AMS-2700

Compliance Certifications (see [product page](#) for current document)

Plotted and Other Data

Notes:

Click the following link (or enter part number in "SEARCH" on website) to obtain additional part information including price, inventory and certifications: [SMA Male to SMA Male Low Loss Cable Using LMR-240-UF Coax with Times Microwave Components with HeatShrink PE3C0861/HS](#)



SMA Male to SMA Male Low Loss Cable Using LMR-240-UF Coax with Times Microwave Components with HeatShrink

TECHNICAL DATA SHEET

PE3C0861/HS

How to Order

Part Number Configuration:

PE3C0861/HS - xx uu

Unit of Measure:
cm = Centimeters
<blank> = Inches
Length
Base Number

Example: PE3C0861/HS-12 = 12 inches long cable
PE3C0861/HS-100cm = 100 cm long cable

SMA Male to SMA Male Low Loss Cable Using LMR-240-UF Coax with Times Microwave Components with HeatShrink from Pasternack Enterprises has same day shipment for domestic and International orders. Our RF, microwave and millimeter wave products maintain a 99.4% availability and are part of the broadest selection in the industry.

Click the following link (or enter part number in "SEARCH" on website) to obtain additional part information including price, inventory and certifications: [SMA Male to SMA Male Low Loss Cable Using LMR-240-UF Coax with Times Microwave Components with HeatShrink PE3C0861/HS](#)

URL: <https://www.pasternack.com/sma-male-to-sma-male-low-loss-cable-using-lmr-240-uf-with-heatshrink-pe3c0861-hs-p.aspx>

The information contained in this document is accurate to the best of our knowledge and representative of the part described herein. It may be necessary to make modifications to the part and/or the documentation of the part, in order to implement improvements. Pasternack reserves the right to make such changes as required. Unless otherwise stated, all specifications are nominal. Pasternack does not make any representation or warranty regarding the suitability of the part described herein for any particular purpose, and Pasternack does not assume any liability arising out of the use of any part or documentation.

PE3C0861/HS CAD Drawing

SMA Male to SMA Male Low Loss Cable Using LMR-240-UF Coax with Times Microwave Components with HeatShrink

F E D C B A

1

2

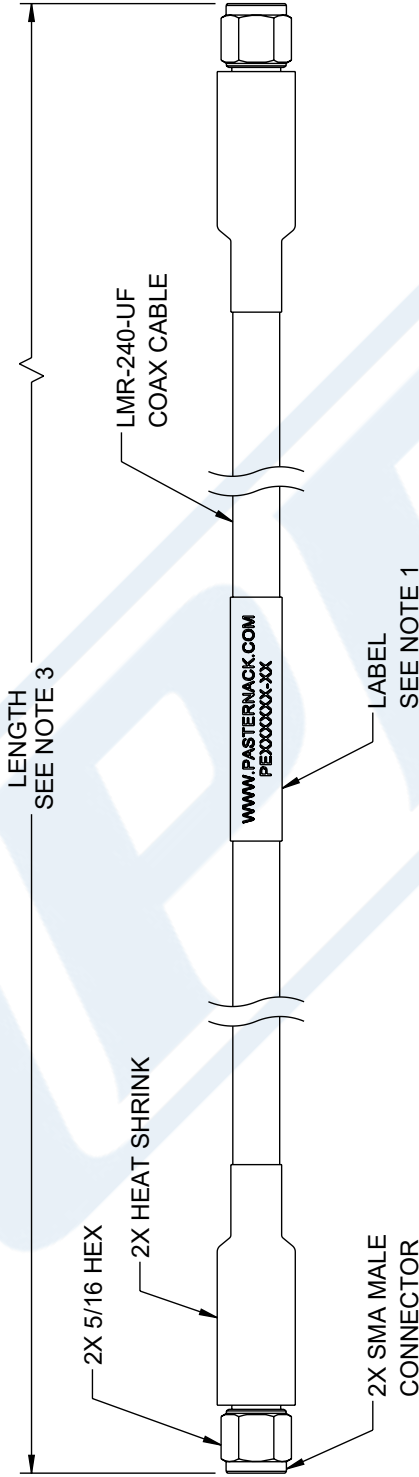
3

4

5

6

ZONE		REV	DESCRIPTION	DATE	CHANGED BY	APPROVED
	A		INITIAL RELEASE	10/09/2023	HBAKKE	AGANWANI



NOTES:

- CABLE ASSEMBLY LENGTH LABEL PLACEMENT:
36 INCHES OR LESS, ONE LABEL APPROXIMATELY CENTERED,
LONGER THAN 36 INCHES, TWO LABELS APPROXIMATELY 6
INCHES FROM EACH CONNECTOR.
- CABLE ASSEMBLIES SHALL BE TESTED FOR CONTINUITY.
- CABLE ASSEMBLY LENGTH DETERMINED BY ITEM PN AND
DESCRIPTION.

THE INFORMATION CONTAINED IN THIS DRAWING IS THE SOLE PROPERTY OF INFINITE ELECTRONICS, INC. ANY REPRODUCTION IN PART OR WHOLE WITHOUT THE WRITTEN PERMISSION OF INFINITE ELECTRONICS, INC. IS PROHIBITED. THESE COMMODITIES, TECHNOLOGY OR SOFTWARE WERE EXPORTED FROM THE UNITED STATES IN ACCORDANCE WITH THE EXPORT ADMINISTRATION REGULATIONS. DIVERSION CONTRARY TO U.S. LAW PROHIBITED.

UNLESS OTHERWISE SPECIFIED LENGTHS AND DIMENSIONS ARE IN INCHES DIMENSIONS IN PARENTHESES ARE IN MILLIMETERS	
X = ±.2 [5]	FRACTIONS ±.1/32
XX = ±.02 [0.5]	ANGLES ± 1°
XXX = ±.005 [0.13]	
CABLE LENGTH TOLERANCES:	
>12 [305] ≤ 517 [1304]	±.1 [2.5] / -0
>60 [1524] ≤ 120 [3048]	±.2 [5.0] / -0
>120 [3048] ≤ 300 [7620]	±.4 [10.2] / -0
>300 [7620]	±.8 [20.3] / -0

ALL DIMENSIONS ARE FOR REFERENCE ONLY
UNLESS OTHERWISE SPECIFIED
DIMENSIONS ON CRITICAL FEATURES
MAY VARY IN SIZE AND LOCATION
COLORS MAY VARY



Website: www.Pasternack.com
Phone: 1.866.727.8376 | 1.949.261.1920

INTERPRET ALL DIMENSIONS AND TOLERANCES PER ASME Y14.5
SCALE NONE
SHEET 1 OF 1

DESCRIPTION
SMA MALE TO SMA MALE LOW LOSS CABLE USING LMR-240-UF
COAX WITH TIMES MICROWAVE COMPONENTS WITH
HEATSHRINK

SIZE A	CAGE CODE 53919	DRAWN BY HBAKKE	ITEM NO. PE3C0861/HS	REV A
--------	-----------------	-----------------	----------------------	-------

F E D C B A