



Reverse Polarity SMA Plug Right Angle to
Reverse Polarity SMA Jack Bulkhead Low Loss Cable
Using LMR-195 Coax with HeatShrink

TECHNICAL DATA SHEET

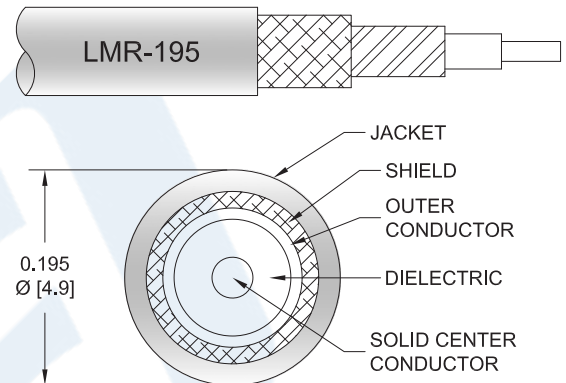
PE3C1103/HS

Configuration

- Connector 1: SMA Plug RP Right Angle
- Connector 2: SMA Jack RP Bulkhead
- Cable Type: LMR-195
- Coax Flex Type: Flexible

Features

- Shielding Effectivity > 90 dB
- 80% Phase Velocity
- Double Shielded
- PE Jacket



Applications

- General Purpose
- Laboratory Use

Description

Pasternack's PE3C1103/HS rp SMA plug right angle to rp SMA jack bulkhead cable using LMR-195 coax is part of our full line of RF components available for same-day shipping. Pasternack's flexible RF cable assemblies are ideal for applications where tight bends and flexure are required. This Pasternack rp SMA to rp SMA cable assembly has a plug to jack gender configuration with 50 ohm flexible LMR-195 coax. The right angle SMA interface on the LMR-195 cable allows for easier connections in tight spaces. Our RF cable assembly with SMA bulkhead interface allows designers to create external connections on their product enclosures, and can be used in a variety of other rack mount and panel mount applications. The double shielding of this Pasternack cable assembly provides excellent shielding effectiveness of better than 90 dB.

Custom versions of most RF cable assemblies can be built and shipped same day. Custom cable assembly lengths can be obtained by specifying the desired length on the web site at time of order or by contacting a sales representative. Other available RF cable assembly value added services include connector orientation or clocking, heat shrink booting and custom labeling. RF testing can also be performed to document the electrical performance of your cable assembly.

Click the following link (or enter part number in "SEARCH" on website) to obtain additional part information including price, inventory and certifications: [Reverse Polarity SMA Plug Right Angle to Reverse Polarity SMA Jack Bulkhead Low Loss Cable Using LMR-195 Coax with HeatShrink PE3C1103/HS](#)



Reverse Polarity SMA Plug Right Angle to
Reverse Polarity SMA Jack Bulkhead Low Loss Cable
Using LMR-195 Coax with HeatShrink

TECHNICAL DATA SHEET

PE3C1103/HS

Electrical Specifications

Description	Minimum	Typical	Maximum	Units
Velocity of Propagation		80		%
RF Shielding	90			dB
Group Delay		1.27 [4.17]		ns/ft [ns/m]
Capacitance		25.4 [83.33]		pF/ft [pF/m]
Inductance		0.064 [0.21]		uH/ft [uH/m]
DC Resistance Inner Conductor		7.6 [24.93]		Ω /1000ft [Ω /Km]
DC Resistance Outer Conductor		4.9 [16.08]		Ω /1000ft [Ω /Km]
Jacket Spark			3,000	Vrms

Mechanical Specifications

Cable Assembly

Weight 0.048 lbs [21.77 g]

Cable

Cable Type LMR-195
 Impedance 50 Ohms
 Inner Conductor Type Solid
 Inner Conductor Material and Plating Copper
 Dielectric Type PE (F)
 Number of Shields 2
 Shield Layer 1 Aluminum Tape
 Shield Layer 2 Tinned Copper Braid
 Jacket Material PE, Black
 Jacket Diameter 0.195 in [4.95 mm]

One Time Minimum Bend Radius 0.5 in [12.7 mm]
 Repeated Minimum Bend Radius 2 in [50.8 mm]
 Bending Moment 0.2 lbs-ft [0.27 N-m]
 Flat Plate Crush 15 lbs/in [0.27 Kg/mm]
 Tensile Strength 40 lbs [18.14 Kg]

Click the following link (or enter part number in "SEARCH" on website) to obtain additional part information including price, inventory and certifications: [Reverse Polarity SMA Plug Right Angle to Reverse Polarity SMA Jack Bulkhead Low Loss Cable Using LMR-195 Coax with HeatShrink PE3C1103/HS](#)



Reverse Polarity SMA Plug Right Angle to
Reverse Polarity SMA Jack Bulkhead Low Loss Cable
Using LMR-195 Coax with HeatShrink

TECHNICAL DATA SHEET

PE3C1103/HS

Connectors

Description	Connector 1	Connector 2
Type	SMA Plug RP Right Angle Threaded	SMA Jack RP Bulkhead Threaded
Impedance	50 Ohms	50 Ohms
Contact Material and Plating	Beryllium Copper, Gold	
Dielectric Type	PTFE	
Body Material and Plating	Brass, Nickel	Brass, Nickel
Coupling Nut Material and Plating	Brass, Nickel	
Hex Size	5/16 in	
Torque	5 in-lbs [0.57 Nm]	

Compliance Certifications (see [product page](#) for current document)

Plotted and Other Data

Notes:

Click the following link (or enter part number in "SEARCH" on website) to obtain additional part information including price, inventory and certifications: [Reverse Polarity SMA Plug Right Angle to Reverse Polarity SMA Jack Bulkhead Low Loss Cable Using LMR-195 Coax with HeatShrink PE3C1103/HS](#)



Reverse Polarity SMA Plug Right Angle to
Reverse Polarity SMA Jack Bulkhead Low Loss Cable
Using LMR-195 Coax with HeatShrink

TECHNICAL DATA SHEET

PE3C1103/HS

How to Order

Part Number Configuration:

PE3C1103/HS - xx uu

Unit of Measure:
cm = Centimeters
<blank> = Inches
Length
Base Number

Example: PE3C1103/HS-12 = 12 inches long cable
PE3C1103/HS-100cm = 100 cm long cable

Reverse Polarity SMA Plug Right Angle to Reverse Polarity SMA Jack Bulkhead Low Loss Cable Using LMR-195 Coax with HeatShrink from Pasternack Enterprises has same day shipment for domestic and International orders. Our RF, microwave and millimeter wave products maintain a 99.4% availability and are part of the broadest selection in the industry.

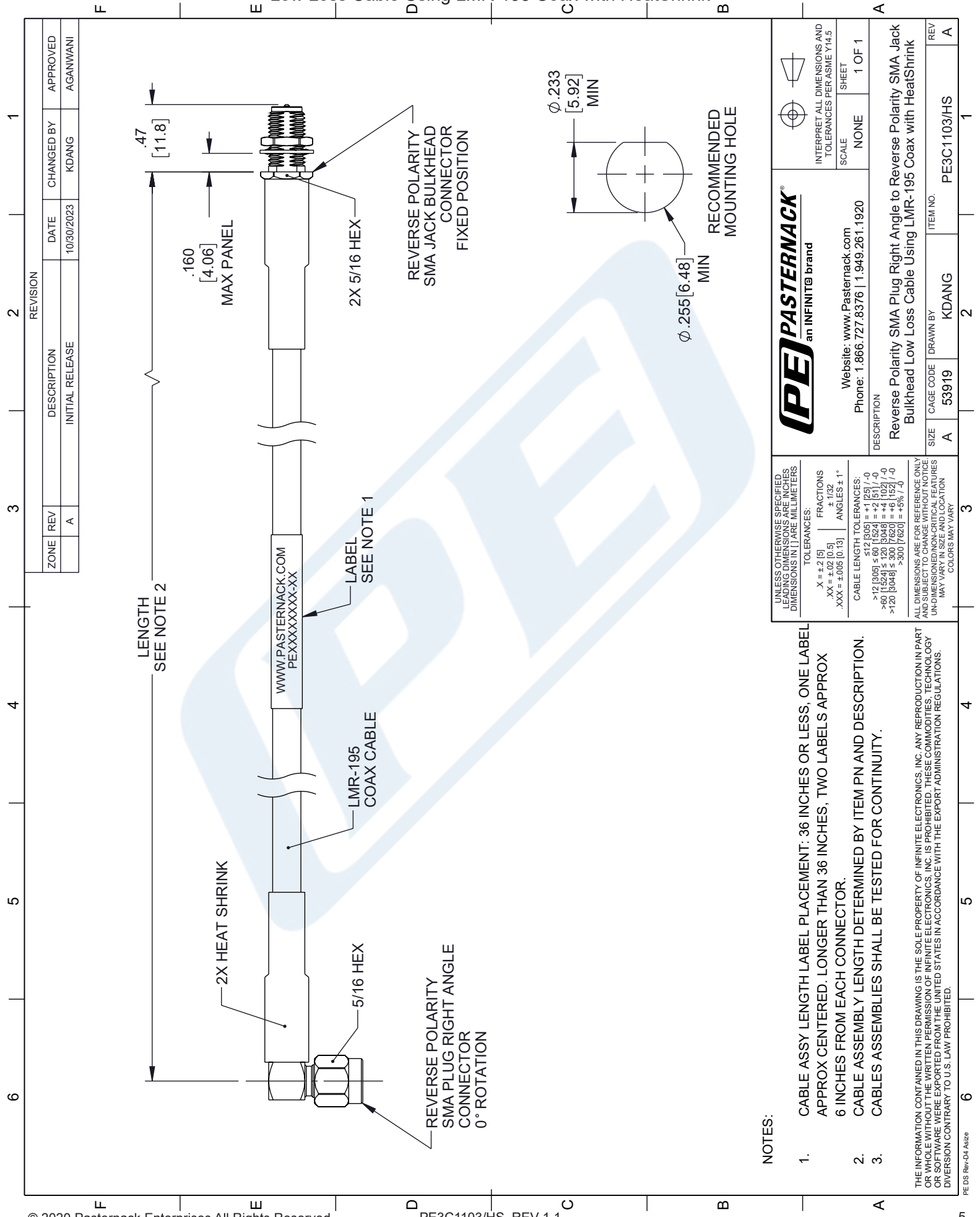
Click the following link (or enter part number in "SEARCH" on website) to obtain additional part information including price, inventory and certifications: [Reverse Polarity SMA Plug Right Angle to Reverse Polarity SMA Jack Bulkhead Low Loss Cable Using LMR-195 Coax with HeatShrink PE3C1103/HS](https://www.pasternack.com/reverse-polarity-sma-plug-right-angle-to-reverse-polarity-sma-jack-bulkhead-low-loss-cable-using-lmr-195-with-heatshrink-pe3c1103-hs)

URL: <https://www.pasternack.com/reverse-polarity-sma-plug-right-angle-to-reverse-polarity-sma-jack-bulkhead-low-loss-cable-using-lmr-195-with-heatshrink-pe3c1103-hs-p.aspx>

The information contained in this document is accurate to the best of our knowledge and representative of the part described herein. It may be necessary to make modifications to the part and/or the documentation of the part, in order to implement improvements. Pasternack reserves the right to make such changes as required. Unless otherwise stated, all specifications are nominal. Pasternack does not make any representation or warranty regarding the suitability of the part described herein for any particular purpose, and Pasternack does not assume any liability arising out of the use of any part or documentation.

PE3C1103/HS CAD Drawing

Reverse Polarity SMA Plug Right Angle to Reverse Polarity SMA Jack Bulkhead
Low Loss Cable Using LMR-195 Coax with HeatShrink



ZONE	REV	DESCRIPTION	DATE	CHANGED BY	APPROVED
	A	INITIAL RELEASE	10/30/2023	KDANG	AGANWANI

REVISION	SCALE	SHEET
	NONE	1 OF 1

INTERPRET ALL DIMENSIONS AND TOLERANCES PER ASME Y14.5



Website: www.Pasternack.com
Phone: 1.866.727.8376 | 1.949.261.1920

DESCRIPTION
Reverse Polarity SMA Plug Right Angle to Reverse Polarity SMA Jack Bulkhead Low Loss Cable Using LMR-195 Coax with HeatShrink

SIZE A
CAGE CODE 53919
DRAWN BY KDANG
ITEM NO. PE3C1103/HS
REV A

UNLESS OTHERWISE SPECIFIED, LEADING DIMENSIONS ARE IN INCHES, DIMENSIONS IN [] ARE MILLIMETERS.

TOLERANCES:
X = ±.2 [5] FRACTIONS ± 1/32
XX = ±.02 [0.5] ANGLES ± 1°
XXX = ±.005 [0.13]

CABLE LENGTH TOLERANCES:
>12 [305] ≤ 60 [1524] = ±.1 [2.5] / -0
>60 [1524] ≤ 120 [3048] = ±.2 [5.1] / -0
>120 [3048] ≤ 300 [7620] = ±.4 [10.2] / -0
>300 [7620] = ±.5% / -0

ALL DIMENSIONS ARE FOR REFERENCE ONLY AND SUBJECT TO CHANGE WITHOUT NOTICE. UNDIMENSIONED NON-CRITICAL FEATURES MAY VARY IN SIZE AND LOCATION. COLORS MAY VARY.

- NOTES:
- CABLE ASSY LENGTH LABEL PLACEMENT: 36 INCHES OR LESS, ONE LABEL APPROX CENTERED. LONGER THAN 36 INCHES, TWO LABELS APPROX 6 INCHES FROM EACH CONNECTOR.
 - CABLE ASSEMBLY LENGTH DETERMINED BY ITEM PN AND DESCRIPTION.
 - CABLES ASSEMBLIES SHALL BE TESTED FOR CONTINUITY.
- THE INFORMATION CONTAINED IN THIS DRAWING IS THE SOLE PROPERTY OF INFINITE ELECTRONICS, INC. ANY REPRODUCTION IN PART OR WHOLE WITHOUT THE WRITTEN PERMISSION OF INFINITE ELECTRONICS, INC. IS PROHIBITED. THESE COMMODITIES, TECHNOLOGY OR SOFTWARE WERE EXPORTED FROM THE UNITED STATES IN ACCORDANCE WITH THE EXPORT ADMINISTRATION REGULATIONS. DIVERSION CONTRARY TO U.S. LAW PROHIBITED.