

SMA Male to SMA Male Low Loss Cable Using LMR-400-UF Coax with Times Microwave Components



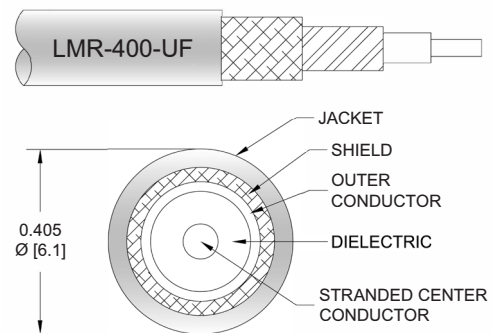
PE3C1277

Configuration

- Connector 1: SMA Male
- Connector 2: SMA Male
- Cable Type: LMR-400-UF
- Coax Flex Type: Flexible

Features

- Max Frequency 6 GHz
- Shielding Effectivity > 90 dB
- 85% Phase Velocity
- Double Shielded
- TPE Jacket



Applications

- General Purpose
- Laboratory Use

Description

Pasternack's PE3C1277 SMA male to SMA male cable using LMR-400-UF coax is part of our full line of RF components available for same-day shipping. Pasternack's flexible RF cable assemblies are ideal for applications where tight bends and flexure are required. This Pasternack SMA to SMA cable assembly has a male to male gender configuration with 50 ohm flexible LMR-400-UF coax. The PE3C1277 SMA male to SMA male cable assembly operates to 6 GHz. The double shielding of this Pasternack cable assembly provides excellent shielding effectiveness of better than 90 dB.

Custom versions of most RF cable assemblies can be built and shipped same day. Custom cable assembly lengths can be obtained by specifying the desired length on the web site at time of order or by contacting a sales representative. Other available RF cable assembly value added services include connector orientation or clocking, heat shrink booting and custom labeling. RF testing can also be performed to document the electrical performance of your cable assembly.

Electrical Specifications

Description	Minimum	Typical	Maximum	Units
Frequency Range	DC		6	GHz
VSWR			1.4:1	
Velocity of Propagation		85		%
RF Shielding	90			dB
Group Delay		1.2 [3.94]		ns/ft [ns/m]
Capacitance		23.9 [78.41]		pF/ft [pF/m]
Inductance		0.06 [0.2]		uH/ft [uH/m]
DC Resistance Inner Conductor		1.07 [3.51]		Ohms/1000ft [Ohms/Km]
DC Resistance Outer Conductor		1.65 [5.41]		Ohms/1000ft [Ohms/Km]
Dielectric Withstanding Voltage (DC)			500	Vdc



SMA Male to SMA Male Low Loss Cable Using LMR-400-UF Coax with Times Microwave Components

PE3C1277

Electrical Specifications

Description	Minimum	Typical	Maximum	Units
Jacket Spark			8,000	Vrms

Specifications by Frequency

Part Number	Length	Description	F1	F2	F3	F4	F5	Units	Weight (lbs)
			Frequency					MHz	
PE3C1277	Custom Lengths Available	Insertion Loss (Typ.)	0.02	0.03	0.05	0.08	0.13	dB/ft	
			0.08	0.12	0.17	0.27	0.43	dB/m	
PE3C1277-12	12 inch	Insertion Loss (Typ.)	0.23	0.24	0.25	0.29	0.33	dB	0.189
PE3C1277-36	36 inch	Insertion Loss (Typ.)	0.27	0.31	0.35	0.45	0.59	dB	0.363
PE3C1277-60	60 inch	Insertion Loss (Typ.)	0.32	0.37	0.45	0.61	0.85	dB	0.537
PE3C1277-120	120 inch	Insertion Loss (Typ.)	0.43	0.54	0.69	1.01	1.5	dB	0.972
PE3C1277-300	300 inch	Insertion Loss (Typ.)	0.78	1.05	1.43	2.23	3.45	dB	2.277

The insertion loss data for the base model does not include loss due to the connectors. Each length includes insertion loss due to the connectors.

Loss due to Connector 1:	0.1 dB
Loss due to Connector 2:	0.1 dB
Base Weight:	0.189 pounds
Additional Weight per Inch:	0.00725 pounds

Mechanical Specifications

Cable Assembly

Width/Diameter	0.5 in [12.7 mm]
Weight	0.189 lbs [85.73 g]

Cable

Cable Type	LMR-400-UF
Impedance	50 Ohms
Inner Conductor Type	Stranded
Inner Conductor Material and Plating	Copper
Dielectric Type	PE (F)
Number of Shields	2
Shield Layer 1	Aluminum Tape
Shield Layer 2	Tinned Copper Braid
Jacket Material	TPE, Black
Jacket Diameter	0.405 in [10.29 mm]
One Time Minimum Bend Radius	1 in [25.4 mm]
Repeated Minimum Bend Radius	4 in [101.6 mm]
Bending Moment	0.38 lbs-ft [0.52 N-m]
Flat Plate Crush	20 lbs/in [0.36 Kg/mm]
Tensile Strength	160 lbs [72.57 Kg]

SMA Male to SMA Male Low Loss Cable Using LMR-400-UF Coax with Times Microwave Components



PE3C1277

Connectors

Description	Connector 1	Connector 2
Type	SMA Male	SMA Male
Impedance	50 Ohms	50 Ohms
Configuration	Straight	Straight
Contact Material and Plating	Brass, Gold	Brass, Gold
Contact Plating Specification	50 µin minimum	50 µin minimum
Dielectric Type	Teflon	Teflon
Body Material and Plating	Brass, Tri-Metal	Brass, Tri-Metal
Coupling Nut Material and Plating	Brass, Tri-Metal	Brass, Tri-Metal

Environmental Specifications

Operating Range Temperature -40 to +85 deg C

Compliance Certifications (see [product page](#) for current document)

Plotted and Other Data

Notes:

SMA Male to SMA Male Low Loss Cable Using LMR-400-UF Coax with Times Microwave Components



PE3C1277

Typical Performance Data

How to Order

Part Number Configuration:

PE3C1277

- xx

uu

Unit of Measure:

cm = Centimeters

<blank> = Inches

Length

Base Number

Example: PE3C1277-12 = 12 inches long cable
PE3C1277-100cm = 100 cm long cable

SMA Male to SMA Male Low Loss Cable Using LMR-400-UF Coax with Times Microwave Components from Pasternack Enterprises has same day shipment for domestic and International orders. Our RF, microwave and millimeter wave products maintain a 99.4% availability and are part of the broadest selection in the industry.

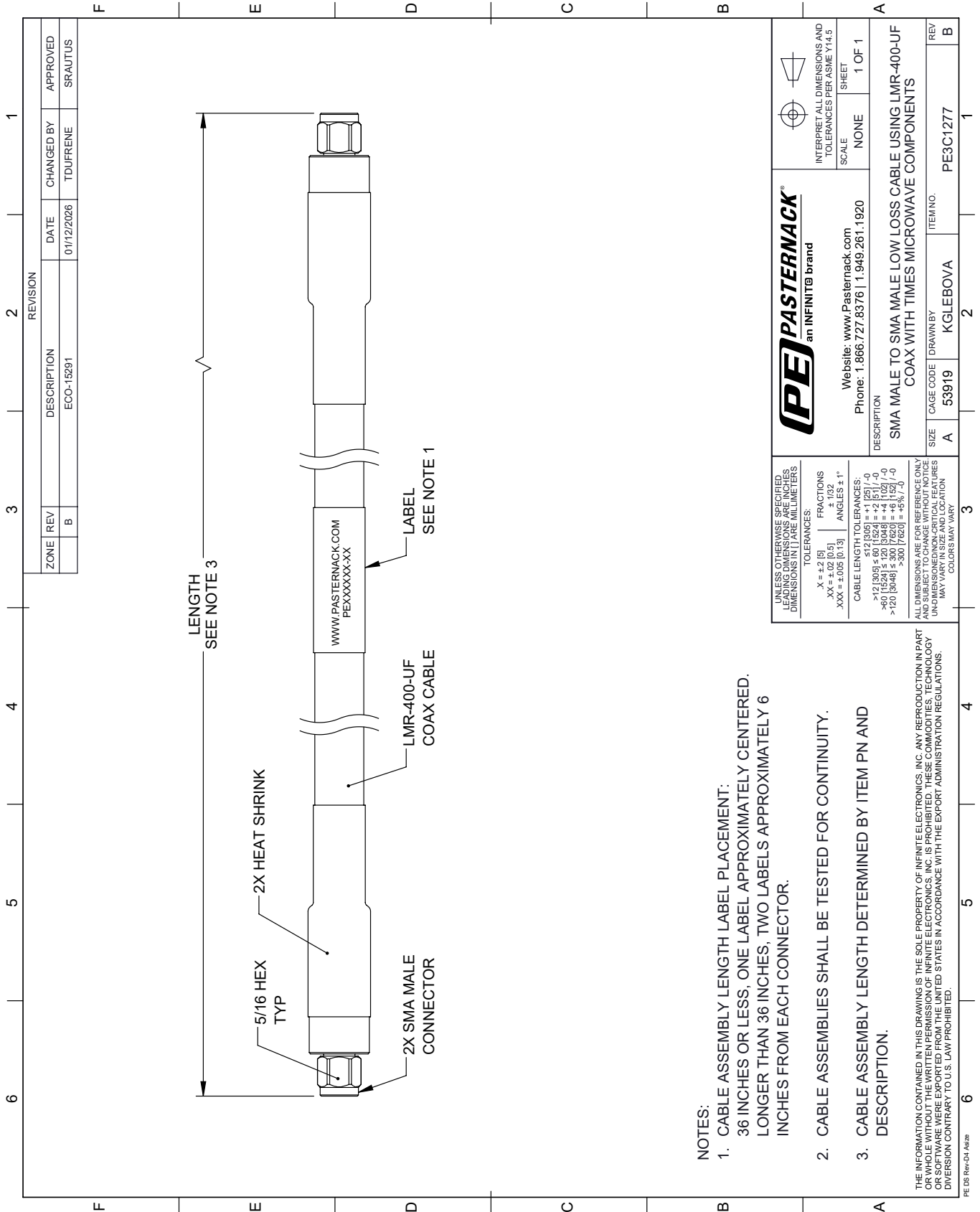
Click the following link (or enter part number in "SEARCH" on website) to obtain additional part information including price, inventory and certifications: [SMA Male to SMA Male Low Loss Cable Using LMR[®]-400-UF Coax with Times Microwave Components PE3C1277](#)

URL: <https://www.pasternack.com/sma-male-to-sma-male-low-loss-cable-using-lmr-400-uf-pe3c1277-p.aspx>

The information contained within this document is accurate to the best of our knowledge and representative of the part described herein. It may be necessary to make modifications to the part and/or the documentation of the part in order to implement improvements. Pasternack Enterprises reserves the right to make such changes as required. Unless otherwise stated, all specifications are nominal. Pasternack Enterprises does not make any representation or warranty regarding the suitability of the part described herein for any particular purpose, and Pasternack Enterprises does not assume liability arising out of the use of any part or document.

PE3C1277 CAD Drawing

SMA Male to SMA Male Low Loss Cable Using LMR-400-UF Coax with Times Microwave Components



NOTES:

1. CABLE ASSEMBLY LENGTH LABEL PLACEMENT: 36 INCHES OR LESS, ONE LABEL APPROXIMATELY CENTERED. LONGER THAN 36 INCHES, TWO LABELS APPROXIMATELY 6 INCHES FROM EACH CONNECTOR.
2. CABLE ASSEMBLIES SHALL BE TESTED FOR CONTINUITY.
3. CABLE ASSEMBLY LENGTH DETERMINED BY ITEM PN AND DESCRIPTION.

THE INFORMATION CONTAINED IN THIS DRAWING IS THE SOLE PROPERTY OF INFINITE ELECTRONICS, INC. ANY REPRODUCTION IN PART OR WHOLE WITHOUT THE WRITTEN PERMISSION OF INFINITE ELECTRONICS, INC. IS PROHIBITED. THESE COMMODITIES, TECHNOLOGY OR SOFTWARE WERE EXPORTED FROM THE UNITED STATES IN ACCORDANCE WITH THE EXPORT ADMINISTRATION REGULATIONS. DIVERSION CONTRARY TO U.S. LAW PROHIBITED.

PE DS Rev-D4 Add2

UNLESS OTHERWISE SPECIFIED, DIMENSIONS ARE IN INCHES. DIMENSIONS IN [] ARE MILLIMETERS.		PE PASTERNAK® an INFINITO brand		INTERPRET ALL DIMENSIONS AND TOLERANCES PER ASME Y14.5	
TOLERANCES:		Website: www.Pasternack.com		SCALE: NONE	
.X = ±.2 [5]	FRACTIONS ± 1/32	Phone: 1.866.727.8376 1.949.261.1920		SHEET 1 OF 1	
.XX = ±.02 [0.5]	ANGLES ± 1°	DESCRIPTION		SMA MALE TO SMA MALE LOW LOSS CABLE USING LMR-400-UF COAX WITH TIMES MICROWAVE COMPONENTS	
.XXX = ±.005 [0.13]	CABLE LENGTH TOLERANCES:	SIZE		ITEM NO.	
>12 [305] ≤ 60 [1524] = ±.1 [25] / -0	>12 [305] ≤ 60 [1524] = ±.1 [25] / -0	A		53919	
>60 [1524] ≤ 120 [3048] = ±.4 [102] / -0	>60 [1524] ≤ 120 [3048] = ±.4 [102] / -0	DRAWN BY		KGLEBOVA	
>120 [3048] ≤ 300 [7620] = ±.5 [12.7] / -0	>120 [3048] ≤ 300 [7620] = ±.5 [12.7] / -0	CAGE CODE		PE3C1277	
ALL DIMENSIONS ARE FOR REFERENCE ONLY. DIMENSIONS OF NON-CRITICAL FEATURES MAY VARY IN SIZE AND LOCATION. COLORS MAY VARY.		REV		B	