



BNC Male to BNC Male Low Loss Cable Using LMR-100 Coax with HeatShrink, LF Solder

TECHNICAL DATA SHEET

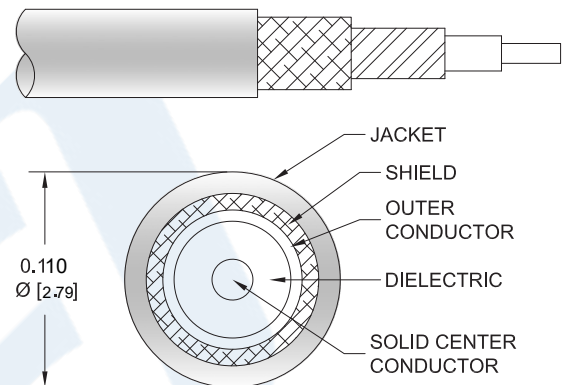
PE3C2139LF/HS

Configuration

- Connector 1: BNC Male
- Connector 2: BNC Male
- Cable Type: LMR-100A
- Coax Flex Type: Flexible

Features

- Max Frequency 3 GHz
- Shielding Effectivity > 90 dB
- 66% Phase Velocity
- Double Shielded
- PVC Jacket



Applications

- General Purpose
- Laboratory Use

Description

Pasternack's PE3C2139LF/HS BNC male to BNC male cable using LMR-100 coax is part of our full line of RF components available for same-day shipping. Pasternack's flexible RF cable assemblies are ideal for applications where tight bends and flexure are required. This Pasternack BNC to BNC cable assembly has a male to male gender configuration with 50 ohm flexible LMR-100A coax. The PE3C2139LF/HS BNC male to BNC male cable assembly operates to 3 GHz. The double shielding of this Pasternack cable assembly provides excellent shielding effectiveness of better than 90 dB.

Custom versions of most RF cable assemblies can be built and shipped same day. Custom cable assembly lengths can be obtained by specifying the desired length on the web site at time of order or by contacting a sales representative. Other available RF cable assembly value added services include connector orientation or clocking, heat shrink booting and custom labeling. RF testing can also be performed to document the electrical performance of your cable assembly.

Click the following link (or enter part number in "SEARCH" on website) to obtain additional part information including price, inventory and certifications: [BNC Male to BNC Male Low Loss Cable Using LMR-100 Coax with HeatShrink, LF Solder PE3C2139LF/HS](#)



BNC Male to BNC Male Low Loss Cable Using LMR-100 Coax with HeatShrink, LF Solder

TECHNICAL DATA SHEET

PE3C2139LF/HS

Electrical Specifications

| Description | Minimum | Typical | Maximum | Units |
|-------------------------------|---------|---------------|---------|----------------------------------|
| Frequency Range | DC | | 3 | GHz |
| VSWR | | | 1.4:1 | |
| Velocity of Propagation | | 66 | | % |
| RF Shielding | 90 | | | dB |
| Group Delay | | 1.54 [5.05] | | ns/ft [ns/m] |
| Capacitance | | 30.8 [101.05] | | pF/ft [pF/m] |
| Inductance | | 0.077 [0.25] | | uH/ft [uH/m] |
| DC Resistance Inner Conductor | | 81 [265.75] | | Ω /1000ft [Ω /Km] |
| DC Resistance Outer Conductor | | 9.5 [31.17] | | Ω /1000ft [Ω /Km] |
| Jacket Spark | | | 2,000 | Vrms |

Specifications by Frequency

| Part Number | Length | Description | F1 | F2 | F3 | F4 | F5 | Units | Weight (lbs) |
|---------------------|--------------------------|-----------------------|-----------|------|------|------|------|-------|--------------|
| | | | Frequency | | | | | | |
| PE3C2139LF/HS | Custom Lengths Available | Insertion Loss (Typ.) | 0.06 | 0.12 | 0.17 | 0.24 | 0.43 | dB/ft | |
| | | | 0.21 | 0.38 | 0.55 | 0.79 | 1.42 | dB/m | |
| PE3C2139LF/HS-24 | 24 inch | Insertion Loss (Typ.) | 0.33 | 0.43 | 0.53 | 0.68 | 1.07 | dB | 0.072 |
| PE3C2139LF/HS-36 | 36 inch | Insertion Loss (Typ.) | 0.4 | 0.55 | 0.7 | 0.92 | 1.5 | dB | 0.081 |
| PE3C2139LF/HS-48 | 48 inch | Insertion Loss (Typ.) | 0.46 | 0.66 | 0.86 | 1.16 | 1.93 | dB | 0.09 |
| PE3C2139LF/HS-100CM | 100 cm | Insertion Loss (Typ.) | 0.41 | 0.58 | 0.75 | 0.99 | 1.62 | dB | 0.084 |
| PE3C2139LF/HS-200CM | 200 cm | Insertion Loss (Typ.) | 0.62 | 0.96 | 1.29 | 1.78 | 3.04 | dB | 0.114 |

The insertion loss data for the base model does not include loss due to the connectors. Each length includes insertion loss due to the connectors.

| | |
|-----------------------------|----------------|
| Loss due to Connector 1: | 0.1 dB |
| Loss due to Connector 2: | 0.1 dB |
| Base Weight: | 0.063 pounds |
| Additional Weight per Inch: | 0.00075 pounds |

Mechanical Specifications

Cable Assembly

Weight 0.063 lbs [28.58 g]

Click the following link (or enter part number in "SEARCH" on website) to obtain additional part information including price, inventory and certifications: [BNC Male to BNC Male Low Loss Cable Using LMR-100 Coax with HeatShrink, LF Solder PE3C2139LF/HS](#)



BNC Male to BNC Male Low Loss Cable Using LMR-100 Coax with HeatShrink, LF Solder

TECHNICAL DATA SHEET

PE3C2139LF/HS

Cable

| | |
|--------------------------------------|------------------------|
| Cable Type | LMR-100A |
| Impedance | 50 Ohms |
| Inner Conductor Type | Solid |
| Inner Conductor Material and Plating | Copper Clad Steel |
| Dielectric Type | PE |
| Number of Shields | 2 |
| Shield Layer 1 | Aluminum Tape |
| Shield Layer 2 | Tinned Copper Braid |
| Jacket Material | PVC, Black |
| Jacket Diameter | 0.11 in [2.79 mm] |
| One Time Minimum Bend Radius | 0.25 in [6.35 mm] |
| Repeated Minimum Bend Radius | 1 in [25.4 mm] |
| Bending Moment | 0.1 lbs-ft [0.14 N-m] |
| Flat Plate Crush | 10 lbs/in [0.18 Kg/mm] |
| Tensile Strength | 15 lbs [6.8 Kg] |

Connectors

| Description | Connector 1 | Connector 2 |
|------------------------------------|------------------|------------------|
| Type | BNC Male Bayonet | BNC Male Bayonet |
| Specification | MIL-STD-348A | MIL-STD-348A |
| Impedance | 50 Ohms | 50 Ohms |
| Contact Material and Plating | Brass, Gold | Brass, Gold |
| Contact Plating Specification | 50 µin minimum | 50 µin minimum |
| Dielectric Type | PTFE | PTFE |
| Body Material and Plating | Brass, Nickel | Brass, Nickel |
| Body Plating Specification | 100 µin minimum | 100 µin minimum |
| Coupling Nut Material and Plating | Brass, Nickel | Brass, Nickel |
| Coupling Nut Plating Specification | 100 µin minimum | 100 µin minimum |

Environmental Specifications

Temperature

Operating Range -40 to +85 deg C

Compliance Certifications (see [product page](#) for current document)

Plotted and Other Data

Notes:

Click the following link (or enter part number in "SEARCH" on website) to obtain additional part information including price, inventory and certifications: [BNC Male to BNC Male Low Loss Cable Using LMR-100 Coax with HeatShrink, LF Solder PE3C2139LF/HS](#)



BNC Male to BNC Male Low Loss Cable Using LMR-100 Coax with HeatShrink, LF Solder

TECHNICAL DATA SHEET

PE3C2139LF/HS

How to Order

Part Number Configuration:

PE3C2139LF/HS - xx

uu

Unit of Measure:
cm = Centimeters
<blank> = Inches
Length
Base Number

Example: PE3C2139LF/HS-12 = 12 inches long cable
PE3C2139LF/HS-100cm = 100 cm long cable

BNC Male to BNC Male Low Loss Cable Using LMR-100 Coax with HeatShrink, LF Solder from Pasternack Enterprises has same day shipment for domestic and International orders. Our RF, microwave and millimeter wave products maintain a 99.4% availability and are part of the broadest selection in the industry.

Click the following link (or enter part number in "SEARCH" on website) to obtain additional part information including price, inventory and certifications: [BNC Male to BNC Male Low Loss Cable Using LMR-100 Coax with HeatShrink, LF Solder PE3C2139LF/HS](#)

URL: <https://www.pasternack.com/bnc-male-to-bnc-male-low-loss-cable-using-lmr-100-with-heatshrink-lf-solder-pe3c2139lf-hs-p.aspx>

The information contained in this document is accurate to the best of our knowledge and representative of the part described herein. It may be necessary to make modifications to the part and/or the documentation of the part, in order to implement improvements. Pasternack reserves the right to make such changes as required. Unless otherwise stated, all specifications are nominal. Pasternack does not make any representation or warranty regarding the suitability of the part described herein for any particular purpose, and Pasternack does not assume any liability arising out of the use of any part or documentation.

