

N Male to SMA Male Low Loss Cable Using LMR-200-UF Coax with Times Microwave Components with HeatShrink, LF Solder



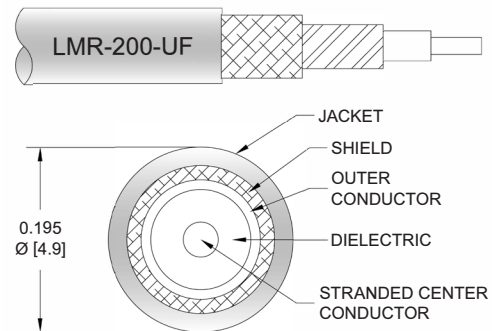
PE3C2279LF/HS

Configuration

- Connector 1: N Male
- Connector 2: SMA Male
- Cable Type: LMR-200-UF
- Coax Flex Type: Flexible

Features

- Shielding Effectivity > 90 dB
- 83% Phase Velocity
- Double Shielded
- TPE Jacket



Applications

- General Purpose
- Laboratory Use

Description

Pasternack's PE3C2279LF/HS type N male to SMA male cable using LMR-200-UF coax is part of our full line of RF components available for same-day shipping. Pasternack's flexible RF cable assemblies are ideal for applications where tight bends and flexure are required. This Pasternack type N to SMA cable assembly has a male to male gender configuration with 50 ohm flexible LMR-200-UF coax. The double shielding of this Pasternack cable assembly provides excellent shielding effectiveness of better than 90 dB.

Custom versions of most RF cable assemblies can be built and shipped same day. Custom cable assembly lengths can be obtained by specifying the desired length on the web site at time of order or by contacting a sales representative. Other available RF cable assembly value added services include connector orientation or clocking, heat shrink booting and custom labeling. RF testing can also be performed to document the electrical performance of your cable assembly.

Electrical Specifications

Description	Minimum	Typical	Maximum	Units
Velocity of Propagation		83		%
RF Shielding	90			dB
Group Delay		1.22 [4]		ns/ft [ns/m]
Capacitance		24.5 [80.38]		pF/ft [pF/m]
Inductance		0.061 [0.2]		uH/ft [uH/m]
DC Resistance Inner Conductor		7.5 [24.61]		Ohms/1000ft [Ohms/Km]
DC Resistance Outer Conductor		4.9 [16.08]		Ohms/1000ft [Ohms/Km]
Jacket Spark			3,000	Vrms

Electrical Specification Notes:
Values at 25°C, sea level.

N Male to SMA Male Low Loss Cable Using LMR-200-UF Coax with Times Microwave Components with HeatShrink, LF Solder



PE3C2279LF/HS

Mechanical Specifications

Cable Assembly

Width/Diameter	0.5 in [12.7 mm]
Weight	0.14 lbs [63.5 g]

Cable

Cable Type	LMR-200-UF
Impedance	50 Ohms
Inner Conductor Type	Stranded
Inner Conductor Material and Plating	Copper
Dielectric Type	PE (F)
Number of Shields	2
Shield Layer 1	Aluminum Tape
Shield Layer 2	Tinned Copper Braid
Jacket Material	TPE, Black
Jacket Diameter	0.195 in [4.95 mm]
One Time Minimum Bend Radius	0.5 in [12.7 mm]
Repeated Minimum Bend Radius	2 in [50.8 mm]
Bending Moment	0.1 lbs-ft [0.14 N-m]
Flat Plate Crush	10 lbs/in [0.18 Kg/mm]
Tensile Strength	40 lbs [18.14 Kg]

Connectors

Description	Connector 1	Connector 2
Type	N Male	SMA Male
Specification	MIL-STD-348A	MIL-STD-348A
Impedance	50 Ohms	50 Ohms
Configuration	Straight	Straight
Contact Material and Plating	Brass, Gold	Beryllium Copper, Gold
Contact Plating Specification		ASTM B488
Dielectric Type	PTFE	Teflon
Body Material and Plating	Brass, Tri-Metal	Passivated Stainless Steel
Body Plating Specification		SAE-AMS-2700
Coupling Nut Material and Plating	Brass, Tri-Metal	Passivated Stainless Steel
Coupling Nut Plating Specification		SAE-AMS-2700
Hex Size	13/16 Inch	5/16 Inch

Environmental Specifications

Compliance Certifications (see [product page](#) for current document)

Plotted and Other Data

Notes:

N Male to SMA Male Low Loss Cable Using LMR-200-UF Coax with Times Microwave Components with HeatShrink, LF Solder



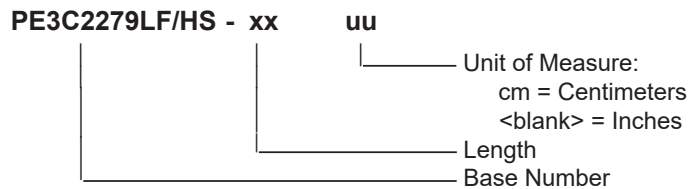
PE3C2279LF/HS

Values at 25°C, sea level.

Typical Performance Data

How to Order

Part Number Configuration:



Example: PE3C2279LF/HS-12 = 12 inches long cable
PE3C2279LF/HS-100cm = 100 cm long cable

N Male to SMA Male Low Loss Cable Using LMR-200-UF Coax with Times Microwave Components with HeatShrink, LF Solder from Pasternack Enterprises has same day shipment for domestic and International orders. Our RF, microwave and millimeter wave products maintain a 99.4% availability and are part of the broadest selection in the industry.

Click the following link (or enter part number in "SEARCH" on website) to obtain additional part information including price, inventory and certifications: [N Male to SMA Male Low Loss Cable Using LMR-200-UF Coax with Times Microwave Components with HeatShrink, LF Solder PE3C2279LF/HS](#)

URL: <https://www.pasternack.com/n-male-to-sma-male-low-loss-cable-using-lmr-200-uf-with-heatshrink-lf-solder-pe3c2279lf-hs-p.aspx>

The information contained within this document is accurate to the best of our knowledge and representative of the part described herein. It may be necessary to make modifications to the part and/or the documentation of the part in order to impliment improvements. Pasternack Enterprises reserves the right to make such changes as required. Unless otherwise stated, all specifications are nominal. Pasternack Enterprises does not make any representation or warranty regarding the suitability of the part described herein for any particular purpose, and Pasternack Enterprises does not assume liability arising out of the use of any part or document.

PE3C2279LF/HS CAD Drawing

N Male to SMA Male Low Loss Cable Using LMR-200-UF Coax with Times Microwave Components with HeatShrink, LF Solder

