



TNC Male Right Angle to TNC Male Low Loss Cable Using LMR-400 Coax with Times Microwave Components with HeatShrink

TECHNICAL DATA SHEET

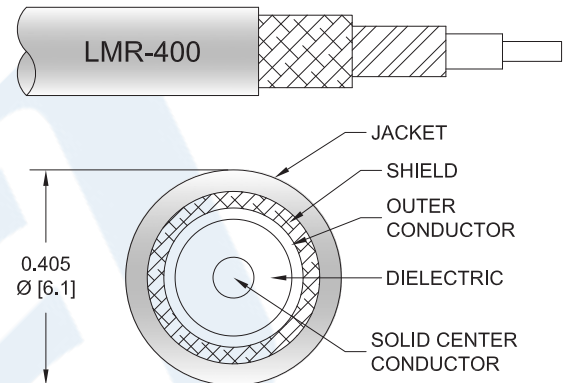
PE3C2638/HS

Configuration

- Connector 1: TNC Male Right Angle
- Connector 2: TNC Male
- Cable Type: LMR-400
- Coax Flex Type: Flexible

Features

- Max Frequency 5.8 GHz
- Shielding Effectivity > 90 dB
- 85% Phase Velocity
- Double Shielded
- PE Jacket



Applications

- General Purpose
- Laboratory Use

Description

Pasternack's PE3C2638/HS TNC male right angle to TNC male cable using LMR-400 coax is part of our full line of RF components available for same-day shipping. Pasternack's flexible RF cable assemblies are ideal for applications where tight bends and flexure are required. This Pasternack TNC to TNC cable assembly has a male to male gender configuration with 50 ohm flexible LMR-400 coax. The PE3C2638/HS TNC male to TNC male cable assembly operates to 5.8 GHz. The right angle TNC interface on the LMR-400 cable allows for easier connections in tight spaces. The double shielding of this Pasternack cable assembly provides excellent shielding effectiveness of better than 90 dB.

Custom versions of most RF cable assemblies can be built and shipped same day. Custom cable assembly lengths can be obtained by specifying the desired length on the web site at time of order or by contacting a sales representative. Other available RF cable assembly value added services include connector orientation or clocking, heat shrink booting and custom labeling. RF testing can also be performed to document the electrical performance of your cable assembly.

Click the following link (or enter part number in "SEARCH" on website) to obtain additional part information including price, inventory and certifications: [TNC Male Right Angle to TNC Male Low Loss Cable Using LMR-400 Coax with Times Microwave Components with HeatShrink PE3C2638/HS](#)



TNC Male Right Angle to TNC Male Low Loss Cable Using LMR-400 Coax with Times Microwave Components with HeatShrink

TECHNICAL DATA SHEET

PE3C2638/HS

Electrical Specifications

Description	Minimum	Typical	Maximum	Units
Frequency Range	DC		5.8	GHz
VSWR			1.4:1	
Velocity of Propagation		85		%
RF Shielding	90			dB
Group Delay		1.2 [3.94]		ns/ft [ns/m]
Capacitance		23.9 [78.41]		pF/ft [pF/m]
Inductance		0.06 [0.2]		uH/ft [uH/m]
DC Resistance Inner Conductor		1.39 [4.56]		Ω /1000ft [Ω /Km]
DC Resistance Outer Conductor		1.65 [5.41]		Ω /1000ft [Ω /Km]
Jacket Spark			8,000	Vrms

Specifications by Frequency

Part Number	Length	Description	F1	F2	F3	F4	F5	Units	Weight (lbs)
		Frequency	250	500	1000	2500	5800	MHz	
PE3C2638/HS	Custom Lengths Available	Insertion Loss (Typ.)	0.02	0.03	0.04	0.07	0.11	dB/ft	
			0.07	0.1	0.14	0.23	0.36	dB/m	
PE3C2638/HS-12	12 inch	Insertion Loss (Typ.)	0.47	0.48	0.5	0.52	0.56	dB	0.268
PE3C2638/HS-24	24 inch	Insertion Loss (Typ.)	0.49	0.51	0.54	0.59	0.67	dB	0.336
PE3C2638/HS-36	36 inch	Insertion Loss (Typ.)	0.51	0.54	0.58	0.66	0.78	dB	0.403
PE3C2638/HS-48	48 inch	Insertion Loss (Typ.)	0.53	0.57	0.62	0.73	0.89	dB	0.47
PE3C2638/HS-60	60 inch	Insertion Loss (Typ.)	0.55	0.59	0.66	0.79	0.99	dB	0.537

The insertion loss data for the base model does not include loss due to the connectors. Each length includes insertion loss due to the connectors.

Loss due to Connector 1: 0.2 dB
 Loss due to Connector 2: 0.25 dB
 Base Weight: 0.268 pounds
 Additional Weight per Inch: 0.00559 pounds

Mechanical Specifications

Cable Assembly

Weight 0.268 lbs [121.56 g]

Click the following link (or enter part number in "SEARCH" on website) to obtain additional part information including price, inventory and certifications: [TNC Male Right Angle to TNC Male Low Loss Cable Using LMR-400 Coax with Times Microwave Components with HeatShrink PE3C2638/HS](#)



TNC Male Right Angle to TNC Male Low Loss Cable Using LMR-400 Coax with Times Microwave Components with HeatShrink

TECHNICAL DATA SHEET

PE3C2638/HS

Cable

Cable Type	LMR-400
Impedance	50 Ohms
Inner Conductor Type	Solid
Inner Conductor Material and Plating	Copper Clad Aluminum
Dielectric Type	PE (F)
Number of Shields	2
Shield Layer 1	Aluminum Tape
Shield Layer 2	Tinned Copper Braid
Jacket Material	PE, Black
Jacket Diameter	0.405 in [10.29 mm]
One Time Minimum Bend Radius	1 in [25.4 mm]
Repeated Minimum Bend Radius	4 in [101.6 mm]
Bending Moment	0.5 lbs-ft [0.68 N-m]
Flat Plate Crush	40 lbs/in [0.71 Kg/mm]
Tensile Strength	160 lbs [72.57 Kg]

Connectors

Description	Connector 1	Connector 2
Type	TNC Male Right Angle Threaded	TNC Male Threaded
Impedance	50 Ohms	50 Ohms
Mating Cycles		500
Contact Material and Plating	Brass, Silver	Brass, Gold
Contact Plating Specification		50 μinch
Dielectric Type	PTFE	
Body Material and Plating	Brass, Silver	Brass, Tri-Metal
Body Plating Specification		80 μinch
Coupling Nut Material and Plating	Brass, Silver	Brass, Tri-Metal
Coupling Nut Plating Specification		80 μinch

Environmental Specifications

Temperature

Operating Range -40 to +85 deg C

Compliance Certifications (see [product page](#) for current document)

Plotted and Other Data

Notes:

Click the following link (or enter part number in "SEARCH" on website) to obtain additional part information including price, inventory and certifications: [TNC Male Right Angle to TNC Male Low Loss Cable Using LMR-400 Coax with Times Microwave Components with HeatShrink PE3C2638/HS](#)



TNC Male Right Angle to TNC Male Low Loss Cable Using LMR-400 Coax with Times Microwave Components with HeatShrink

TECHNICAL DATA SHEET

PE3C2638/HS

How to Order

Part Number Configuration:

PE3C2638/HS - xx uu

Unit of Measure:
 cm = Centimeters
 <blank> = Inches
 Length
 Base Number

Example: PE3C2638/HS-12 = 12 inches long cable
 PE3C2638/HS-100cm = 100 cm long cable

TNC Male Right Angle to TNC Male Low Loss Cable Using LMR-400 Coax with Times Microwave Components with HeatShrink from Pasternack Enterprises has same day shipment for domestic and International orders. Our RF, microwave and millimeter wave products maintain a 99.4% availability and are part of the broadest selection in the industry.

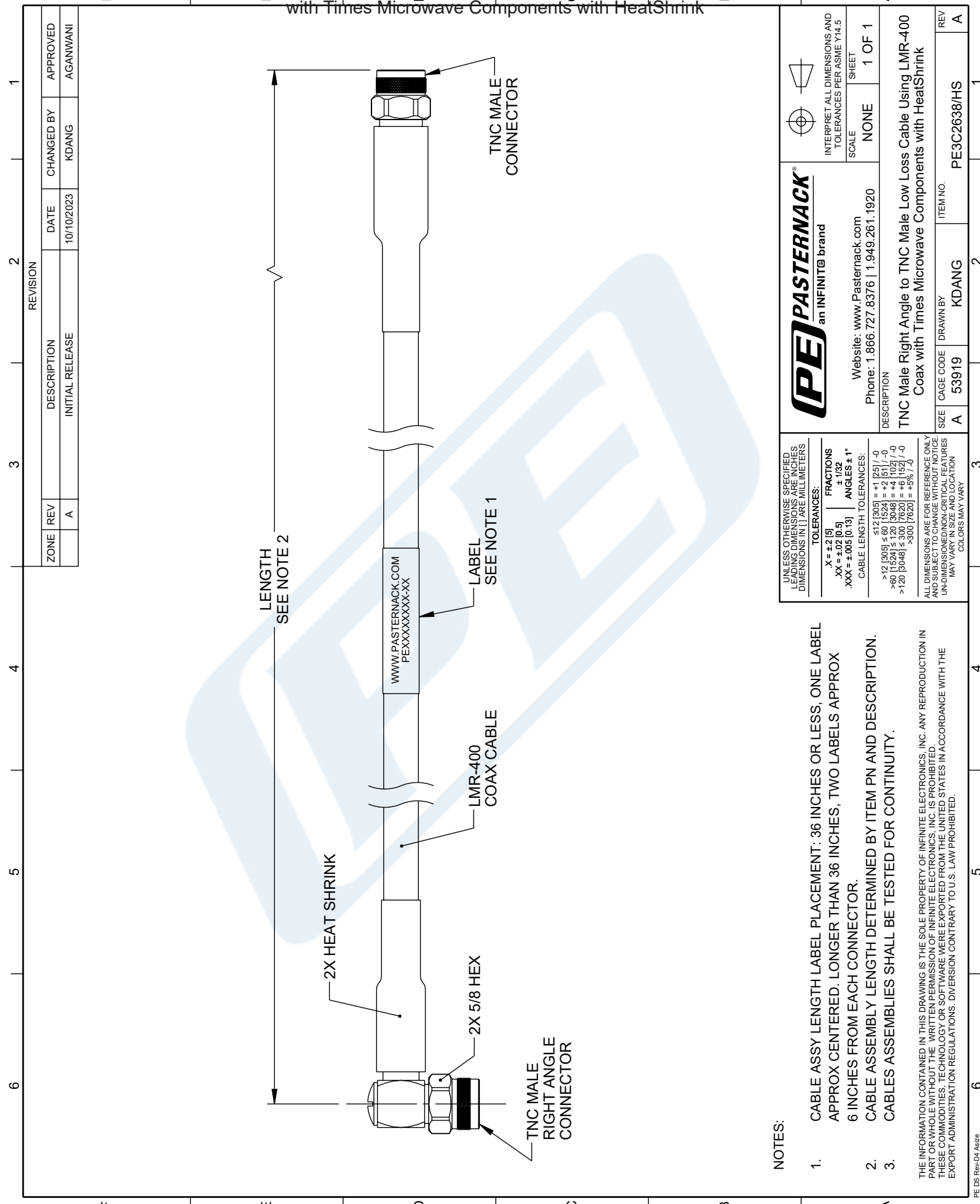
Click the following link (or enter part number in "SEARCH" on website) to obtain additional part information including price, inventory and certifications: [TNC Male Right Angle to TNC Male Low Loss Cable Using LMR-400 Coax with Times Microwave Components with HeatShrink PE3C2638/HS](#)

URL: <https://www.pasternack.com/tnc-male-right-angle-to-tnc-male-low-loss-cable-using-lmr-400-with-heatshrink-pe3c2638-hs-p.aspx>

The information contained in this document is accurate to the best of our knowledge and representative of the part described herein. It may be necessary to make modifications to the part and/or the documentation of the part, in order to implement improvements. Pasternack reserves the right to make such changes as required. Unless otherwise stated, all specifications are nominal. Pasternack does not make any representation or warranty regarding the suitability of the part described herein for any particular purpose, and Pasternack does not assume any liability arising out of the use of any part or documentation.

PE3C2638/HS CAD Drawing

TNC Male Right Angle to TNC Male Low Loss Cable Using LMR-400 Coax with Times Microwave Components with HeatShrink



LENGTH
SEE NOTE 2

2X HEAT SHRINK

2X 5/8 HEX

LMR-400
COAX CABLE

WWW.PASTERNAK.COM
PEXXXXXXX-XX

LABEL
SEE NOTE 1

TNC MALE
CONNECTOR

TNC MALE
RIGHT ANGLE
CONNECTOR

NOTES:

1. CABLE ASSY LENGTH LABEL PLACEMENT: 36 INCHES OR LESS, ONE LABEL APPROX CENTERED. LONGER THAN 36 INCHES, TWO LABELS APPROX 6 INCHES FROM EACH CONNECTOR.
2. CABLE ASSEMBLY LENGTH DETERMINED BY ITEM PN AND DESCRIPTION.
3. CABLES ASSEMBLIES SHALL BE TESTED FOR CONTINUITY.

THE INFORMATION CONTAINED IN THIS DRAWING IS THE SOLE PROPERTY OF INFINITE ELECTRONICS, INC. ANY REPRODUCTION IN PART OR WHOLE WITHOUT THE WRITTEN PERMISSION OF INFINITE ELECTRONICS, INC. IS PROHIBITED. THESE COMMODITIES, TECHNOLOGY OR SOFTWARE WERE EXPORTED FROM THE UNITED STATES IN ACCORDANCE WITH THE EXPORT ADMINISTRATION REGULATIONS. DIVERSION CONTRARY TO U.S. LAW PROHIBITED.

UNLESS OTHERWISE SPECIFIED, LEADING DIMENSIONS ARE IN INCHES, DIMENSIONS IN [] ARE MILLIMETERS.	
TOLERANCES:	
.X = ± 2 [5]	FRACTIONS ± 1/32
.XX = ± 02 [0.5]	ANGLES ± 1°
.XXX = ± 005 [0.13]	
CABLE LENGTH TOLERANCES:	
<12 [305]	± 1 [25] / -0
>12 [305] < 60 [1524]	± 2 [51] / -0
>60 [1524] < 120 [3048]	± 4 [102] / -0
>120 [3048]	± 8 [93] / -0
>300 [7620]	± 16 [93] / -0
ALL DIMENSIONS ARE FOR REFERENCE ONLY AND SUBJECT TO CHANGE WITHOUT NOTICE. UNDIMENSIONED NON-CRITICAL FEATURES MAY VARY IN SIZE AND LOCATION. COLORS MAY VARY.	

PE PASTERNAK
an INFINIT® brand

Website: www.Pasternack.com
Phone: 1.866.727.8376 | 1.949.261.1920

DESCRIPTION
TNC Male Right Angle to TNC Male Low Loss Cable Using LMR-400 Coax with Times Microwave Components with HeatShrink

SIZE	CABLE CODE	DRAWN BY	ITEM NO.
A	53919	KDANG	PE3C2638/HS

INTERPRET ALL DIMENSIONS AND TOLERANCES PER ASME Y14.5	SHEET
SCALE	1 OF 1
NONE	

REVISION			
ZONE	REV	DESCRIPTION	DATE
	A	INITIAL RELEASE	10/10/2023
		CHANGED BY	AGANWANI
		KDANG	