



SMA Male to TNC Male Low Loss Cable Using LMR-240-UF Coax with Times Microwave Components

TECHNICAL DATA SHEET

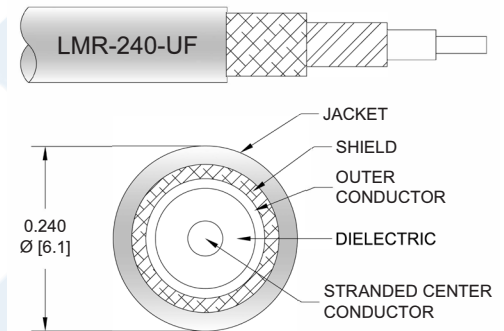
PE3C3076

Configuration

- Connector 1: SMA Male
- Connector 2: TNC Male
- Cable Type: LMR-240-UF
- Coax Flex Type: Flexible

Features

- 84% Phase Velocity
- Double Shielded
- PE Jacket



Applications

- General Purpose
- Laboratory Use

Description

Pasternack's PE3C3076 SMA male to TNC male cable using LMR-240-UF coax is part of our full line of RF components available for same-day shipping. Pasternack's flexible RF cable assemblies are ideal for applications where tight bends and flexure are required. This Pasternack SMA to TNC cable assembly has a male to male gender configuration with 50 ohm flexible LMR-240-UF coax. The double shielding of this Pasternack cable assembly provides excellent shielding effectiveness.

Custom versions of most RF cable assemblies can be built and shipped same day. Custom cable assembly lengths can be obtained by specifying the desired length on the web site at time of order or by contacting a sales representative. Other available RF cable assembly value added services include connector orientation or clocking, heat shrink booting and custom labeling. RF testing can also be performed to document the electrical performance of your cable assembly.

Electrical Specifications

Description	Minimum	Typical	Maximum	Units
Velocity of Propagation		84		%
Capacitance		24.2 [79.4]		pF/ft [pF/m]

Mechanical Specifications

Cable Assembly

Weight 0.104 lbs [47.17 g]

Click the following link (or enter part number in "SEARCH" on website) to obtain additional part information including price, inventory and certifications: [SMA Male to TNC Male Low Loss Cable Using LMR-240-UF Coax with Times Microwave Components PE3C3076](#)



SMA Male to TNC Male Low Loss Cable Using LMR-240-UF Coax with Times Microwave Components

TECHNICAL DATA SHEET

PE3C3076

Cable

Cable Type	LMR-240-UF
Impedance	50 Ohms
Inner Conductor Type	Solid
Dielectric Type	PE (F)
Number of Shields	2
Shield Layer 1	Tinned Copper
Shield Layer 2	Aluminum Tape
Jacket Material	PE, Black
One Time Minimum Bend Radius	0.75 in [19.05 mm]
Repeated Minimum Bend Radius	2.5 in [63.5 mm]

Connectors

Description	Connector 1	Connector 2
Type	SMA Male Threaded	TNC Male Threaded
Specification	MIL-STD-348	
Impedance	50 Ohms	50 Ohms
Contact Material and Plating	Beryllium Copper, Gold	Brass, Gold
Contact Plating Specification	ASTM B488	50 µin
Dielectric Type	Teflon	Teflon
Body Material and Plating	Passivated Stainless Steel	Brass, Tri-Metal
Body Plating Specification	SAE-AMS-2700	80 µin
Coupling Nut Material and Plating	Passivated Stainless Steel	Brass, Tri-Metal
Coupling Nut Plating Specification	SAE-AMS-2700	80 µin

Compliance Certifications (see [product page](#) for current document)

Plotted and Other Data

Notes:

Click the following link (or enter part number in "SEARCH" on website) to obtain additional part information including price, inventory and certifications: [SMA Male to TNC Male Low Loss Cable Using LMR-240-UF Coax with Times Microwave Components PE3C3076](#)



SMA Male to TNC Male Low Loss Cable Using LMR-240-UF Coax with Times Microwave Components

TECHNICAL DATA SHEET

PE3C3076

How to Order

Part Number Configuration:

PE3C3076

- **xx**

uu

Unit of Measure:

cm = Centimeters

<blank> = Inches

Length

Base Number

Example: PE3C3076-12 = 12 inches long cable
PE3C3076-100cm = 100 cm long cable

SMA Male to TNC Male Low Loss Cable Using LMR-240-UF Coax with Times Microwave Components from Pasternack Enterprises has same day shipment for domestic and International orders. Our RF, microwave and millimeter wave products maintain a 99.4% availability and are part of the broadest selection in the industry.

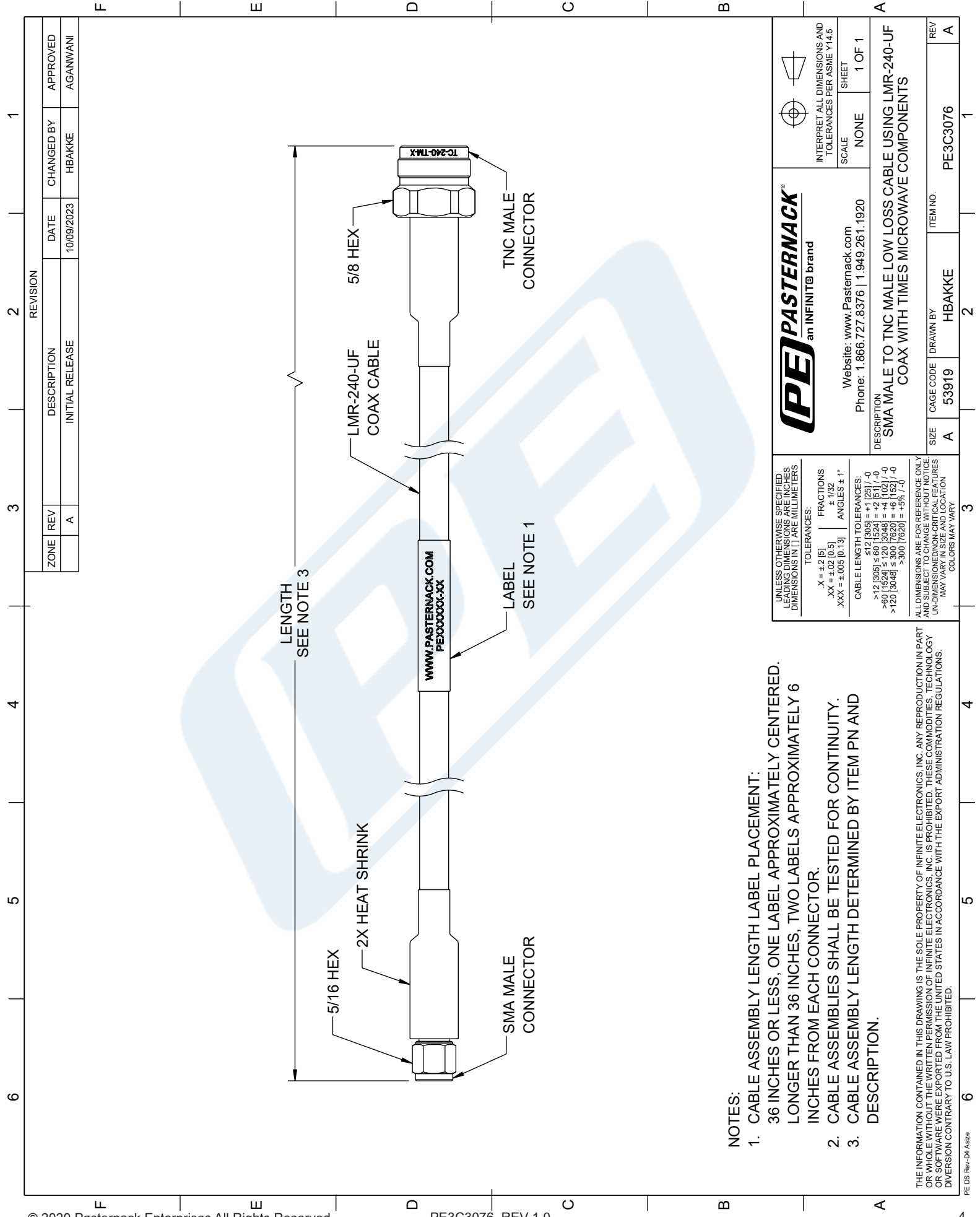
Click the following link (or enter part number in "SEARCH" on website) to obtain additional part information including price, inventory and certifications: [SMA Male to TNC Male Low Loss Cable Using LMR-240-UF Coax with Times Microwave Components PE3C3076](#)

URL: <https://www.pasternack.com/sma-male-to-tnc-male-low-loss-cable-using-lmr-240-uf-pe3c3076-p.aspx>

The information contained in this document is accurate to the best of our knowledge and representative of the part described herein. It may be necessary to make modifications to the part and/or the documentation of the part, in order to implement improvements. Pasternack reserves the right to make such changes as required. Unless otherwise stated, all specifications are nominal. Pasternack does not make any representation or warranty regarding the suitability of the part described herein for any particular purpose, and Pasternack does not assume any liability arising out of the use of any part or documentation.

PE3C3076 CAD Drawing

SMA Male to TNC Male Low Loss Cable Using LMR-240-UF Coax with Times Microwave Components



LENGTH
SEE NOTE 3

5/16 HEX

2X HEAT SHRINK

LMR-240-UF
COAX CABLE

5/8 HEX

WWW.PASTERNAK.COM
PE3C3076-XX

SMA MALE
CONNECTOR

TNC MALE
CONNECTOR

LABEL
SEE NOTE 1

NOTES:

1. CABLE ASSEMBLY LENGTH LABEL PLACEMENT:
36 INCHES OR LESS, ONE LABEL APPROXIMATELY CENTERED,
LONGER THAN 36 INCHES, TWO LABELS APPROXIMATELY 6
INCHES FROM EACH CONNECTOR.
2. CABLE ASSEMBLIES SHALL BE TESTED FOR CONTINUITY.
3. CABLE ASSEMBLY LENGTH DETERMINED BY ITEM PN AND
DESCRIPTION.

THE INFORMATION CONTAINED IN THIS DRAWING IS THE SOLE PROPERTY OF INFINITE ELECTRONICS, INC. ANY REPRODUCTION IN PART OR WHOLE WITHOUT THE WRITTEN PERMISSION OF INFINITE ELECTRONICS, INC. IS PROHIBITED. THESE COMMODITIES, TECHNOLOGY OR SOFTWARE WERE EXPORTED FROM THE UNITED STATES IN ACCORDANCE WITH THE EXPORT ADMINISTRATION REGULATIONS. DIVERSION CONTRARY TO U.S. LAW PROHIBITED.

UNLESS OTHERWISE SPECIFIED LENGTHS DIMENSIONS ARE IN INCHES DIMENSIONS IN PARENTHESES ARE IN MILLIMETERS	
TOLERANCES:	FRACTIONS
X = ±.2 [5]	±.1/32
XX = ±.02 [0.5]	±.010
XXX = ±.005 [0.13]	ANGLES ± 1°
CABLE LENGTH TOLERANCES:	
>12 [305] ≤ 5/16 [8.0]	±.125 [-0]
>12 [305] ≤ 5/8 [15.9]	±.25 [-0]
>60 [1524] ≤ 120 [3048]	±.4 [102] [-0]
>120 [3048] ≤ 300 [7620]	±.6 [152] [-0]
>300 [7620]	±.9 [-0]

(PE) PASTERNAK
an INFINIT@ brand

Website: www.Pasternack.com
Phone: 1.866.727.8376 | 1.949.261.1920

DESCRIPTION
SMA MALE TO TNC MALE LOW LOSS CABLE USING LMR-240-UF
COAX WITH TIMES MICROWAVE COMPONENTS

INTERPRET ALL DIMENSIONS AND TOLERANCES PER ASME Y14.5	SHEET
SCALE	NONE
1 OF 1	

SIZE	CAGE CODE	DRAWN BY	ITEM NO.	REV
A	53919	HBAKKE	PE3C3076	A