

SMA Male to TNC Male Low Loss Cable Using LMR-240-UF Coax , LF Solder

RF Cable Assemblies Technical Data Sheet

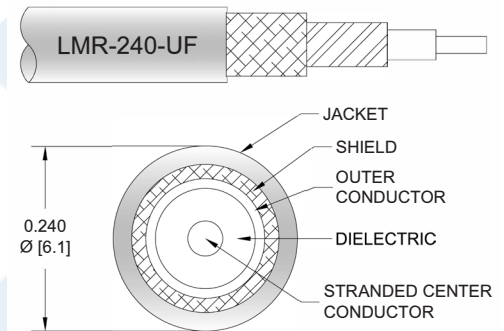
PE3C3076LF

Configuration

- Connector 1: SMA Male
- Connector 2: TNC Male
- Cable Type: LMR-240-UF

Features

- Max Frequency 5.8 GHz
- 84% Phase Velocity
- Double Shielded
- PE Jacket



Applications

- General Purpose
- Laboratory Use

Description

Pasternack's PE3C3076LF SMA male to TNC male cable using LMR-240-UF coax is part of our full line of RF components available for same-day shipping. Pasternack's flexible RF cable assemblies are ideal for applications where tight bends and flexure are required. This Pasternack SMA to TNC cable assembly has a male to male gender configuration with 50 ohm flexible LMR-240-UF coax. The PE3C3076LF SMA male to TNC male cable assembly operates to 5.8 GHz. The double shielding of this Pasternack cable assembly provides excellent shielding effectiveness.

Custom versions of most RF cable assemblies can be built and shipped same day. Custom cable assembly lengths can be obtained by specifying the desired length on the web site at time of order or by contacting a sales representative. Other available RF cable assembly value added services include connector orientation or clocking, heat shrink booting and custom labeling. RF testing can also be performed to document the electrical performance of your cable assembly.

Click the following link (or enter part number in "SEARCH" on website) to obtain additional part information including price, inventory and certifications: [SMA Male to TNC Male Low Loss Cable Using LMR-240-UF Coax , LF Solder PE3C3076LF](#)

SMA Male to TNC Male Low Loss Cable
Using LMR-240-UF Coax , LF Solder

RF Cable Assemblies Technical Data Sheet

PE3C3076LF

Electrical Specifications

Description	Minimum	Typical	Maximum	Units
Frequency Range	DC		5.8	GHz
VSWR			1.5:1	
Velocity of Propagation		84		%
Capacitance		24.2 [79.4]		pF/ft [pF/m]

Specifications by Frequency

Description	F1	F2	F3	F4	F5	Units
Frequency	0.25	0.5	1	2.5	5.8	GHz
Insertion Loss (Max.)	0.05	0.07	0.1	0.16	0.25	dB/ft
	0.16	0.23	0.33	0.52	0.82	

Electrical Specification Notes:

Insertion Loss does not include the loss of the connectors. Insertion Loss is estimated as 0.1 dB per connector.

Mechanical Specifications

Cable Assembly

Weight 0.059 lbs [26.76 g]

Cable

Cable Type LMR-240-UF
 Impedance 50 Ohms
 Inner Conductor Type Solid
 Dielectric Type PE (F)
 Number of Shields 2
 Shield Layer 1 Tinned Copper
 Shield Layer 2 Aluminum Tape
 Jacket Material PE, Black

One Time Minimum Bend Radius 0.75 in [19.05 mm]
 Repeated Minimum Bend Radius 2.5 in [63.5 mm]

Click the following link (or enter part number in "SEARCH" on website) to obtain additional part information including price, inventory and certifications: [SMA Male to TNC Male Low Loss Cable Using LMR-240-UF Coax , LF Solder PE3C3076LF](#)

SMA Male to TNC Male Low Loss Cable
 Using LMR-240-UF Coax , LF Solder

RF Cable Assemblies Technical Data Sheet

PE3C3076LF

Connectors

Description	Connector 1	Connector 2
Type	SMA Male	TNC Male
Specification	MIL-STD-348	
Impedance	50 Ohms	50 Ohms
Contact Material and Plating	Beryllium Copper, Gold	Brass, Gold
Contact Plating Specification	ASTM B488	
Dielectric Type	Teflon	Teflon
Body Material and Plating	Passivated Stainless Steel	Brass, Tri-Metal
Body Plating Specification	SAE-AMS-2700	
Coupling Nut Material and Plating	Passivated Stainless Steel	Brass, Tri-Metal
Coupling Nut Plating Specification	SAE-AMS-2700	

Compliance Certifications (see [product page](#) for current document)

Plotted and Other Data

Notes:

Click the following link (or enter part number in "SEARCH" on website) to obtain additional part information including price, inventory and certifications: [SMA Male to TNC Male Low Loss Cable Using LMR-240-UF Coax , LF Solder PE3C3076LF](#)

SMA Male to TNC Male Low Loss Cable
Using LMR-240-UF Coax , LF Solder

RF Cable Assemblies Technical Data Sheet

PE3C3076LF

How to Order

Part Number Configuration:

PE3C3076LF - xx uu

Unit of Measure:
cm = Centimeters
<blank> = Inches
Length
Base Number

Example: PE3C3076LF-12 = 12 inches long cable
PE3C3076LF-100cm = 100 cm long cable

SMA Male to TNC Male Low Loss Cable Using LMR-240-UF Coax , LF Solder from Pasternack Enterprises has same day shipment for domestic and International orders. Our RF, microwave and millimeter wave products maintain a 99.4% availability and are part of the broadest selection in the industry.

Click the following link (or enter part number in "SEARCH" on website) to obtain additional part information including price, inventory and certifications: [SMA Male to TNC Male Low Loss Cable Using LMR-240-UF Coax , LF Solder PE3C3076LF](#)

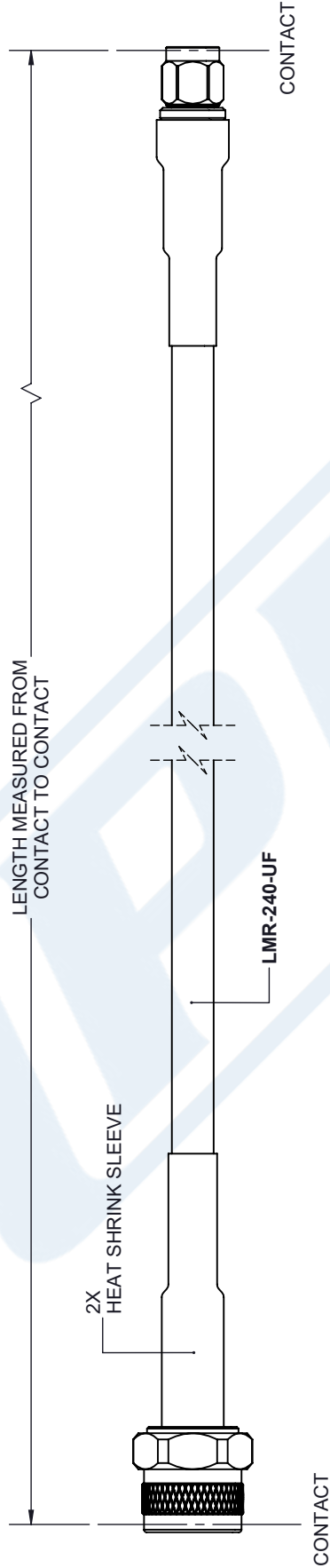
URL: <https://www.pasternack.com/sma-male-tnc-male-lmr240uf-cable-assembly-pe3c3076lf-p.aspx>

The information contained in this document is accurate to the best of our knowledge and representative of the part described herein. It may be necessary to make modifications to the part and/or the documentation of the part, in order to implement improvements. Pasternack reserves the right to make such changes as required. Unless otherwise stated, all specifications are nominal. Pasternack does not make any representation or warranty regarding the suitability of the part described herein for any particular purpose, and Pasternack does not assume any liability arising out of the use of any part or documentation.

PE3C3076LF CAD Drawing

SMA Male to TNC Male Low Loss Cable Using LMR-240-UF Coax , LF Solder

REVISIONS			
REV.	DESCRIPTION	DATE	APPROVED
A	INITIAL RELEASE	1/21/2021	S. ELLIS



TNC MALE

SMA MALE

UNLESS OTHERWISE SPECIFIED LEADING DIMENSIONS ARE INCHES DIMENSIONS IN [] ARE MILLIMETERS

TOLERANCES:

.X = ±.2	[.008]	FRACTIONS	± 1/32
.XX = ±.02	[.51]	ANGLES ± 1°	
.XXX = ±.005	[.13]	CABLE LENGTH (L) TOLERANCES:	
		L ≤ 12 [305]	± +1 [25] / -0
		12 [305] < L ≤ 60 [1524]	± +2 [51] / -0
		60 [1524] < L ≤ 120 [3048]	± +4 [102] / -0
		120 [3048] < L ≤ 300 [7620]	± +6 [152] / -0
		300 [7620] < L	± +5%L / -0

ALL DIMENSIONS SHOWN ARE FOR REFERENCE ONLY.

PE PASTERNAK
an INFINITE® brand

Pasternack Enterprises, Inc.
P. O. Box 16759, Irvine, CA 92623.
Phone: 1.949.261.1920 | 1.866.727.8376
Fax: 1.949.261.7451
Website: www.pasternack.com
E-mail: sales@pasternack.com

SIZE [CAGE CODE] DRAWN BY ITEM NO.
A 53919 K.DANG PE3C3076LF

THIRD-ANGLE PROJECTION

THE INFORMATION AND DESIGN IN THIS DOCUMENT IS THE PROPERTY OF PASTERNAK CORPORATION ALL RIGHTS RESERVED.

SHEET 1 OF 1

SCALE N/A

REV A

THESE COMMODITIES, TECHNOLOGY OR SOFTWARE WERE EXPORTED FROM THE UNITED STATES IN ACCORDANCE WITH THE EXPORT ADMINISTRATION REGULATIONS. DIVERSION CONTRARY TO U.S. LAW PROHIBITED.