



TNC Female Bulkhead to BNC Male Cable Using RG174 Coax

RF Cable Assemblies Technical Data Sheet

PE3C3396

Configuration

- Connector 1: TNC Female Bulkhead
- Connector 2: BNC Male
- Cable Type: RG174

Electrical Specifications

Description	Minimum	Typical	Maximum	Units
Frequency Range	DC		1,000	MHz
VSWR			1.4:1	
Velocity of Propagation		66		%
Capacitance		31.1 [102.03]		pF/ft [pF/m]

Specifications by Frequency

Description	F1	F2	F3	F4	F5	Units
Frequency	50	100	250	500	1,000	MHz
Insertion Loss (Max.)	1.04	1.08	1.14	1.21	1.32	dB/ft
	3.41	3.54	3.74	3.97	4.33	
VSWR (Max.)	1.4:1	1.4:1	1.4:1	1.4:1	1.4:1	dB/m
Return Loss (Max.)	15.56	15.563	15.563	15.563	15.563	dB

Mechanical Specifications

Cable Assembly

Diameter 0.689 in [17.5 mm]

Cable

Cable Type RG174
 Impedance 50 Ohms
 Inner Conductor Type Stranded
 Inner Conductor Material and Plating Copper Clad Steel, Silver
 Dielectric Type PE (LD)
 Number of Shields 1
 Shield Layer 1 Tinned Copper Braid

Click the following link (or enter part number in "SEARCH" on website) to obtain additional part information including price, inventory and certifications: [TNC Female Bulkhead to BNC Male Cable Using RG174 Coax PE3C3396](#)



TNC Female Bulkhead to BNC Male Cable Using RG174 Coax

RF Cable Assemblies Technical Data Sheet

PE3C3396

Jacket Material PVC, Black
Jacket Diameter 0.11 in [2.79 mm]

Connectors

Description	Connector 1	Connector 2
Type	TNC Female Bulkhead	BNC Male
Specification	MIL-STD-348A	MIL-STD-348A
Impedance	50 Ohms	50 Ohms
Contact Material and Plating	Brass, Gold	Brass, Gold
Contact Plating Specification	30 µin minimum	50µ in. minimum
Dielectric Type	PTFE	Teflon
Body Material and Plating	Brass, Nickel	Brass, Nickel
Body Plating Specification	100 µin minimum	100µ in. minimum
Coupling Nut Material and Plating		Brass, Nickel
Coupling Nut Plating Specification		100µ in. minimum

Mechanical Specification Notes:

*All cable assemblies have a length tolerance of 1.5% or ± 3/8", whichever is greater.

Environmental Specifications

Temperature

Operating Range -40 to +80 deg C

Compliance Certifications (see [product page](#) for current document)

Plotted and Other Data

Notes:

Click the following link (or enter part number in "SEARCH" on website) to obtain additional part information including price, inventory and certifications: [TNC Female Bulkhead to BNC Male Cable Using RG174 Coax PE3C3396](#)



TNC Female Bulkhead to BNC Male Cable Using RG174 Coax

RF Cable Assemblies Technical Data Sheet

PE3C3396

How to Order

Part Number Configuration:

PE3C3396

- **xx**

uu

Unit of Measure:

cm = Centimeters

<blank> = Inches

Length

Base Number

Example: PE3C3396-12 = 12 inches long cable
PE3C3396-100cm = 100 cm long cable

TNC Female Bulkhead to BNC Male Cable Using RG174 Coax from Pasternack Enterprises has same day shipment for domestic and International orders. Our RF, microwave and millimeter wave products maintain a 99.4% availability and are part of the broadest selection in the industry.

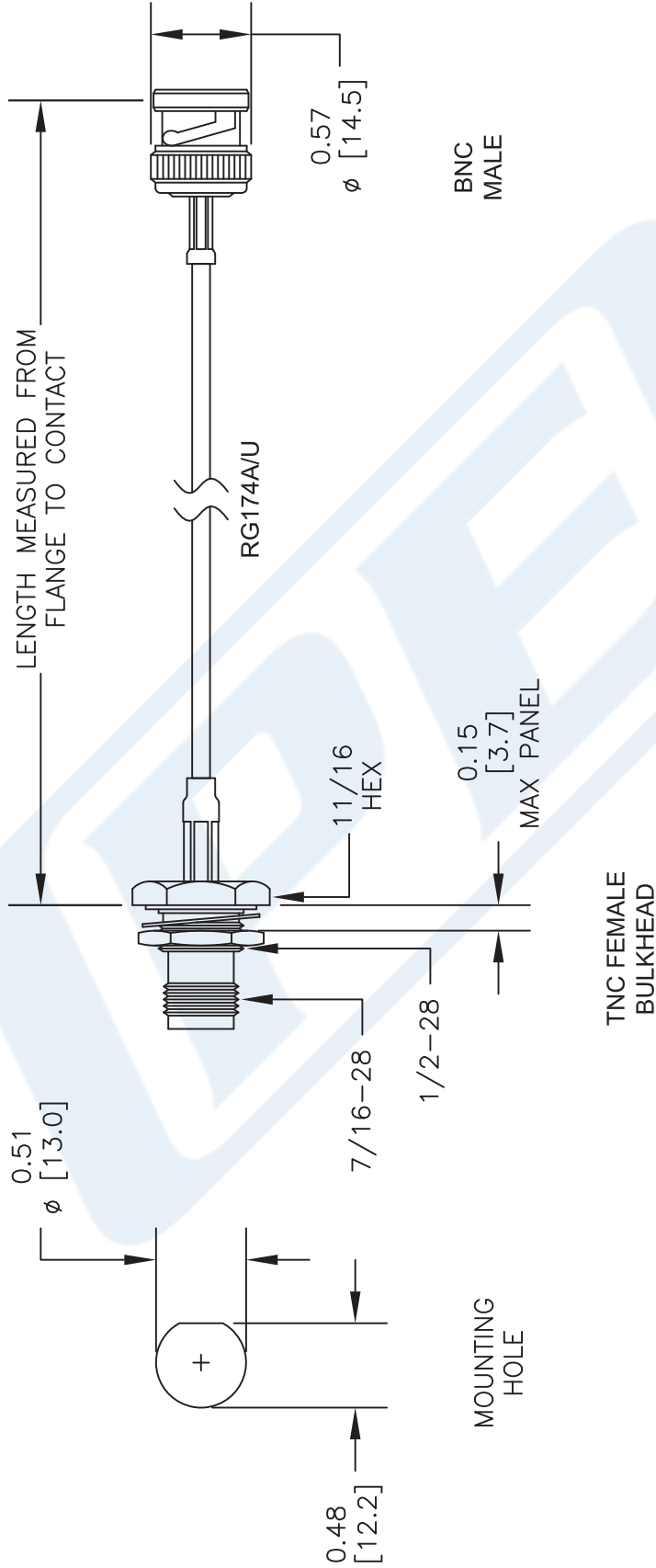
Click the following link (or enter part number in "SEARCH" on website) to obtain additional part information including price, inventory and certifications: [TNC Female Bulkhead to BNC Male Cable Using RG174 Coax PE3C3396](https://www.pasternack.com/tnc-female-bnc-male-rg174au-cable-assembly-pe3c3396-p.aspx)

URL: <https://www.pasternack.com/tnc-female-bnc-male-rg174au-cable-assembly-pe3c3396-p.aspx>

The information contained in this document is accurate to the best of our knowledge and representative of the part described herein. It may be necessary to make modifications to the part and/or the documentation of the part, in order to implement improvements. Pasternack reserves the right to make such changes as required. Unless otherwise stated, all specifications are nominal. Pasternack does not make any representation or warranty regarding the suitability of the part described herein for any particular purpose, and Pasternack does not assume any liability arising out of the use of any part or documentation.

PE3C3396 CAD Drawing

TNC Female Bulkhead to BNC Male Cable Using RG174 Coax



DWG TITLE

PE3C3396

NOTES:
 1. UNLESS OTHERWISE SPECIFIED ALL DIMENSIONS ARE NOMINAL.
 2. ALL SPECIFICATIONS ARE SUBJECT TO CHANGE WITHOUT NOTICE AT ANY TIME.
 3. DIMENSIONS ARE IN INCHES [mm].

CAGE CODE 53919

CAD FILE 110316

SCALE N/A

SIZE A

2233

PE PASTERNAK
 THE ENGINEER'S RF SOURCE
 Pasternack Enterprises, Inc.
 P.O. Box 16759 | Irvine | CA | 92623
 Phone: (949) 261-1920 | Fax: (949) 261-7451
 Website: www.pasternack.com | E-Mail: sales@pasternack.com