



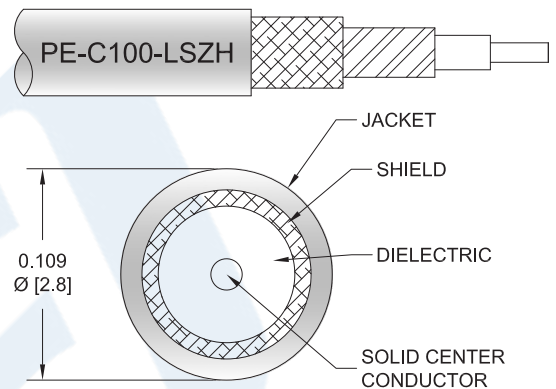
SMB Plug to BNC Male Cable Using PE-C100-LSZH Coax

RF Cable Assemblies Technical Data Sheet

PE3C3444

**Configuration**

- Connector 1: SMB Plug
- Connector 2: BNC Male
- Cable Type: PE-C100-LSZH



**Electrical Specifications**

Description	Minimum	Typical	Maximum	Units
Frequency Range	DC		3	GHz
VSWR			1.4:1	
Velocity of Propagation		66		%
RF Shielding	90			dB
Capacitance		30.8 [101.05]		pF/ft [pF/m]
Operating Voltage (AC)			335	Vrms
Jacket Spark			2,000	Vrms

**Specifications by Frequency**

Description	F1	F2	F3	F4	F5	Units
Frequency	0.1	0.25	0.5	1	3	GHz
Insertion Loss (Max.)	1.06	1.12	1.17	1.24	1.43	dB/ft
	3.48	3.67	3.84	4.07	4.69	dB/m
Insertion Loss (Typ.)	0.27	0.315	0.366	0.436	0.689	dB/ft
	0.89	1.03	1.2	1.43	2.26	dB/m
VSWR (Max.)	1.4:1	1.4:1	1.4:1	1.4:1	1.4:1	
Return Loss (Max.)	15.56	15.563	15.563	15.563	15.563	dB

Click the following link (or enter part number in "SEARCH" on website) to obtain additional part information including price, inventory and certifications: [SMB Plug to BNC Male Cable Using PE-C100-LSZH Coax PE3C3444](#)



## SMB Plug to BNC Male Cable Using PE-C100-LSZH Coax

### RF Cable Assemblies Technical Data Sheet

PE3C3444

#### Mechanical Specifications

##### Cable Assembly

Diameter 0.57 in [14.48 mm]

##### Cable

Cable Type PE-C100-LSZH  
 Impedance 50 Ohms  
 Inner Conductor Type Solid  
 Inner Conductor Material and Plating Copper Clad Steel  
 Dielectric Type PE  
 Number of Shields 2  
 Shield Layer 1 Aluminum Tape  
 Shield Layer 2 Tinned Copper Braid  
 Jacket Material LSZH, Black  
 Jacket Diameter 0.109 in [2.77 mm]

One Time Minimum Bend Radius 0.25 in [6.35 mm]  
 Repeated Minimum Bend Radius 1 in [25.4 mm]  
 Bending Moment 0.1 lbs-ft [0.14 N-m]  
 Flat Plate Crush 10 lbs/in [0.18 Kg/mm]  
 Tensile Strength 15 lbs [6.8 Kg]

##### Connectors

Description	Connector 1	Connector 2
Type	SMB Plug	BNC Male
Specification	MIL-STD-348A	MIL-STD-348A
Impedance	50 Ohms	50 Ohms
Contact Material and Plating	Beryllium Copper, Gold	Brass, Gold
Contact Plating Specification	30 µin minimum	50µ in. minimum
Dielectric Type	PTFE	Teflon
Body Material and Plating	Brass, Nickel	Brass, Nickel
Body Plating Specification	100 µin minimum	100µ in. minimum
Coupling Nut Material and Plating	Brass, Nickel	Brass, Nickel
Coupling Nut Plating Specification	100 µin minimum	100µ in. minimum

##### Mechanical Specification Notes:

\*All cable assemblies have a length tolerance of 1.5% or ± 3/8", whichever is greater.

#### Environmental Specifications

##### Temperature

Operating Range -40 to +85 deg C

Click the following link (or enter part number in "SEARCH" on website) to obtain additional part information including price, inventory and certifications: [SMB Plug to BNC Male Cable Using PE-C100-LSZH Coax PE3C3444](#)



## SMB Plug to BNC Male Cable Using PE-C100-LSZH Coax

### RF Cable Assemblies Technical Data Sheet

PE3C3444

**Compliance Certifications** (see [product page](#) for current document)

#### Plotted and Other Data

Notes:

- Values at 25°C, sea level.

#### How to Order

Part Number Configuration:

**PE3C3444**

- **xx**

**uu**

Unit of Measure:

cm = Centimeters

<blank> = Inches

Length

Base Number

Example: PE3C3444-12 = 12 inches long cable  
PE3C3444-100cm = 100 cm long cable

SMB Plug to BNC Male Cable Using PE-C100-LSZH Coax from Pasternack Enterprises has same day shipment for domestic and International orders. Our RF, microwave and millimeter wave products maintain a 99.4% availability and are part of the broadest selection in the industry.

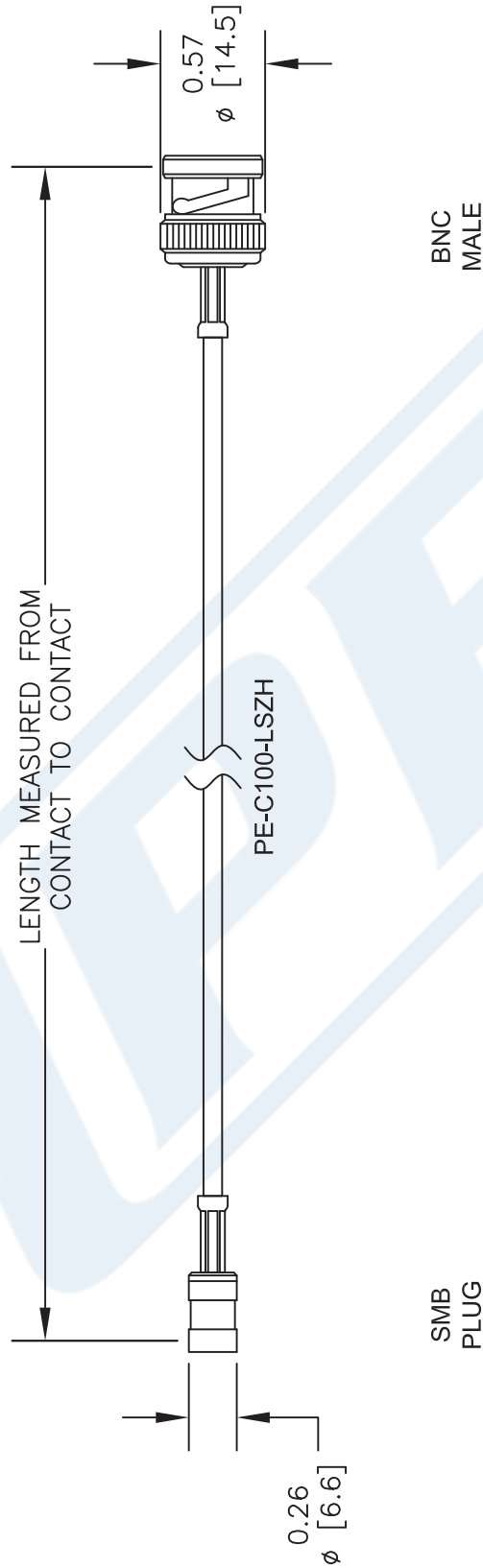
Click the following link (or enter part number in "SEARCH" on website) to obtain additional part information including price, inventory and certifications: [SMB Plug to BNC Male Cable Using PE-C100-LSZH Coax PE3C3444](#)

URL: <https://www.pasternack.com/smb-plug-bnc-male-pe-c100-lszh-cable-assembly-pe3c3444-p.aspx>

The information contained in this document is accurate to the best of our knowledge and representative of the part described herein. It may be necessary to make modifications to the part and/or the documentation of the part, in order to implement improvements. Pasternack reserves the right to make such changes as required. Unless otherwise stated, all specifications are nominal. Pasternack does not make any representation or warranty regarding the suitability of the part described herein for any particular purpose, and Pasternack does not assume any liability arising out of the use of any part or documentation.

# PE3C3444 CAD Drawing

## SMB Plug to BNC Male Cable Using PE-C100-LSZH Coax



**NOTES:**  
 1. UNLESS OTHERWISE SPECIFIED ALL DIMENSIONS ARE NOMINAL.  
 2. ALL SPECIFICATIONS ARE SUBJECT TO CHANGE WITHOUT NOTICE AT ANY TIME.  
 3. DIMENSIONS ARE IN INCHES [mm].

DWG TITLE		CAGE CODE		CAD FILE		SCALE		SIZE	
<b>PE3C3444</b>		53919		111816		N/A		A	

**PE PASTERNAK**  
 THE ENGINEER'S RF SOURCE

Pasternack Enterprises, Inc.  
 P.O. Box 16759 | Irvine | CA | 92623

Phone: (949) 261-1920 | Fax: (949) 261-7451  
 Website: www.pasternack.com | E-Mail: sales@pasternack.com