



BNC Male to N Male Low Loss Cable Using LMR-400 Coax with Times Microwave Components

TECHNICAL DATA SHEET

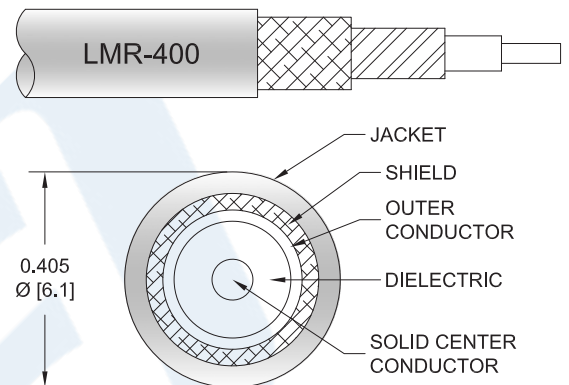
PE3C4623

Configuration

- Connector 1: BNC Male
- Connector 2: N Male
- Cable Type: LMR-400
- Coax Flex Type: Flexible

Features

- Max Frequency 4 GHz
- Shielding Effectivity > 90 dB
- 85% Phase Velocity
- Double Shielded
- PE Jacket



Applications

- General Purpose
- Laboratory Use

Description

Pasternack's PE3C4623 BNC male to type N male cable using LMR-400 coax is part of our full line of RF components available for same-day shipping. Pasternack's flexible RF cable assemblies are ideal for applications where tight bends and flexure are required. This Pasternack BNC to type N cable assembly has a male to male gender configuration with 50 ohm flexible LMR-400 coax. The PE3C4623 BNC male to type N male cable assembly operates to 4 GHz. The double shielding of this Pasternack cable assembly provides excellent shielding effectiveness of better than 90 dB.

Custom versions of most RF cable assemblies can be built and shipped same day. Custom cable assembly lengths can be obtained by specifying the desired length on the web site at time of order or by contacting a sales representative. Other available RF cable assembly value added services include connector orientation or clocking, heat shrink booting and custom labeling. RF testing can also be performed to document the electrical performance of your cable assembly.

Click the following link (or enter part number in "SEARCH" on website) to obtain additional part information including price, inventory and certifications: [BNC Male to N Male Low Loss Cable Using LMR-400 Coax with Times Microwave Components PE3C4623](#)



BNC Male to N Male Low Loss Cable Using LMR-400 Coax with Times Microwave Components

TECHNICAL DATA SHEET

PE3C4623

Electrical Specifications

Description	Minimum	Typical	Maximum	Units
Frequency Range	DC		4	GHz
VSWR			1.4:1	
Velocity of Propagation		85		%
RF Shielding	90			dB
Group Delay		1.2 [3.94]		ns/ft [ns/m]
Capacitance		23.9 [78.41]		pF/ft [pF/m]
Inductance		0.06 [0.2]		uH/ft [uH/m]
DC Resistance Inner Conductor		1.39 [4.56]		Ω /1000ft [Ω /Km]
DC Resistance Outer Conductor		1.65 [5.41]		Ω /1000ft [Ω /Km]
Jacket Spark			8,000	Vrms

Specifications by Frequency

Part Number	Length	Description	F1	F2	F3	F4	F5	Units	Weight (lbs)
		Frequency	100	250	500	1000	4000	MHz	
PE3C4623	Custom Lengths Available	Insertion Loss (Typ.)	0.01	0.02	0.03	0.04	0.09	dB/ft	
			0.04	0.07	0.1	0.14	0.29	dB/m	
PE3C4623-12	12 inch	Insertion Loss (Typ.)	0.17	0.17	0.18	0.2	0.24	dB	0.245
PE3C4623-24	24 inch	Insertion Loss (Typ.)	0.18	0.19	0.21	0.24	0.33	dB	0.313
PE3C4623-36	36 inch	Insertion Loss (Typ.)	0.19	0.21	0.24	0.28	0.41	dB	0.38
PE3C4623-48	48 inch	Insertion Loss (Typ.)	0.2	0.23	0.27	0.32	0.5	dB	0.447
PE3C4623-60	60 inch	Insertion Loss (Typ.)	0.21	0.25	0.29	0.36	0.58	dB	0.514

The insertion loss data for the base model does not include loss due to the connectors. Each length includes insertion loss due to the connectors.

Loss due to Connector 1:	0.1 dB
Loss due to Connector 2:	0.05 dB
Base Weight:	0.245 pounds
Additional Weight per Inch:	0.00559 pounds

Mechanical Specifications

Cable Assembly

Weight 0.245 lbs [111.13 g]

Click the following link (or enter part number in "SEARCH" on website) to obtain additional part information including price, inventory and certifications: [BNC Male to N Male Low Loss Cable Using LMR-400 Coax with Times Microwave Components PE3C4623](#)



BNC Male to N Male Low Loss Cable Using LMR-400 Coax with Times Microwave Components

TECHNICAL DATA SHEET

PE3C4623

Cable

Cable Type	LMR-400
Impedance	50 Ohms
Inner Conductor Type	Solid
Inner Conductor Material and Plating	Copper Clad Aluminum
Dielectric Type	PE (F)
Number of Shields	2
Shield Layer 1	Aluminum Tape
Shield Layer 2	Tinned Copper Braid
Jacket Material	PE, Black
Jacket Diameter	0.405 in [10.29 mm]
One Time Minimum Bend Radius	1 in [25.4 mm]
Repeated Minimum Bend Radius	4 in [101.6 mm]
Bending Moment	0.5 lbs-ft [0.68 N-m]
Flat Plate Crush	40 lbs/in [0.71 Kg/mm]
Tensile Strength	160 lbs [72.57 Kg]

Connectors

Description	Connector 1	Connector 2
Type	BNC Male Bayonet	N Male Threaded
Impedance	50 Ohms	50 Ohms
Contact Material and Plating	Copper, Gold	Beryllium Bronze, Gold
Contact Plating Specification		50µ in. minimum
Dielectric Type	PTFE	PTFE
Body Material and Plating	Brass, Tri-Metal	Brass, Tri-Metal
Body Plating Specification		100µ in. minimum
Coupling Nut Material and Plating	Brass, Tri-Metal	Brass, Tri-Metal
Coupling Nut Plating Specification		100µ in. minimum
Torque		18.417 ft-lbs [24.97 Nm]

Environmental Specifications

Temperature

Operating Range -40 to +85 deg C

Compliance Certifications (see [product page](#) for current document)

Plotted and Other Data

Notes:

Click the following link (or enter part number in "SEARCH" on website) to obtain additional part information including price, inventory and certifications: [BNC Male to N Male Low Loss Cable Using LMR-400 Coax with Times Microwave Components PE3C4623](#)



BNC Male to N Male Low Loss Cable Using LMR-400 Coax with Times Microwave Components

TECHNICAL DATA SHEET

PE3C4623

How to Order

Part Number Configuration:

PE3C4623

- **xx**

uu

Unit of Measure:
cm = Centimeters
<blank> = Inches
Length
Base Number

Example: PE3C4623-12 = 12 inches long cable
PE3C4623-100cm = 100 cm long cable

BNC Male to N Male Low Loss Cable Using LMR-400 Coax with Times Microwave Components from Pasternack Enterprises has same day shipment for domestic and International orders. Our RF, microwave and millimeter wave products maintain a 99.4% availability and are part of the broadest selection in the industry.

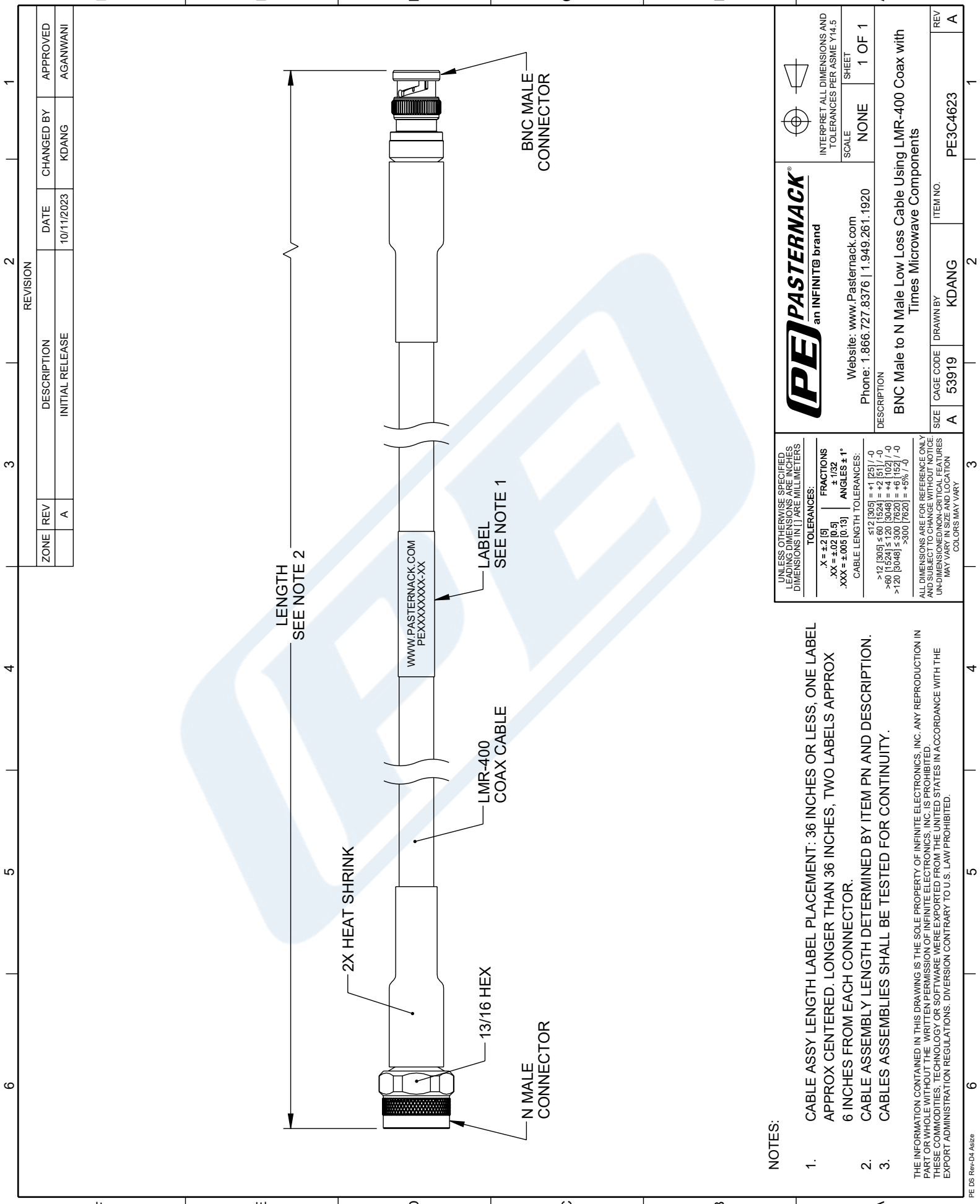
Click the following link (or enter part number in "SEARCH" on website) to obtain additional part information including price, inventory and certifications: [BNC Male to N Male Low Loss Cable Using LMR-400 Coax with Times Microwave Components PE3C4623](#)

URL: <https://www.pasternack.com/bnc-male-to-n-male-low-loss-cable-using-lmr-400-pe3c4623-p.aspx>

The information contained in this document is accurate to the best of our knowledge and representative of the part described herein. It may be necessary to make modifications to the part and/or the documentation of the part, in order to implement improvements. Pasternack reserves the right to make such changes as required. Unless otherwise stated, all specifications are nominal. Pasternack does not make any representation or warranty regarding the suitability of the part described herein for any particular purpose, and Pasternack does not assume any liability arising out of the use of any part or documentation.

PE3C4623 CAD Drawing

F BNC Male to N Male E Low Loss Cable D Using LMR-400 Coax with Times Microwave Components B A



LENGTH
SEE NOTE 2

2X HEAT SHRINK

WWW.PASTERNAK.COM
PEXXXXXXXX-XX

LABEL
SEE NOTE 1

LMR-400
COAX CABLE

13/16 HEX

N MALE
CONNECTOR

BNC MALE
CONNECTOR

NOTES:

1. CABLE ASSY LENGTH LABEL PLACEMENT: 36 INCHES OR LESS, ONE LABEL APPROX CENTERED. LONGER THAN 36 INCHES, TWO LABELS APPROX 6 INCHES FROM EACH CONNECTOR.
2. CABLE ASSEMBLY LENGTH DETERMINED BY ITEM PN AND DESCRIPTION.
3. CABLES ASSEMBLIES SHALL BE TESTED FOR CONTINUITY.

THE INFORMATION CONTAINED IN THIS DRAWING IS THE SOLE PROPERTY OF INFINITE ELECTRONICS, INC. ANY REPRODUCTION IN PART OR WHOLE WITHOUT THE WRITTEN PERMISSION OF INFINITE ELECTRONICS, INC. IS PROHIBITED. THESE COMMODITIES, TECHNOLOGY OR SOFTWARE WERE EXPORTED FROM THE UNITED STATES IN ACCORDANCE WITH THE EXPORT ADMINISTRATION REGULATIONS. DIVERSION CONTRARY TO U.S. LAW PROHIBITED.

UNLESS OTHERWISE SPECIFIED LEADING DIMENSIONS ARE INCHES DIMENSIONS IN [] ARE MILLIMETERS	
TOLERANCES:	
.X = ± 2 [5]	FRACTIONS ± 1/32
.XX = ± 02 [0.13]	ANGLES ± 1°
.XXX = ± 005 [0.13]	
CABLE LENGTH TOLERANCES:	
<12 [305]	± 1 [25] / -0
>12 [305] ≤ 60 [1524]	± 2 [51] / -0
>60 [1524] ≤ 120 [3048]	± 4 [102] / -0
>120 [3048]	± 8 [93] / -0
>300 [7620]	± 16 [78] / -0
ALL DIMENSIONS ARE FOR REFERENCE ONLY AND SUBJECT TO CHANGE WITHOUT NOTICE UNDIMENSIONED NON-CRITICAL FEATURES MAY VARY IN SIZE AND LOCATION COLORS MAY VARY	



Website: www.Pasternack.com
Phone: 1.866.727.8376 | 1.949.261.1920

INTERPRET ALL DIMENSIONS AND TOLERANCES PER ASME Y14.5

SCALE NONE SHEET 1 OF 1

DESCRIPTION
BNC Male to N Male Low Loss Cable Using LMR-400 Coax with Times Microwave Components

SIZE	CABLE CODE	DRAWN BY	ITEM NO.	REV
A	53919	KDANG	PE3C4623	A